



Featuring
Industry Standard
R-410A Refrigerant

R-410A



"Visit www.Rheem.com
for complete details."

14AJM-

14.5 SEER Models

Efficiencies up to 17 SEER/13.50 EER

Nominal Sizes 1 1/2 to 5 Tons

[5.28 kW] to [17.6 kW]

Nine Models

Cooling Capacities

19,600 to 56,500 BTU/HR

[5.74 to 16.56 kW]

14.5 SEER VALUE SERIES CONDENSING UNITS

Features

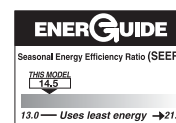
- Painted louvered steel cabinet
- Easily accessible control box
- Condenser coils constructed with copper tubing and enhanced aluminum fins
- Grille/Motor mount for quiet fan operation
- Filter Drier (shipped – not installed)

Applications

Outdoor condensing unit designed for ground level or rooftop installations. These units offer comfort and dependability for single, multi-family and light commercial applications.

Accessories

- Low Pressure Control (RXAC-A07)
- High Pressure Control (RXAB-A07)
- Low Ambient Control (RXAD-A08)
- Compressor Time Delay Control
- Crankcase Heater
- Sound Enclosure



"Proper sizing and installation of equipment is critical to achieve optimal performance. Split system air conditioners and heat pumps must be matched with appropriate coil components to meet ENERGY STAR criteria. Ask your Contractor for details or visit www.energystar.gov."

Model Number Identification

14	A	J	M	18	A	01
14.5 SEER	A = AIR CONDITIONER	VOLTAGE J = 208-230 SINGLE PHASE	DESIGN SERIES M = 1ST DESIGN R-410A	NOMINAL COOLING CAPACITY 18 = 18,000 BTU/HR [5.28 kW] 24 = 24,000 BTU/HR [7.03 kW] 30 = 30,000 BTU/HR [8.79 kW] 36 = 36,000 BTU/HR [10.55 kW] 42 = 42,000 BTU/HR [12.31 kW] 48 = 48,000 BTU/HR [14.07 kW] 49 = 47,000 BTU/HR [13.77 kW] 56 = 54,000 BTU/HR [15.83 kW] 60 = 60,000 BTU/HR [17.58 kW]	CABINET A = FULL METAL JACKET	RHEEM VALUE SERIES

Performance Data @ AHRI Standard Conditions—Cooling

Model Numbers		80°F [26.5°C] DB/67°F [19.5°C] WB Indoor Air 95°F [35°C] DB Outdoor Air					Sound Rating dB	Indoor CFM [L/s]
Outdoor Unit 14AJM	Indoor Coil and/or Air Handler	Total Capacity BTU/H [kW]	Net Sensible BTU/H [kW]	Net Latent BTU/H [kW]	EER	SEER		
Rev. 7/1/10	RCFL-H*2417 ①	19,300 [5.7]	13,850 [4.1]	5,450 [1.6]	12.00	14.50	74	600 [283]
	RHAL-FR18P	19,900 [5.8]	14,750 [4.3]	5,150 [1.5]	12.00	14.50	74	600 [283]
	RHBL-FR24T	20,200 [5.9]	15,050 [4.4]	5,150 [1.5]	13.00	16.00	74	600 [283]
	RCFL-A*2414	19,300 [5.7]	13,850 [4.1]	5,450 [1.6]	12.00	14.50	74	600 [283]
	RCFL-A*2417	19,300 [5.7]	13,850 [4.1]	5,450 [1.6]	12.00	14.50	74	600 [283]
	RCFL-A*2417 (RGFD-06?MCK?)	19,800 [5.8]	14,200 [4.2]	5,600 [1.6]	13.50	16.00	74	600 [283]
	RCFL-A*2417 (RGFD-07?MCK?)	19,800 [5.8]	14,200 [4.2]	5,600 [1.6]	13.50	16.00	74	600 [283]
	RCFL-A*2417 (RGFE-06?MCK?)	19,800 [5.8]	14,250 [4.2]	5,550 [1.6]	13.00	16.00	74	575 [271]
	RCFL-A*2417 (RGFE-07?MCK?)	19,800 [5.8]	14,250 [4.2]	5,550 [1.6]	13.00	16.00	74	600 [283]
	RCFL-A*2417 (RGGD-06?MCK?)	19,800 [5.8]	14,200 [4.2]	5,600 [1.6]	14.00	16.50	74	600 [283]
	RCFL-A*2417 (RGGD-07?MCK?)	19,800 [5.8]	14,200 [4.2]	5,600 [1.6]	13.50	16.50	74	625 [295]
	RCFL-A*2417 (RGGE-06?MCK?)	19,800 [5.8]	14,250 [4.2]	5,550 [1.6]	13.00	16.00	74	625 [295]
	RCFL-A*2417 (RGGE-07?MCK?)	19,800 [5.8]	14,200 [4.2]	5,600 [1.6]	13.00	16.00	74	575 [271]
	RCFL-A*2417 (RGLE-07?AMK?)	19,800 [5.8]	14,200 [4.2]	5,600 [1.6]	13.00	16.00	74	600 [283]
	RCFL-A*2417 (RGLR-07?AMK?)	19,800 [5.8]	14,200 [4.2]	5,600 [1.6]	14.00	16.50	74	600 [283]
	18	RCFL-A*2417 (RGLT-07?AME?)	20,200 [5.9]	14,750 [4.3]	5,450 [1.6]	13.00	16.00	74
RCFL-A*2417 (RGPE-05?BMK?)		19,800 [5.8]	14,250 [4.2]	5,550 [1.6]	13.00	16.00	74	575 [271]
RCFL-A*2417 (RGPE-07?AMK?)		19,800 [5.8]	14,250 [4.2]	5,550 [1.6]	13.00	16.00	74	625 [295]
RCFL-A*2417 (RGPR-05?BMK?)		19,700 [5.8]	14,150 [4.1]	5,550 [1.6]	13.50	16.00	74	600 [283]
RCFL-A*2417 (RGPR-07?AMK?)		19,800 [5.8]	14,200 [4.2]	5,600 [1.6]	14.00	16.50	74	600 [283]
RCFL-A*2417 (RGPT-05?BMK?)		20,000 [5.9]	14,550 [4.3]	5,450 [1.6]	13.00	16.00	74	650 [307]
RCFL-A*2417 (RGPT-07?AME?)		19,800 [5.8]	14,250 [4.2]	5,550 [1.6]	13.00	16.00	74	625 [295]
RCFL-A*2417 (RGTM-06?MAE?)		19,800 [5.8]	14,200 [4.2]	5,600 [1.6]	13.00	16.00	74	575 [271]
ROCA-070E03 (RCFL-A*2417)		19,800 [5.8]	14,200 [4.2]	5,600 [1.6]	13.00	16.00	74	600 [283]
ROLA-070E03 (RCFL-A*2417)		19,800 [5.8]	14,200 [4.2]	5,600 [1.6]	13.00	16.00	74	600 [283]
RCFL-H*2414		19,300 [5.7]	13,850 [4.1]	5,450 [1.6]	12.00	14.50	74	600 [283]
RCFL-H*2417 (RGFD-06?MCK?)		19,800 [5.8]	14,200 [4.2]	5,600 [1.6]	13.50	16.00	74	600 [283]
RCFL-H*2417 (RGFD-07?MCK?)		19,800 [5.8]	14,200 [4.2]	5,600 [1.6]	13.50	16.00	74	600 [283]
RCFL-H*2417 (RGFE-06?MCK?)		19,800 [5.8]	14,250 [4.2]	5,550 [1.6]	13.00	16.00	74	575 [271]
RCFL-H*2417 (RGFE-07?MCK?)		19,800 [5.8]	14,250 [4.2]	5,550 [1.6]	13.00	16.00	74	600 [283]
RCFL-H*2417 (RGGD-06?MCK?)		19,800 [5.8]	14,200 [4.2]	5,600 [1.6]	14.00	16.50	74	600 [283]
RCFL-H*2417 (RGGD-07?MCK?)		19,800 [5.8]	14,200 [4.2]	5,600 [1.6]	13.50	16.50	74	625 [295]
RCFL-H*2417 (RGGE-06?MCK?)		19,800 [5.8]	14,250 [4.2]	5,550 [1.6]	13.00	16.00	74	625 [295]
RCFL-H*2417 (RGGE-07?MCK?)		19,800 [5.8]	14,200 [4.2]	5,600 [1.6]	13.00	16.00	74	575 [271]
RCFL-H*2417 (RGJD-06?MCK?)		19,800 [5.8]	14,200 [4.2]	5,600 [1.6]	14.00	16.50	74	600 [283]
RCFL-H*2417 (RGJD-07?MCK?)		19,800 [5.8]	14,200 [4.2]	5,600 [1.6]	13.50	16.50	74	625 [295]
RCFL-H*2417 (RGJF-06?MCK?)		19,800 [5.8]	14,250 [4.2]	5,550 [1.6]	13.00	16.00	74	625 [295]
RCFL-H*2417 (RGJF-07?MCK?)		19,800 [5.8]	14,200 [4.2]	5,600 [1.6]	13.00	16.00	74	575 [271]
RCFL-H*2417 (RGLE-07?AMK?)		19,800 [5.8]	14,200 [4.2]	5,600 [1.6]	13.00	16.00	74	600 [283]
RCFL-H*2417 (RGLR-07?AMK?)	19,800 [5.8]	14,200 [4.2]	5,600 [1.6]	14.00	16.50	74	600 [283]	

① Highest sales volume tested combination required by D.O.E. test procedures.

[] Designates Metric Conversions

Performance Data @ AHRI Standard Conditions—Cooling (con't.)

Model Numbers		80°F [26.5°C] DB/67°F [19.5°C] WB Indoor Air 95°F [35°C] DB Outdoor Air					Sound Rating dB	Indoor CFM [L/s]
Outdoor Unit 14AJM	Indoor Coil and/or Air Handler	Total Capacity BTU/H [kW]	Net Sensible BTU/H [kW]	Net Latent BTU/H [kW]	EER	SEER		
Rev. 7/1/10	RCFL-H*2417 (RGLT-07?AME?)	20,200 [5.9]	14,750 [4.3]	5,450 [1.6]	13.00	16.00	74	675 [319]
	RCFL-H*2417 (RGPE-05?BMK?)	19,800 [5.8]	14,250 [4.2]	5,550 [1.6]	13.00	16.00	74	575 [271]
	RCFL-H*2417 (RGPE-07?AMK?)	19,800 [5.8]	14,250 [4.2]	5,550 [1.6]	13.00	16.00	74	625 [295]
	RCFL-H*2417 (RGPR-05?BMK?)	19,700 [5.8]	14,150 [4.1]	5,550 [1.6]	13.50	16.00	74	600 [283]
	RCFL-H*2417 (RGPR-07?AMK?)	19,800 [5.8]	14,200 [4.2]	5,600 [1.6]	14.00	16.50	74	600 [283]
	RCFL-H*2417 (RGPT-05?BMK?)	20,000 [5.9]	14,550 [4.3]	5,450 [1.6]	13.00	16.00	74	650 [307]
	RCFL-H*2417 (RGPT-07?AME?)	19,800 [5.8]	14,250 [4.2]	5,550 [1.6]	13.00	16.00	74	625 [295]
	RCFL-H*2417 (RGRM-04?MAE?)	19,800 [5.8]	14,200 [4.2]	5,600 [1.6]	13.50	16.00	74	575 [271]
	RCFL-H*2417 (RGRM-06?MAE?)	19,800 [5.8]	14,200 [4.2]	5,600 [1.6]	13.50	16.50	74	600 [283]
	RCFL-H*2417 (RGRM-07?MAE?)	19,700 [5.8]	14,150 [4.1]	5,550 [1.6]	13.00	16.00	74	625 [295]
	RCFL-H*2417 (RGTM-06?MAE?)	19,800 [5.8]	14,200 [4.2]	5,600 [1.6]	13.00	16.00	74	575 [271]
	ROCA-070E03 (RCFL-H*2417)	19,800 [5.8]	14,200 [4.2]	5,600 [1.6]	13.00	16.00	74	600 [283]
	ROLA-070E03 (RCFL-H*2417)	19,800 [5.8]	14,200 [4.2]	5,600 [1.6]	13.00	16.00	74	600 [283]
	RBHP-17 (RCHL-24A2)	19,200 [5.6]	13,450 [3.9]	5,750 [1.7]	13.00	16.00	74	650 [307]
	RCQD-2417	19,600 [5.7]	14,350 [4.2]	5,250 [1.5]	12.00	14.50	74	600 [283]
	RCQD-2417 (RGFD-06?MCK?)	20,000 [5.9]	14,650 [4.3]	5,350 [1.6]	13.00	16.00	74	600 [283]
	RCQD-2417 (RGFD-07?MCK?)	20,000 [5.9]	14,650 [4.3]	5,350 [1.6]	13.00	16.00	74	600 [283]
	RCQD-2417 (RGFE-06?MCK?)	19,800 [5.8]	14,400 [4.2]	5,400 [1.6]	13.00	16.00	74	575 [271]
	RCQD-2417 (RGFE-07?MCK?)	20,000 [5.9]	14,650 [4.3]	5,350 [1.6]	13.00	16.00	74	600 [283]
	RCQD-2417 (RGJD-06?MCK?)	20,000 [5.9]	14,650 [4.3]	5,350 [1.6]	13.00	16.00	74	600 [283]
	RCQD-2417 (RGJD-07?MCK?)	20,000 [5.9]	14,650 [4.3]	5,350 [1.6]	13.00	16.00	74	625 [295]
	RCQD-2417 (RGJF-06?MCK?)	20,000 [5.9]	14,650 [4.3]	5,350 [1.6]	13.00	16.00	74	625 [295]
	RCQD-2417 (RGJF-07?MCK?)	19,800 [5.8]	14,400 [4.2]	5,400 [1.6]	13.00	16.00	74	575 [271]
	RCQD-2417 (RGPE-05?BMK?)	19,800 [5.8]	14,400 [4.2]	5,400 [1.6]	13.00	16.00	74	575 [271]
	RCQD-2417 (RGPE-07?AMK?)	20,000 [5.9]	14,650 [4.3]	5,350 [1.6]	13.00	16.00	74	625 [295]
	RCQD-2417 (RGPR-05?BMK?)	20,000 [5.9]	14,650 [4.3]	5,350 [1.6]	13.00	16.00	74	600 [283]
	RCQD-2417 (RGPR-07?AMK?)	20,000 [5.9]	14,650 [4.3]	5,350 [1.6]	13.00	16.00	74	600 [283]
	RCQD-2417 (RGPT-05?BMK?)	20,200 [5.9]	14,900 [4.4]	5,300 [1.6]	13.00	16.00	74	650 [307]
	RCQD-2417 (RGPT-07?AME?)	20,400 [6.0]	15,150 [4.4]	5,250 [1.5]	13.00	16.00	74	675 [319]
	RCQD-2417 (RGRM-04?MAE?)	19,800 [5.8]	14,400 [4.2]	5,400 [1.6]	13.00	16.00	74	575 [271]
	RCQD-2417 (RGRM-06?MAE?)	20,000 [5.9]	14,650 [4.3]	5,350 [1.6]	13.00	16.00	74	600 [283]
	RCQD-2417 (RGRM-07?MAE?)	19,900 [5.8]	14,550 [4.3]	5,350 [1.6]	13.00	16.00	74	625 [295]
	ROCA-070E03 (RCQD-2417)	20,000 [5.9]	14,600 [4.3]	5,400 [1.6]	13.00	16.00	74	600 [283]
	ROLA-070E03 (RCQD-2417)	20,000 [5.9]	14,650 [4.3]	5,350 [1.6]	13.00	16.00	74	600 [283]
RHKL-HM2417 (RCSL-H*2417)	20,000 [5.9]	14,500 [4.2]	5,500 [1.6]	14.00	16.50	74	650 [307]	
RHLL-HM2417 (RCSL-H*2417)	20,000 [5.9]	14,500 [4.2]	5,500 [1.6]	14.00	16.50	74	650 [307]	
RHSL-HM1817 (RCSL-H*2417)	19,500 [5.7]	14,000 [4.1]	5,500 [1.6]	12.50	15.00	74	600 [283]	
24	RCFL-H*2417+RXMD-C04 ①	23,600 [6.9]	16,800 [4.9]	6,800 [2.0]	12.00	14.50	74	800 [378]
	RHAL-FR24P	24,200 [7.1]	18,900 [5.5]	5,300 [1.6]	12.00	14.50	74	800 [378]
	RHBL-FR24T	24,400 [7.1]	19,100 [5.6]	5,300 [1.6]	12.50	15.00	74	800 [378]
	RCFL-A*2414+RXMD-C04	23,600 [6.9]	16,800 [4.9]	6,800 [2.0]	12.00	14.50	74	800 [378]
	RCFL-A*2417 (RGFD-06?MCK?)	24,000 [7.0]	17,100 [5.0]	6,900 [2.0]	12.50	15.10	74	800 [378]
	RCFL-A*2417 (RGFD-07?MCK?)	24,000 [7.0]	17,050 [5.0]	6,950 [2.0]	13.00	15.50	74	800 [378]
	RCFL-A*2417 (RGFE-06?MCK?)	24,200 [7.1]	17,250 [5.1]	6,950 [2.0]	13.00	15.50	74	800 [378]
	RCFL-A*2417 (RGFE-07?MCK?)	24,000 [7.0]	17,050 [5.0]	6,950 [2.0]	13.00	15.50	74	825 [389]
	RCFL-A*2417 (RGGD-06?MCK?)	24,200 [7.1]	17,250 [5.1]	6,950 [2.0]	13.00	15.50	74	800 [378]
	RCFL-A*2417 (RGGD-07?MCK?)	24,000 [7.0]	17,050 [5.0]	6,950 [2.0]	13.00	15.50	74	800 [378]
	RCFL-A*2417 (RGGE-06?MCK?)	24,200 [7.1]	17,250 [5.1]	6,950 [2.0]	13.00	16.00	74	825 [389]
	RCFL-A*2417 (RGGE-07?MCK?)	24,200 [7.1]	17,250 [5.1]	6,950 [2.0]	13.00	15.50	74	800 [378]
	RCFL-A*2417 (RGLT-07?AMK?)	24,200 [7.1]	17,250 [5.1]	6,950 [2.0]	13.00	16.00	74	800 [378]
	RCFL-A*2417 (RGLR-07?AMK?)	24,200 [7.1]	17,250 [5.1]	6,950 [2.0]	13.00	16.00	74	800 [378]
	RCFL-A*2417 (RGLT-07?AME?)	23,600 [6.9]	16,300 [4.8]	7,300 [2.1]	13.00	16.00	74	675 [319]
	RCFL-A*2417 (RGPE-05?BMK?)	24,200 [7.1]	17,250 [5.1]	6,950 [2.0]	13.00	15.50	74	800 [378]

① Highest sales volume tested combination required by D.O.E. test procedures.

[] Designates Metric Conversions

Performance Data @ AHRI Standard Conditions—Cooling (con't.)

Model Numbers		80°F [26.5°C] DB/67°F [19.5°C] WB Indoor Air 95°F [35°C] DB Outdoor Air					Sound Rating dB	Indoor CFM [L/s]
Outdoor Unit 14AJM	Indoor Coil and/or Air Handler	Total Capacity BTU/H [kW]	Net Sensible BTU/H [kW]	Net Latent BTU/H [kW]	EER	SEER		
Rev. 7/1/10	RCFL-A*2417 (RGPE-07?AMK?)	24,200 [7.1]	17,250 [5.1]	6,950 [2.0]	13.00	16.00	74	825 [389]
	RCFL-A*2417 (RGPR-05?BMK?)	24,000 [7.0]	17,050 [5.0]	6,950 [2.0]	13.00	15.50	74	775 [366]
	RCFL-A*2417 (RGPR-07?AMK?)	24,200 [7.1]	17,250 [5.1]	6,950 [2.0]	13.00	16.00	74	800 [378]
	RCFL-A*2417 (RGPT-05?BMK?)	24,400 [7.1]	17,600 [5.2]	6,800 [2.0]	13.00	15.50	74	850 [401]
	RCFL-A*2417 (RGPT-07?AME?)	24,400 [7.1]	17,600 [5.2]	6,800 [2.0]	13.00	15.50	74	850 [401]
	RCFL-A*2417 (RGTM-06?MAE?)	24,000 [7.0]	16,900 [5.0]	7,100 [2.1]	13.00	16.00	74	750 [354]
	ROCA-070E03 (RCFL-A*2417)	24,200 [7.1]	17,250 [5.1]	6,950 [2.0]	13.00	16.00	74	800 [378]
	ROCA-070E04 (RCFL-A*2417)	24,200 [7.1]	17,250 [5.1]	6,950 [2.0]	13.00	16.00	74	800 [378]
	ROLA-070E03 (RCFL-A*2417)	24,200 [7.1]	17,250 [5.1]	6,950 [2.0]	13.00	16.00	74	800 [378]
	ROLA-070E04 (RCFL-A*2417)	23,800 [7.0]	16,650 [4.9]	7,150 [2.1]	13.00	15.50	74	725 [342]
	RCFL-A*2417+RXMD-C04	23,600 [6.9]	16,800 [4.9]	6,800 [2.0]	12.00	14.50	74	800 [378]
	RCFL-H*2414+RXMD-C04	23,600 [6.9]	16,800 [4.9]	6,800 [2.0]	12.00	14.50	74	800 [378]
	RCFL-H*2417 (RGFD-06?MCK?)	24,000 [7.0]	17,100 [5.0]	6,900 [2.0]	12.50	15.10	74	800 [378]
	RCFL-H*2417 (RGFD-07?MCK?)	24,000 [7.0]	17,050 [5.0]	6,950 [2.0]	13.00	15.50	74	800 [378]
	RCFL-H*2417 (RGFE-06?MCK?)	24,200 [7.1]	17,250 [5.1]	6,950 [2.0]	13.00	15.50	74	800 [378]
	RCFL-H*2417 (RGFE-07?MCK?)	24,000 [7.0]	17,050 [5.0]	6,950 [2.0]	13.00	15.50	74	825 [389]
	RCFL-H*2417 (RGGD-06?MCK?)	24,200 [7.1]	17,250 [5.1]	6,950 [2.0]	13.00	15.50	74	800 [378]
	RCFL-H*2417 (RGGD-07?MCK?)	24,000 [7.0]	17,050 [5.0]	6,950 [2.0]	13.00	15.50	74	800 [378]
	RCFL-H*2417 (RGGE-06?MCK?)	24,200 [7.1]	17,250 [5.1]	6,950 [2.0]	13.00	16.00	74	825 [389]
	RCFL-H*2417 (RGGE-07?MCK?)	24,200 [7.1]	17,250 [5.1]	6,950 [2.0]	13.00	15.50	74	800 [378]
	RCFL-H*2417 (RGJD-06?MCK?)	24,200 [7.1]	17,250 [5.1]	6,950 [2.0]	13.00	15.50	74	800 [378]
	RCFL-H*2417 (RGJD-07?MCK?)	24,000 [7.0]	17,050 [5.0]	6,950 [2.0]	13.00	15.50	74	800 [378]
	RCFL-H*2417 (RGJF-06?MCK?)	24,200 [7.1]	17,250 [5.1]	6,950 [2.0]	13.00	16.00	74	825 [389]
	RCFL-H*2417 (RGJF-07?MCK?)	24,200 [7.1]	17,250 [5.1]	6,950 [2.0]	13.00	15.50	74	800 [378]
RCFL-H*2417 (RGLD-07?AMK?)	24,200 [7.1]	17,250 [5.1]	6,950 [2.0]	13.00	16.00	74	800 [378]	
RCFL-H*2417 (RGLR-07?AMK?)	24,200 [7.1]	17,250 [5.1]	6,950 [2.0]	13.00	16.00	74	800 [378]	
24	RCFL-H*2417 (RGLT-07?AME?)	23,600 [6.9]	16,300 [4.8]	7,300 [2.1]	13.00	16.00	74	675 [319]
	RCFL-H*2417 (RGPE-05?BMK?)	24,200 [7.1]	17,250 [5.1]	6,950 [2.0]	13.00	15.50	74	800 [378]
	RCFL-H*2417 (RGPE-07?AMK?)	24,200 [7.1]	17,250 [5.1]	6,950 [2.0]	13.00	16.00	74	825 [389]
	RCFL-H*2417 (RGPR-05?BMK?)	24,000 [7.0]	17,050 [5.0]	6,950 [2.0]	13.00	15.50	74	775 [366]
	RCFL-H*2417 (RGPR-07?AMK?)	24,200 [7.1]	17,250 [5.1]	6,950 [2.0]	13.00	16.00	74	800 [378]
	RCFL-H*2417 (RGPT-05?BMK?)	24,400 [7.1]	17,600 [5.2]	6,800 [2.0]	13.00	15.50	74	850 [401]
	RCFL-H*2417 (RGPT-07?AME?)	24,400 [7.1]	17,600 [5.2]	6,800 [2.0]	13.00	15.50	74	850 [401]
	RCFL-H*2417 (RGRM-04?MAE?)	24,000 [7.0]	17,100 [5.0]	6,900 [2.0]	13.00	15.50	74	800 [378]
	RCFL-H*2417 (RGRM-06?MAE?)	24,000 [7.0]	17,100 [5.0]	6,900 [2.0]	13.00	15.50	74	825 [389]
	RCFL-H*2417 (RGRM-07?MAE?)	24,200 [7.1]	17,450 [5.1]	6,750 [2.0]	12.50	15.10	74	850 [401]
	RCFL-H*2417 (RGTM-06?MAE?)	24,000 [7.0]	16,900 [5.0]	7,100 [2.1]	13.00	16.00	74	750 [354]
	ROCA-070E03 (RCFL-H*2417)	24,200 [7.1]	17,250 [5.1]	6,950 [2.0]	13.00	16.00	74	800 [378]
	ROCA-070E04 (RCFL-H*2417)	24,200 [7.1]	17,250 [5.1]	6,950 [2.0]	13.00	16.00	74	800 [378]
	ROLA-070E03 (RCFL-H*2417)	24,200 [7.1]	17,250 [5.1]	6,950 [2.0]	13.00	16.00	74	800 [378]
	ROLA-070E04 (RCFL-H*2417)	23,800 [7.0]	16,650 [4.9]	7,150 [2.1]	13.00	15.50	74	725 [342]
	RBHP-17 (RCHL-24A2)	23,400 [6.9]	16,150 [4.7]	7,250 [2.1]	12.50	15.00	74	800 [378]
	RCQD-2417	24,200 [7.1]	17,650 [5.2]	6,550 [1.9]	12.00	14.50	74	800 [378]
	RCQD-2417 (RGFD-06?MCK?)	25,000 [7.3]	18,550 [5.4]	6,450 [1.9]	12.50	15.00	74	875 [413]
	RCQD-2417 (RGFD-07?MCK?)	24,800 [7.3]	18,100 [5.3]	6,700 [2.0]	13.00	15.50	74	800 [378]
	RCQD-2417 (RGFE-06?MCK?)	24,400 [7.1]	17,450 [5.1]	6,950 [2.0]	13.00	16.00	74	725 [342]
	RCQD-2417 (RGFE-07?MCK?)	24,800 [7.3]	18,050 [5.3]	6,750 [2.0]	13.00	16.00	74	825 [389]
	RCQD-2417 (RGJD-06?MCK?)	24,800 [7.3]	18,050 [5.3]	6,750 [2.0]	13.00	16.00	74	800 [378]
	RCQD-2417 (RGJD-07?MCK?)	24,800 [7.3]	18,050 [5.3]	6,750 [2.0]	13.00	16.00	74	800 [378]
	RCQD-2417 (RGJF-06?MCK?)	24,800 [7.3]	18,050 [5.3]	6,750 [2.0]	13.00	16.00	74	825 [389]
RCQD-2417 (RGJF-07?MCK?)	24,800 [7.3]	18,050 [5.3]	6,750 [2.0]	13.00	16.00	74	800 [378]	
RCQD-2417 (RGPE-05?BMK?)	24,800 [7.3]	18,050 [5.3]	6,750 [2.0]	13.00	16.00	74	800 [378]	
RCQD-2417 (RGPE-07?AMK?)	25,000 [7.3]	18,250 [5.3]	6,750 [2.0]	13.00	16.00	74	825 [389]	

① Highest sales volume tested combination required by D.O.E. test procedures.

[] Designates Metric Conversions

Performance Data @ AHRI Standard Conditions—Cooling (con't.)

Model Numbers		80°F [26.5°C] DB/67°F [19.5°C] WB Indoor Air 95°F [35°C] DB Outdoor Air					Sound Rating dB	Indoor CFM [L/s]
Outdoor Unit 14AJM	Indoor Coil and/or Air Handler	Total Capacity BTU/H [kW]	Net Sensible BTU/H [kW]	Net Latent BTU/H [kW]	EER	SEER		
Rev. 7/1/10 24	RCQD-2417 (RGPR-05?BMK?)	24,600 [7.2]	17,750 [5.2]	6,850 [2.0]	13.00	16.00	74	750 [354]
	RCQD-2417 (RGPR-07?AMK?)	24,600 [7.2]	17,700 [5.2]	6,900 [2.0]	13.00	16.00	74	750 [354]
	RCQD-2417 (RGPT-05?BMK?)	25,400 [7.4]	18,950 [5.6]	6,450 [1.9]	13.00	16.00	74	900 [425]
	RCQD-2417 (RGRM-04?MAE?)	24,600 [7.2]	17,750 [5.2]	6,850 [2.0]	13.00	16.00	74	750 [354]
	RCQD-2417 (RGRM-06?MAE?)	25,000 [7.3]	18,250 [5.3]	6,750 [2.0]	13.00	16.00	74	775 [366]
	RCQD-2417 (RGRM-07?MAE?)	24,800 [7.3]	18,100 [5.3]	6,700 [2.0]	13.00	15.50	74	800 [378]
	ROCA-070E03 (RCQD-2417)	25,000 [7.3]	18,250 [5.3]	6,750 [2.0]	13.00	16.00	74	800 [378]
	ROCA-070E04 (RCQD-2417)	25,000 [7.3]	18,250 [5.3]	6,750 [2.0]	13.00	16.00	74	800 [378]
	ROLA-070E03 (RCQD-2417)	25,000 [7.3]	18,250 [5.3]	6,750 [2.0]	13.00	16.00	74	800 [378]
	ROLA-070E04 (RCQD-2417)	25,400 [7.4]	18,950 [5.6]	6,450 [1.9]	13.00	16.00	74	900 [425]
	RHKL-HM2417 (RCSL-H*2417)	24,400 [7.1]	17,550 [5.1]	6,850 [2.0]	13.00	16.00	74	850 [401]
	RHLL-HM2417 (RCSL-H*2417)	24,400 [7.1]	17,400 [5.1]	7,000 [2.1]	13.50	16.50	74	775 [366]
RHSL-HM2417 (RCSL-H*2417)	23,800 [7.0]	16,950 [5.0]	6,850 [2.0]	12.50	14.50	74	800 [378]	
30	RCFL-H*3617+RXMD-C04 ①	28,200 [8.3]	20,250 [5.9]	7,950 [2.3]	12.00	14.50	76	950 [448]
	RHAL-FR30P	28,400 [8.3]	21,900 [6.4]	6,500 [1.9]	12.00	14.50	76	975 [460]
	RHBL-FR36T	28,800 [8.4]	22,300 [6.5]	6,500 [1.9]	13.00	16.00	76	1,025 [484]
	RCFL-A*3617 (RGFD-06?MCK?)	28,600 [8.4]	20,750 [6.1]	7,850 [2.3]	12.00	14.50	76	1,000 [472]
	RCFL-A*3617 (RGFD-07?MCK?)	28,000 [8.2]	19,400 [5.7]	8,600 [2.5]	12.50	15.10	76	800 [378]
	RCFL-A*3617 (RGFE-06?MCK?)	28,400 [8.3]	20,050 [5.9]	8,350 [2.4]	13.00	15.10	76	875 [413]
	RCFL-A*3617 (RGFE-07?MCK?)	28,400 [8.3]	20,050 [5.9]	8,350 [2.4]	13.00	15.10	76	875 [413]
	RCFL-A*3617 (RGGD-06?MCK?)	28,200 [8.3]	19,550 [5.7]	8,650 [2.5]	12.50	15.10	76	800 [378]
	RCFL-A*3617 (RGGD-07?MCK?)	28,000 [8.2]	19,400 [5.7]	8,600 [2.5]	12.50	15.10	76	800 [378]
	RCFL-A*3617 (RGGE-06?MCK?)	28,800 [8.4]	20,700 [6.1]	8,100 [2.4]	13.00	15.50	76	925 [437]
	RCFL-A*3617 (RGGE-07?MCK?)	28,400 [8.3]	20,050 [5.9]	8,350 [2.4]	13.00	15.50	76	875 [413]
	RCFL-A*3617 (RGLE-07?AMK?)	29,200 [8.6]	21,350 [6.3]	7,850 [2.3]	13.00	15.50	76	1,025 [484]
	RCFL-A*3617 (RGLE-07?BRQ?)	29,000 [8.5]	20,850 [6.1]	8,150 [2.4]	13.00	16.00	76	925 [437]
	RCFL-A*3617 (RGLR-07?AMK?)	28,200 [8.3]	19,550 [5.7]	8,650 [2.5]	13.00	15.10	76	800 [378]
	RCFL-A*3617 (RGLT-07?AME?)	28,600 [8.4]	20,200 [5.9]	8,400 [2.5]	13.00	15.50	76	875 [413]
	RCFL-A*3617 (RGPE-05?BMK?)	28,600 [8.4]	20,300 [5.9]	8,300 [2.4]	13.00	15.50	76	900 [425]
	RCFL-A*3617 (RGPE-07?AMK?)	28,600 [8.4]	20,300 [5.9]	8,300 [2.4]	13.00	15.50	76	900 [425]
	RCFL-A*3617 (RGPR-05?BMK?)	28,800 [8.4]	20,950 [6.1]	7,850 [2.3]	12.00	14.50	76	1,000 [472]
	RCFL-A*3617 (RGPR-07?AMK?)	28,200 [8.3]	19,550 [5.7]	8,650 [2.5]	13.00	15.10	76	800 [378]
	RCFL-A*3617 (RGPT-05?BMK?)	28,400 [8.3]	19,950 [5.8]	8,450 [2.5]	13.00	15.50	76	850 [401]
	RCFL-A*3617 (RGPT-07?AME?)	28,400 [8.3]	20,000 [5.9]	8,400 [2.5]	13.00	15.50	76	875 [413]
	RCFL-A*3617 (RGTM-06?MAE?)	28,600 [8.4]	20,300 [5.9]	8,300 [2.4]	13.00	15.50	76	900 [425]
	RCFL-A*3617 (RGTM-07?RBG?)	29,200 [8.6]	21,450 [6.3]	7,750 [2.3]	13.00	15.50	76	1,050 [495]
	RCFL-A*3617 (RGTM-09?ZAJ?)	28,800 [8.4]	20,650 [6.1]	8,150 [2.4]	13.00	15.50	76	975 [460]
	ROCA-070E03 (RCFL-A*3617)	29,000 [8.5]	21,050 [6.2]	7,950 [2.3]	13.00	15.50	76	1,000 [472]
	ROCA-070E04 (RCFL-A*3617)	29,000 [8.5]	21,050 [6.2]	7,950 [2.3]	13.00	15.50	76	1,000 [472]
	ROLA-070E03 (RCFL-A*3617)	28,800 [8.4]	20,700 [6.1]	8,100 [2.4]	13.00	15.50	76	975 [460]
	ROLA-070E04 (RCFL-A*3617)	28,800 [8.4]	20,700 [6.1]	8,100 [2.4]	13.00	15.50	76	975 [460]
	RCFL-A*3617+RXMD-C04	28,200 [8.3]	20,250 [5.9]	7,950 [2.3]	12.00	14.50	76	950 [448]
	RCFL-A*3621 (RGFD-06?MCK?)	28,600 [8.4]	20,750 [6.1]	7,850 [2.3]	12.00	14.50	76	1,000 [472]
	RCFL-A*3621 (RGFD-07?MCK?)	28,000 [8.2]	19,400 [5.7]	8,600 [2.5]	12.50	15.10	76	800 [378]
	RCFL-A*3621 (RGFD-09?ZCM?)	28,400 [8.3]	19,900 [5.8]	8,500 [2.5]	13.00	15.50	76	850 [401]
	RCFL-A*3621 (RGFE-06?MCK?)	28,800 [8.4]	20,900 [6.1]	7,900 [2.3]	13.00	15.10	76	1,000 [472]
	RCFL-A*3621 (RGFE-07?MCK?)	28,400 [8.3]	20,050 [5.9]	8,350 [2.4]	13.00	15.10	76	875 [413]
	RCFL-A*3621 (RGFE-09?ZCM?)	28,800 [8.4]	20,700 [6.1]	8,100 [2.4]	13.00	15.50	76	975 [460]
	RCFL-A*3621 (RGFE-10?ZCM?)	29,000 [8.5]	21,050 [6.2]	7,950 [2.3]	13.00	15.50	76	1,000 [472]
RCFL-A*3621 (RGGD-06?MCK?)	28,200 [8.3]	19,550 [5.7]	8,650 [2.5]	12.50	15.10	76	800 [378]	
RCFL-A*3621 (RGGD-07?MCK?)	28,000 [8.2]	19,400 [5.7]	8,600 [2.5]	12.50	15.10	76	800 [378]	
RCFL-A*3621 (RGGE-06?MCK?)	28,800 [8.4]	20,650 [6.1]	8,150 [2.4]	13.00	15.50	76	925 [437]	
RCFL-A*3621 (RGGE-07?MCK?)	28,400 [8.3]	20,050 [5.9]	8,350 [2.4]	13.00	15.50	76	875 [413]	

① Highest sales volume tested combination required by D.O.E. test procedures.

[] Designates Metric Conversions

Performance Data @ AHRI Standard Conditions—Cooling (con't.)

Model Numbers		80°F [26.5°C] DB/67°F [19.5°C] WB Indoor Air 95°F [35°C] DB Outdoor Air					Sound Rating dB	Indoor CFM [L/s]
Outdoor Unit 14AJM	Indoor Coil and/or Air Handler	Total Capacity BTU/H [kW]	Net Sensible BTU/H [kW]	Net Latent BTU/H [kW]	EER	SEER		
Rev. 7/1/10	RCFL-A*3621 (RGGE-09?ZCM?)	29,000 [8.5]	21,050 [6.2]	7,950 [2.3]	13.00	15.50	76	1,000 [472]
	RCFL-A*3621 (RGGE-10?ZCM?)	29,000 [8.5]	21,050 [6.2]	7,950 [2.3]	13.00	15.50	76	1,000 [472]
	RCFL-A*3621 (RGJF-06?MCK?)	28,800 [8.4]	20,650 [6.1]	8,150 [2.4]	13.00	15.50	76	925 [437]
	RCFL-A*3621 (RGJF-07?MCK?)	28,400 [8.3]	20,050 [5.9]	8,350 [2.4]	13.00	15.50	76	875 [413]
	RCFL-A*3621 (RGJF-09?ZCM?)	29,200 [8.6]	21,350 [6.3]	7,850 [2.3]	13.00	15.50	76	1,025 [484]
	RCFL-A*3621 (RGJF-10?ZCM?)	29,200 [8.6]	21,450 [6.3]	7,750 [2.3]	13.00	15.50	76	1,050 [495]
	RCFL-A*3621 (RGLF-07?AMK?)	29,200 [8.6]	21,350 [6.3]	7,850 [2.3]	13.00	15.50	76	1,025 [484]
	RCFL-A*3621 (RGLF-10?BRM?)	29,400 [8.6]	21,600 [6.3]	7,800 [2.3]	13.00	16.00	76	1,050 [495]
	RCFL-A*3621 (RGLR-07?AMK?)	28,200 [8.3]	19,550 [5.7]	8,650 [2.5]	13.00	15.10	76	800 [378]
	RCFL-A*3621 (RGLT-07?AME?)	28,600 [8.4]	20,200 [5.9]	8,400 [2.5]	13.00	16.00	76	875 [413]
	RCFL-A*3621 (RGLT-07?BRQ?)	28,800 [8.4]	20,650 [6.1]	8,150 [2.4]	13.00	16.00	76	975 [460]
	RCFL-A*3621 (RGLT-10?BRM?)	29,000 [8.5]	20,850 [6.1]	8,150 [2.4]	13.00	16.00	76	975 [460]
	RCFL-A*3621 (RGPE-05?BMK?)	28,600 [8.4]	20,300 [5.9]	8,300 [2.4]	13.00	15.50	76	900 [425]
	RCFL-A*3621 (RGPE-07?AMK?)	29,000 [8.5]	21,100 [6.2]	7,900 [2.3]	13.00	15.50	76	1,000 [472]
	RCFL-A*3621 (RGPE-07?BRQ?)	29,200 [8.6]	21,300 [6.2]	7,900 [2.3]	13.00	16.00	76	1,025 [484]
	RCFL-A*3621 (RGPE-10?BRM?)	28,800 [8.4]	20,450 [6.0]	8,350 [2.4]	13.00	16.00	76	900 [425]
	RCFL-A*3621 (RGPR-05?BMK?)	28,800 [8.4]	20,950 [6.1]	7,850 [2.3]	12.00	14.50	76	1,000 [472]
	RCFL-A*3621 (RGPR-07?AMK?)	28,200 [8.3]	19,550 [5.7]	8,650 [2.5]	13.00	15.10	76	800 [378]
	RCFL-A*3621 (RGPR-07?BRQ?)	29,200 [8.6]	21,250 [6.2]	7,950 [2.3]	13.00	16.00	76	1,000 [472]
	30	RCFL-A*3621 (RGPT-05?BMK?)	28,400 [8.3]	20,000 [5.9]	8,400 [2.5]	13.00	15.50	76
RCFL-A*3621 (RGPT-07?AME?)		28,600 [8.4]	20,200 [5.9]	8,400 [2.5]	13.00	15.50	76	875 [413]
RCFL-A*3621 (RGPT-07?BRQ?)		29,000 [8.5]	20,850 [6.1]	8,150 [2.4]	13.00	16.00	76	975 [460]
RCFL-A*3621 (RGRM-09?ZAJ?)		28,800 [8.4]	20,700 [6.1]	8,100 [2.4]	13.00	15.50	76	950 [448]
RCFL-A*3621 (RGRM-10?ZAJ?)		28,400 [8.3]	20,050 [5.9]	8,350 [2.4]	13.00	15.50	76	875 [413]
ROCA-070E03 (RCFL-A*3621)		29,000 [8.5]	21,050 [6.2]	7,950 [2.3]	13.00	15.50	76	1,000 [472]
ROCA-070E04 (RCFL-A*3621)		29,000 [8.5]	21,050 [6.2]	7,950 [2.3]	13.00	15.50	76	1,000 [472]
ROLA-070E03 (RCFL-A*3621)		28,600 [8.4]	20,300 [5.9]	8,300 [2.4]	13.00	15.50	76	900 [425]
ROLA-070E04 (RCFL-A*3621)		28,800 [8.4]	20,700 [6.1]	8,100 [2.4]	13.00	15.50	76	975 [460]
ROLA-115E05 (RCFL-A*3621)		29,200 [8.6]	21,450 [6.3]	7,750 [2.3]	13.00	15.50	76	1,050 [495]
RCFL-A*3621+RXMD-C04		28,200 [8.3]	20,250 [5.9]	7,950 [2.3]	12.00	14.50	76	950 [448]
RCFL-A*3821 (RGLT-07?AME?)		29,600 [8.7]	21,650 [6.3]	7,950 [2.3]	13.00	16.00	76	925 [437]
RCFL-A*3821 (RGLT-07?BRQ?)		30,000 [8.8]	22,350 [6.5]	7,650 [2.2]	13.00	16.00	76	1,025 [484]
RCFL-A*3821 (RGLT-10?BRM?)		30,000 [8.8]	22,350 [6.5]	7,650 [2.2]	13.00	16.00	76	1,025 [484]
RCFL-A*3821 (RGPT-05?BMK?)		29,200 [8.6]	21,100 [6.2]	8,100 [2.4]	13.00	16.00	76	900 [425]
RCFL-A*3821 (RGPT-07?AME?)		29,600 [8.7]	21,650 [6.3]	7,950 [2.3]	13.00	16.00	76	925 [437]
RCFL-A*3821 (RGPT-07?BRQ?)		30,000 [8.8]	22,350 [6.5]	7,650 [2.2]	13.00	16.00	76	1,025 [484]
RCFL-A*3821 (RGPT-10?BRM?)		30,000 [8.8]	22,350 [6.5]	7,650 [2.2]	13.00	16.00	76	1,025 [484]
ROCA-070E03 (RCFL-A*3821)		29,800 [8.7]	22,100 [6.5]	7,700 [2.3]	13.00	16.00	76	1,000 [472]
ROCA-070E04 (RCFL-A*3821)		29,800 [8.7]	22,100 [6.5]	7,700 [2.3]	13.00	16.00	76	1,000 [472]
ROLA-070E03 (RCFL-A*3821)		29,600 [8.7]	21,700 [6.4]	7,900 [2.3]	13.00	16.00	76	975 [460]
ROLA-070E04 (RCFL-A*3821)		29,600 [8.7]	21,700 [6.4]	7,900 [2.3]	13.00	16.00	76	975 [460]
ROLA-115E05 (RCFL-A*3821)		30,000 [8.8]	22,450 [6.6]	7,550 [2.2]	13.00	16.00	76	1,050 [495]
RCFL-A*3824 (RGLT-07?BRQ?)		30,000 [8.8]	22,350 [6.5]	7,650 [2.2]	13.00	16.00	76	1,025 [484]
RCFL-A*3824 (RGLT-10?BRM?)		30,000 [8.8]	22,350 [6.5]	7,650 [2.2]	13.00	16.00	76	1,025 [484]
RCFL-A*3824 (RGLT-12?ARM?)		29,800 [8.7]	21,850 [6.4]	7,950 [2.3]	13.00	16.00	76	975 [460]
RCFL-A*3824 (RGPT-07?BRQ?)		30,000 [8.8]	22,350 [6.5]	7,650 [2.2]	13.00	16.00	76	1,025 [484]
RCFL-A*3824 (RGPT-10?BRM?)		30,000 [8.8]	22,350 [6.5]	7,650 [2.2]	13.00	16.00	76	1,025 [484]
RCFL-A*3824 (RGPT-12?ARM?)		29,800 [8.7]	21,850 [6.4]	7,950 [2.3]	13.00	16.00	76	975 [460]
ROCA-070E03 (RCFL-A*3824)		29,800 [8.7]	22,100 [6.5]	7,700 [2.3]	13.00	16.00	76	1,000 [472]
ROCA-070E04 (RCFL-A*3824)	29,800 [8.7]	22,100 [6.5]	7,700 [2.3]	13.00	16.00	76	1,000 [472]	
ROLA-070E03 (RCFL-A*3824)	29,600 [8.7]	21,700 [6.4]	7,900 [2.3]	13.00	16.00	76	975 [460]	
ROLA-070E04 (RCFL-A*3824)	29,600 [8.7]	21,700 [6.4]	7,900 [2.3]	13.00	16.00	76	975 [460]	
ROLA-115E05 (RCFL-A*3824)	30,000 [8.8]	22,450 [6.6]	7,550 [2.2]	13.00	16.00	76	1,050 [495]	

① Highest sales volume tested combination required by D.O.E. test procedures.

[] Designates Metric Conversions

Performance Data @ AHRI Standard Conditions—Cooling (con't.)

Model Numbers		80°F [26.5°C] DB/67°F [19.5°C] WB Indoor Air 95°F [35°C] DB Outdoor Air					Sound Rating dB	Indoor CFM [L/s]	
Outdoor Unit 14AJM	Indoor Coil and/or Air Handler	Total Capacity BTU/H [kW]	Net Sensible BTU/H [kW]	Net Latent BTU/H [kW]	EER	SEER			
Rev. 7/1/10	RCFL-H*3617 (RGFD-06?MCK?)	28,600 [8.4]	20,750 [6.1]	7,850 [2.3]	12.00	14.50	76	1,000 [472]	
	RCFL-H*3617 (RGFD-07?MCK?)	28,000 [8.2]	19,400 [5.7]	8,600 [2.5]	12.50	15.10	76	800 [378]	
	RCFL-H*3617 (RGFE-06?MCK?)	28,400 [8.3]	20,050 [5.9]	8,350 [2.4]	13.00	15.10	76	875 [413]	
	RCFL-H*3617 (RGFE-07?MCK?)	28,400 [8.3]	20,050 [5.9]	8,350 [2.4]	13.00	15.10	76	875 [413]	
	RCFL-H*3617 (RGGD-06?MCK?)	28,200 [8.3]	19,550 [5.7]	8,650 [2.5]	12.50	15.10	76	800 [378]	
	RCFL-H*3617 (RGGD-07?MCK?)	28,000 [8.2]	19,400 [5.7]	8,600 [2.5]	12.50	15.10	76	800 [378]	
	RCFL-H*3617 (RGGE-06?MCK?)	28,800 [8.4]	20,700 [6.1]	8,100 [2.4]	13.00	15.50	76	925 [437]	
	RCFL-H*3617 (RGGE-07?MCK?)	28,400 [8.3]	20,050 [5.9]	8,350 [2.4]	13.00	15.50	76	875 [413]	
	RCFL-H*3617 (RGJD-06?MCK?)	28,200 [8.3]	19,550 [5.7]	8,650 [2.5]	12.50	15.10	76	800 [378]	
	RCFL-H*3617 (RGJD-07?MCK?)	28,000 [8.2]	19,400 [5.7]	8,600 [2.5]	12.50	15.10	76	800 [378]	
	RCFL-H*3617 (RGJF-06?MCK?)	28,800 [8.4]	20,700 [6.1]	8,100 [2.4]	13.00	15.50	76	925 [437]	
	RCFL-H*3617 (RGJF-07?MCK?)	28,400 [8.3]	20,050 [5.9]	8,350 [2.4]	13.00	15.50	76	875 [413]	
	RCFL-H*3617 (RGL-07?AMK?)	29,200 [8.6]	21,350 [6.3]	7,850 [2.3]	13.00	15.50	76	1,025 [484]	
	RCFL-H*3617 (RGLR-07?AMK?)	28,200 [8.3]	19,550 [5.7]	8,650 [2.5]	13.00	15.10	76	800 [378]	
	RCFL-H*3617 (RGLT-07?AME?)	28,600 [8.4]	20,200 [5.9]	8,400 [2.5]	13.00	15.50	76	875 [413]	
	RCFL-H*3617 (RGPE-05?BMK?)	28,600 [8.4]	20,300 [5.9]	8,300 [2.4]	13.00	15.50	76	900 [425]	
	RCFL-H*3617 (RGPE-07?AMK?)	28,600 [8.4]	20,300 [5.9]	8,300 [2.4]	13.00	15.50	76	900 [425]	
	RCFL-H*3617 (RGPR-05?BMK?)	28,800 [8.4]	20,950 [6.1]	7,850 [2.3]	12.00	14.50	76	1,000 [472]	
	RCFL-H*3617 (RGPR-07?AMK?)	28,200 [8.3]	19,550 [5.7]	8,650 [2.5]	13.00	15.10	76	800 [378]	
	RCFL-H*3617 (RGPT-05?BMK?)	28,400 [8.3]	19,950 [5.8]	8,450 [2.5]	13.00	15.50	76	850 [401]	
	RCFL-H*3617 (RGPT-07?AME?)	28,400 [8.3]	20,000 [5.9]	8,400 [2.5]	13.00	15.50	76	875 [413]	
	RCFL-H*3617 (RGRM-04?MAE?)	28,800 [8.4]	21,050 [6.2]	7,750 [2.3]	12.00	14.50	76	1,025 [484]	
	RCFL-H*3617 (RGRM-06?MAE?)	28,800 [8.4]	20,950 [6.1]	7,850 [2.3]	12.00	14.50	76	1,000 [472]	
	RCFL-H*3617 (RGRM-07?MAE?)	28,200 [8.3]	19,800 [5.8]	8,400 [2.5]	12.50	15.10	76	850 [401]	
	RCFL-H*3617 (RGTM-06?MAE?)	28,600 [8.4]	20,300 [5.9]	8,300 [2.4]	13.00	15.50	76	900 [425]	
	30	ROCA-070E03 (RCFL-H*3617)	29,000 [8.5]	21,050 [6.2]	7,950 [2.3]	13.00	15.50	76	1,000 [472]
		ROCA-070E04 (RCFL-H*3617)	29,000 [8.5]	21,050 [6.2]	7,950 [2.3]	13.00	15.50	76	1,000 [472]
		ROLA-070E03 (RCFL-H*3617)	28,800 [8.4]	20,700 [6.1]	8,100 [2.4]	13.00	15.50	76	975 [460]
		ROLA-070E04 (RCFL-H*3617)	28,800 [8.4]	20,700 [6.1]	8,100 [2.4]	13.00	15.50	76	975 [460]
		RCFL-H*3621 (RGFD-06?MCK?)	28,600 [8.4]	20,750 [6.1]	7,850 [2.3]	12.00	14.50	76	1,000 [472]
RCFL-H*3621 (RGFD-07?MCK?)		28,000 [8.2]	19,400 [5.7]	8,600 [2.5]	12.50	15.10	76	800 [378]	
RCFL-H*3621 (RGFD-09?ZCM?)		28,400 [8.3]	19,900 [5.8]	8,500 [2.5]	13.00	15.50	76	850 [401]	
RCFL-H*3621 (RGFE-06?MCK?)		28,800 [8.4]	20,900 [6.1]	7,900 [2.3]	13.00	15.10	76	1,000 [472]	
RCFL-H*3621 (RGFE-07?MCK?)		28,400 [8.3]	20,050 [5.9]	8,350 [2.4]	13.00	15.10	76	875 [413]	
RCFL-H*3621 (RGFE-09?ZCM?)		28,800 [8.4]	20,700 [6.1]	8,100 [2.4]	13.00	15.50	76	975 [460]	
RCFL-H*3621 (RGFE-10?ZCM?)		29,000 [8.5]	21,050 [6.2]	7,950 [2.3]	13.00	15.50	76	1,000 [472]	
RCFL-H*3621 (RGGD-06?MCK?)		28,200 [8.3]	19,550 [5.7]	8,650 [2.5]	12.50	15.10	76	800 [378]	
RCFL-H*3621 (RGGD-07?MCK?)		28,000 [8.2]	19,400 [5.7]	8,600 [2.5]	12.50	15.10	76	800 [378]	
RCFL-H*3621 (RGGE-06?MCK?)		28,800 [8.4]	20,650 [6.1]	8,150 [2.4]	13.00	15.50	76	925 [437]	
RCFL-H*3621 (RGGE-07?MCK?)		28,400 [8.3]	20,050 [5.9]	8,350 [2.4]	13.00	15.50	76	875 [413]	
RCFL-H*3621 (RGGE-09?ZCM?)		29,000 [8.5]	21,050 [6.2]	7,950 [2.3]	13.00	15.50	76	1,000 [472]	
RCFL-H*3621 (RGGE-10?ZCM?)		29,000 [8.5]	21,050 [6.2]	7,950 [2.3]	13.00	15.50	76	1,000 [472]	
RCFL-H*3621 (RGJD-06?MCK?)		28,200 [8.3]	19,550 [5.7]	8,650 [2.5]	12.50	15.10	76	800 [378]	
RCFL-H*3621 (RGJD-07?MCK?)		28,000 [8.2]	19,400 [5.7]	8,600 [2.5]	12.50	15.10	76	800 [378]	
RCFL-H*3621 (RGJF-06?MCK?)		28,800 [8.4]	20,650 [6.1]	8,150 [2.4]	13.00	15.50	76	925 [437]	
RCFL-H*3621 (RGJF-07?MCK?)		28,400 [8.3]	20,050 [5.9]	8,350 [2.4]	13.00	15.50	76	875 [413]	
RCFL-H*3621 (RGJF-09?ZCM?)		29,200 [8.6]	21,350 [6.3]	7,850 [2.3]	13.00	15.50	76	1,025 [484]	
RCFL-H*3621 (RGJF-10?ZCM?)		29,200 [8.6]	21,450 [6.3]	7,750 [2.3]	13.00	15.50	76	1,050 [495]	
RCFL-H*3621 (RGL-07?AMK?)		29,200 [8.6]	21,350 [6.3]	7,850 [2.3]	13.00	15.50	76	1,025 [484]	
RCFL-H*3621 (RGL-07?BRQ?)		29,000 [8.5]	20,850 [6.1]	8,150 [2.4]	13.00	16.00	76	925 [437]	
RCFL-H*3621 (RGL-10?BRM?)		29,400 [8.6]	21,600 [6.3]	7,800 [2.3]	13.00	16.00	76	1,050 [495]	
RCFL-H*3621 (RGLR-07?AMK?)		28,200 [8.3]	19,550 [5.7]	8,650 [2.5]	13.00	15.10	76	800 [378]	
RCFL-H*3621 (RGLT-07?AME?)		28,600 [8.4]	20,200 [5.9]	8,400 [2.5]	13.00	16.00	76	875 [413]	

Ⓢ Highest sales volume tested combination required by D.O.E. test procedures.

[] Designates Metric Conversions

Performance Data @ AHRI Standard Conditions—Cooling (con't.)

Model Numbers		80°F [26.5°C] DB/67°F [19.5°C] WB Indoor Air 95°F [35°C] DB Outdoor Air					Sound Rating dB	Indoor CFM [L/s]	
Outdoor Unit 14AJM	Indoor Coil and/or Air Handler	Total Capacity BTU/H [kW]	Net Sensible BTU/H [kW]	Net Latent BTU/H [kW]	EER	SEER			
Rev. 7/1/10	RCFL-H*3621 (RGLT-07?BRQ?)	28,800 [8.4]	20,650 [6.1]	8,150 [2.4]	13.00	16.00	76	975 [460]	
	RCFL-H*3621 (RGLT-10?BRM?)	29,000 [8.5]	20,850 [6.1]	8,150 [2.4]	13.00	16.00	76	975 [460]	
	RCFL-H*3621 (RGPE-05?BMK?)	28,600 [8.4]	20,300 [5.9]	8,300 [2.4]	13.00	15.50	76	900 [425]	
	RCFL-H*3621 (RGPE-07?AMK?)	29,000 [8.5]	21,100 [6.2]	7,900 [2.3]	13.00	15.50	76	1,000 [472]	
	RCFL-H*3621 (RGPE-07?BRQ?)	29,200 [8.6]	21,300 [6.2]	7,900 [2.3]	13.00	16.00	76	1,025 [484]	
	RCFL-H*3621 (RGPE-10?BRM?)	28,800 [8.4]	20,450 [6.0]	8,350 [2.4]	13.00	16.00	76	900 [425]	
	RCFL-H*3621 (RGPR-05?BMK?)	28,800 [8.4]	20,950 [6.1]	7,850 [2.3]	12.00	14.50	76	1,000 [472]	
	RCFL-H*3621 (RGPR-07?AMK?)	28,200 [8.3]	19,550 [5.7]	8,650 [2.5]	13.00	15.10	76	800 [378]	
	RCFL-H*3621 (RGPR-07?BRQ?)	29,200 [8.6]	21,250 [6.2]	7,950 [2.3]	13.00	16.00	76	1,000 [472]	
	RCFL-H*3621 (RGPT-05?BMK?)	28,400 [8.3]	20,000 [5.9]	8,400 [2.5]	13.00	15.50	76	875 [413]	
	RCFL-H*3621 (RGPT-07?AME?)	28,600 [8.4]	20,200 [5.9]	8,400 [2.5]	13.00	15.50	76	875 [413]	
	RCFL-H*3621 (RGPT-07?BRQ?)	29,000 [8.5]	20,850 [6.1]	8,150 [2.4]	13.00	16.00	76	975 [460]	
	RCFL-H*3621 (RGRM-04?MAE?)	28,800 [8.4]	21,050 [6.2]	7,750 [2.3]	12.00	14.50	76	1,025 [484]	
	RCFL-H*3621 (RGRM-06?MAE?)	28,200 [8.3]	19,650 [5.8]	8,550 [2.5]	12.50	15.10	76	825 [389]	
	RCFL-H*3621 (RGRM-07?MAE?)	28,200 [8.3]	19,800 [5.8]	8,400 [2.5]	12.50	15.10	76	850 [401]	
	RCFL-H*3621 (RGRM-07?YBG?)	28,400 [8.3]	20,400 [6.0]	8,000 [2.3]	12.00	14.50	76	975 [460]	
	RCFL-H*3621 (RGRM-09?ZAJ?)	28,800 [8.4]	20,700 [6.1]	8,100 [2.4]	13.00	15.50	76	950 [448]	
	RCFL-H*3621 (RGRM-10?ZAJ?)	28,400 [8.3]	20,050 [5.9]	8,350 [2.4]	13.00	15.50	76	875 [413]	
	RCFL-H*3621 (RGTM-06?MAE?)	28,600 [8.4]	20,300 [5.9]	8,300 [2.4]	13.00	15.50	76	900 [425]	
	RCFL-H*3621 (RGTM-07?RBG?)	29,200 [8.6]	21,450 [6.3]	7,750 [2.3]	13.00	15.50	76	1,050 [495]	
	RCFL-H*3621 (RGTM-09?ZAJ?)	28,800 [8.4]	20,650 [6.1]	8,150 [2.4]	13.00	15.50	76	975 [460]	
	ROCA-070E03 (RCFL-H*3621)	29,000 [8.5]	21,050 [6.2]	7,950 [2.3]	13.00	15.50	76	1,000 [472]	
	ROCA-070E04 (RCFL-H*3621)	29,000 [8.5]	21,050 [6.2]	7,950 [2.3]	13.00	15.50	76	1,000 [472]	
	ROLA-070E03 (RCFL-H*3621)	28,600 [8.4]	20,300 [5.9]	8,300 [2.4]	13.00	15.50	76	900 [425]	
	ROLA-070E04 (RCFL-H*3621)	28,600 [8.4]	20,300 [5.9]	8,300 [2.4]	13.00	15.50	76	900 [425]	
	ROLA-115E05 (RCFL-H*3621)	29,200 [8.6]	21,450 [6.3]	7,750 [2.3]	13.00	15.50	76	1,050 [495]	
	30	RCFL-H*3621+RXMD-C04	28,200 [8.3]	20,250 [5.9]	7,950 [2.3]	12.00	14.50	76	950 [448]
		RCFL-H*3821	29,000 [8.5]	21,250 [6.2]	7,750 [2.3]	12.00	14.50	76	950 [448]
		RCFL-H*3821 (RGFD-06?MCK?)	29,400 [8.6]	21,750 [6.4]	7,650 [2.2]	12.50	15.10	76	1,000 [472]
		RCFL-H*3821 (RGFD-07?MCK?)	29,600 [8.7]	21,950 [6.4]	7,650 [2.2]	13.00	15.50	76	1,000 [472]
RCFL-H*3821 (RGFD-09?ZCM?)		29,200 [8.6]	20,950 [6.1]	8,250 [2.4]	13.00	16.00	76	850 [401]	
RCFL-H*3821 (RGFD-10?ZCM?)		29,200 [8.6]	20,950 [6.1]	8,250 [2.4]	13.00	16.00	76	850 [401]	
RCFL-H*3821 (RGFE-06?MCK?)		29,000 [8.5]	20,850 [6.1]	8,150 [2.4]	13.00	16.00	76	875 [413]	
RCFL-H*3821 (RGFE-07?MCK?)		29,000 [8.5]	20,650 [6.1]	8,350 [2.4]	13.00	16.00	76	825 [389]	
RCFL-H*3821 (RGFE-09?ZCM?)		29,200 [8.6]	21,000 [6.2]	8,200 [2.4]	13.00	16.00	76	875 [413]	
RCFL-H*3821 (RGFE-10?ZCM?)		29,400 [8.6]	21,300 [6.2]	8,100 [2.4]	13.00	16.00	76	900 [425]	
RCFL-H*3821 (RGGD-06?MCK?)		29,200 [8.6]	21,150 [6.2]	8,050 [2.4]	13.00	16.00	76	900 [425]	
RCFL-H*3821 (RGGD-07?MCK?)		29,600 [8.7]	21,700 [6.4]	7,900 [2.3]	13.00	16.00	76	925 [437]	
RCFL-H*3821 (RGGD-10?ZCM?)		29,000 [8.5]	20,650 [6.1]	8,350 [2.4]	13.00	16.00	76	825 [389]	
RCFL-H*3821 (RGGE-06?MCK?)		29,000 [8.5]	20,650 [6.1]	8,350 [2.4]	13.00	16.00	76	825 [389]	
RCFL-H*3821 (RGGE-07?MCK?)		29,200 [8.6]	21,050 [6.2]	8,150 [2.4]	13.00	16.00	76	875 [413]	
RCFL-H*3821 (RGGE-09?ZCM?)		29,200 [8.6]	21,000 [6.2]	8,200 [2.4]	13.00	16.00	76	875 [413]	
RCFL-H*3821 (RGGE-10?ZCM?)		29,200 [8.6]	21,000 [6.2]	8,200 [2.4]	13.00	16.00	76	875 [413]	
RCFL-H*3821 (RGJD-06?MCK?)		29,200 [8.6]	21,150 [6.2]	8,050 [2.4]	13.00	16.00	76	900 [425]	
RCFL-H*3821 (RGJD-07?MCK?)		29,600 [8.7]	21,700 [6.4]	7,900 [2.3]	13.00	16.00	76	925 [437]	
RCFL-H*3821 (RGJD-10?ZCM?)		29,000 [8.5]	20,650 [6.1]	8,350 [2.4]	13.00	16.00	76	825 [389]	
RCFL-H*3821 (RGJF-06?MCK?)		29,600 [8.7]	21,700 [6.4]	7,900 [2.3]	13.00	16.00	76	925 [437]	
RCFL-H*3821 (RGJF-07?MCK?)		29,200 [8.6]	21,050 [6.2]	8,150 [2.4]	13.00	16.00	76	875 [413]	
RCFL-H*3821 (RGJF-09?ZCM?)		29,200 [8.6]	21,000 [6.2]	8,200 [2.4]	13.00	16.00	76	875 [413]	
RCFL-H*3821 (RGJF-10?ZCM?)		29,200 [8.6]	21,000 [6.2]	8,200 [2.4]	13.00	16.00	76	875 [413]	
RCFL-H*3821 (RGLE-07?AMK?)		29,200 [8.6]	21,050 [6.2]	8,150 [2.4]	13.00	16.00	76	875 [413]	
RCFL-H*3821 (RGLE-07?BRQ?)		29,800 [8.7]	21,850 [6.4]	7,950 [2.3]	13.00	16.00	76	925 [437]	
RCFL-H*3821 (RGLE-10?BRM?)		29,400 [8.6]	21,200 [6.2]	8,200 [2.4]	13.00	16.00	76	875 [413]	

① Highest sales volume tested combination required by D.O.E. test procedures.

[] Designates Metric Conversions

Performance Data @ AHRI Standard Conditions—Cooling (con't.)

Model Numbers		80°F [26.5°C] DB/67°F [19.5°C] WB Indoor Air 95°F [35°C] DB Outdoor Air					Sound Rating dB	Indoor CFM [L/s]
Outdoor Unit 14AJM	Indoor Coil and/or Air Handler	Total Capacity BTU/H [kW]	Net Sensible BTU/H [kW]	Net Latent BTU/H [kW]	EER	SEER		
Rev. 7/1/10	RCFL-H*3821 (RGLR-07?AMK?)	29,600 [8.7]	21,650 [6.3]	7,950 [2.3]	13.00	16.00	76	925 [437]
	RCFL-H*3821 (RGLR-07?BRQ?)	29,400 [8.6]	21,300 [6.2]	8,100 [2.4]	13.00	16.00	76	900 [425]
	RCFL-H*3821 (RGLR-10?BRM?)	29,800 [8.7]	21,850 [6.4]	7,950 [2.3]	13.00	16.00	76	925 [437]
	RCFL-H*3821 (RGLT-07?AME?)	29,600 [8.7]	21,650 [6.3]	7,950 [2.3]	13.00	16.00	76	925 [437]
	RCFL-H*3821 (RGLT-07?BRQ?)	30,000 [8.8]	22,350 [6.5]	7,650 [2.2]	13.00	16.00	76	1,025 [484]
	RCFL-H*3821 (RGLT-10?BRM?)	30,000 [8.8]	22,350 [6.5]	7,650 [2.2]	13.00	16.00	76	1,025 [484]
	RCFL-H*3821 (RGPE-05?BMK?)	29,200 [8.6]	21,150 [6.2]	8,050 [2.4]	13.00	16.00	76	900 [425]
	RCFL-H*3821 (RGPE-07?AMK?)	29,000 [8.5]	20,650 [6.1]	8,350 [2.4]	13.00	16.00	76	825 [389]
	RCFL-H*3821 (RGPE-07?BRQ?)	29,400 [8.6]	21,300 [6.2]	8,100 [2.4]	13.00	16.00	76	900 [425]
	RCFL-H*3821 (RGPE-10?BRM?)	29,400 [8.6]	21,300 [6.2]	8,100 [2.4]	13.00	16.00	76	900 [425]
	RCFL-H*3821 (RGPR-05?BMK?)	29,200 [8.6]	21,150 [6.2]	8,050 [2.4]	13.00	15.50	76	900 [425]
	RCFL-H*3821 (RGPR-07?AMK?)	29,400 [8.6]	21,300 [6.2]	8,100 [2.4]	13.00	16.00	76	900 [425]
	RCFL-H*3821 (RGPR-07?BRQ?)	29,400 [8.6]	21,200 [6.2]	8,200 [2.4]	13.00	16.00	76	875 [413]
	RCFL-H*3821 (RGPR-10?BRM?)	29,600 [8.7]	21,650 [6.3]	7,950 [2.3]	13.00	16.00	76	925 [437]
	RCFL-H*3821 (RGPT-05?BMK?)	29,200 [8.6]	21,100 [6.2]	8,100 [2.4]	13.00	16.00	76	900 [425]
	RCFL-H*3821 (RGPT-07?AME?)	29,600 [8.7]	21,650 [6.3]	7,950 [2.3]	13.00	16.00	76	925 [437]
	RCFL-H*3821 (RGPT-07?BRQ?)	30,000 [8.8]	22,350 [6.5]	7,650 [2.2]	13.00	16.00	76	1,025 [484]
	RCFL-H*3821 (RGPT-10?BRM?)	30,000 [8.8]	22,350 [6.5]	7,650 [2.2]	13.00	16.00	76	1,025 [484]
	RCFL-H*3821 (RGRM-04?MAE?)	29,400 [8.6]	21,550 [6.3]	7,850 [2.3]	13.00	15.50	76	925 [437]
	RCFL-H*3821 (RGRM-06?MAE?)	28,800 [8.4]	20,450 [6.0]	8,350 [2.4]	13.00	16.00	76	825 [389]
	RCFL-H*3821 (RGRM-07?MAE?)	29,000 [8.5]	20,800 [6.1]	8,200 [2.4]	13.00	15.50	76	850 [401]
	RCFL-H*3821 (RGRM-07?YBG?)	28,800 [8.4]	20,600 [6.0]	8,200 [2.4]	13.00	15.50	76	850 [401]
	RCFL-H*3821 (RGRM-09?ZAJ?)	29,600 [8.7]	21,700 [6.4]	7,900 [2.3]	13.00	16.00	76	950 [448]
	RCFL-H*3821 (RGRM-10?ZAJ?)	29,200 [8.6]	21,050 [6.2]	8,150 [2.4]	13.00	16.00	76	875 [413]
	RCFL-H*3821 (RGTM-06?MAE?)	29,400 [8.6]	21,300 [6.2]	8,100 [2.4]	13.00	16.00	76	900 [425]
	RCFL-H*3821 (RGTM-07?RBG?)	29,600 [8.7]	21,700 [6.4]	7,900 [2.3]	13.00	16.00	76	950 [448]
	RCFL-H*3821 (RGTM-09?ZAJ?)	29,600 [8.7]	21,700 [6.4]	7,900 [2.3]	13.00	16.00	76	975 [460]
	ROCA-070E03 (RCFL-H*3821)	29,800 [8.7]	22,100 [6.5]	7,700 [2.3]	13.00	16.00	76	1,000 [472]
	ROCA-070E04 (RCFL-H*3821)	29,800 [8.7]	22,100 [6.5]	7,700 [2.3]	13.00	16.00	76	1,000 [472]
	ROLA-070E03 (RCFL-H*3821)	29,600 [8.7]	21,700 [6.4]	7,900 [2.3]	13.00	16.00	76	975 [460]
	ROLA-070E04 (RCFL-H*3821)	29,600 [8.7]	21,700 [6.4]	7,900 [2.3]	13.00	16.00	76	975 [460]
	ROLA-115E05 (RCFL-H*3821)	30,000 [8.8]	22,450 [6.6]	7,550 [2.2]	13.00	16.00	76	1,050 [495]
	RCFL-H*3824 (RGFE-09?ZCM?)	29,600 [8.7]	21,700 [6.4]	7,900 [2.3]	13.00	16.00	76	975 [460]
RCFL-H*3824 (RGFE-10?ZCM?)	29,800 [8.7]	22,100 [6.5]	7,700 [2.3]	13.00	16.00	76	1,000 [472]	
RCFL-H*3824 (RGFE-12?RCM?)	30,000 [8.8]	22,350 [6.5]	7,650 [2.2]	13.00	16.00	76	1,025 [484]	
RCFL-H*3824 (RGGD-10?ZCM?)	29,000 [8.5]	20,650 [6.1]	8,350 [2.4]	13.00	16.00	76	825 [389]	
RCFL-H*3824 (RGGD-12?RCM?)	29,400 [8.6]	21,300 [6.2]	8,100 [2.4]	13.00	16.00	76	900 [425]	
RCFL-H*3824 (RGGE-09?ZCM?)	29,800 [8.7]	22,050 [6.5]	7,750 [2.3]	13.00	16.00	76	1,000 [472]	
RCFL-H*3824 (RGGE-10?ZCM?)	29,800 [8.7]	22,100 [6.5]	7,700 [2.3]	13.00	16.00	76	1,000 [472]	
RCFL-H*3824 (RGGE-12?RCM?)	30,000 [8.8]	22,250 [6.5]	7,750 [2.3]	13.00	16.00	76	1,000 [472]	
RCFL-H*3824 (RGJD-10?ZCM?)	29,000 [8.5]	20,650 [6.1]	8,350 [2.4]	13.00	16.00	76	825 [389]	
RCFL-H*3824 (RGJD-12?RCM?)	29,400 [8.6]	21,300 [6.2]	8,100 [2.4]	13.00	16.00	76	900 [425]	
RCFL-H*3824 (RGJF-09?ZCM?)	29,800 [8.7]	22,050 [6.5]	7,750 [2.3]	13.00	16.00	76	1,000 [472]	
RCFL-H*3824 (RGJF-10?ZCM?)	29,800 [8.7]	22,100 [6.5]	7,700 [2.3]	13.00	16.00	76	1,000 [472]	
RCFL-H*3824 (RGJF-12?RCM?)	30,000 [8.8]	22,250 [6.5]	7,750 [2.3]	13.00	16.00	76	1,000 [472]	
RCFL-H*3824 (RGLE-07?BRQ?)	30,000 [8.8]	22,350 [6.5]	7,650 [2.2]	13.00	16.00	76	1,025 [484]	
RCFL-H*3824 (RGLE-10?BRM?)	30,200 [8.8]	22,650 [6.6]	7,550 [2.2]	13.00	16.00	76	1,050 [495]	
RCFL-H*3824 (RGLE-12?ARM?)	29,800 [8.7]	21,850 [6.4]	7,950 [2.3]	13.00	16.00	76	925 [437]	
RCFL-H*3824 (RGLR-07?BRQ?)	29,800 [8.7]	22,050 [6.5]	7,750 [2.3]	13.00	16.00	76	1,000 [472]	
RCFL-H*3824 (RGLR-10?BRM?)	29,800 [8.7]	21,850 [6.4]	7,950 [2.3]	13.00	16.00	76	925 [437]	
RCFL-H*3824 (RGLR-12?ARM?)	30,000 [8.8]	22,200 [6.5]	7,800 [2.3]	13.00	16.00	76	1,000 [472]	
RCFL-H*3824 (RGLT-07?BRQ?)	30,000 [8.8]	22,350 [6.5]	7,650 [2.2]	13.00	16.00	76	1,025 [484]	
RCFL-H*3824 (RGLT-10?BRM?)	30,000 [8.8]	22,350 [6.5]	7,650 [2.2]	13.00	16.00	76	1,025 [484]	

① Highest sales volume tested combination required by D.O.E. test procedures.

[] Designates Metric Conversions

Performance Data @ AHRI Standard Conditions—Cooling (con't.)

Model Numbers		80°F [26.5°C] DB/67°F [19.5°C] WB Indoor Air 95°F [35°C] DB Outdoor Air					Sound Rating dB	Indoor CFM [L/s]
Outdoor Unit 14AJM	Indoor Coil and/or Air Handler	Total Capacity BTU/H [kW]	Net Sensible BTU/H [kW]	Net Latent BTU/H [kW]	EER	SEER		
Rev. 7/1/10	RCFL-H*3824 (RGLT-12?ARM?)	29,800 [8.7]	21,850 [6.4]	7,950 [2.3]	13.00	16.00	76	975 [460]
	RCFL-H*3824 (RGPE-07?BRQ?)	30,000 [8.8]	22,350 [6.5]	7,650 [2.2]	13.00	16.00	76	1,025 [484]
	RCFL-H*3824 (RGPE-10?BRM?)	30,200 [8.8]	22,750 [6.7]	7,450 [2.2]	13.00	16.00	76	1,075 [507]
	RCFL-H*3824 (RGPE-12?ARM?)	30,400 [8.9]	22,950 [6.7]	7,450 [2.2]	13.00	16.00	76	1,075 [507]
	RCFL-H*3824 (RGPR-07?BRQ?)	29,800 [8.7]	22,050 [6.5]	7,750 [2.3]	13.00	16.00	76	1,000 [472]
	RCFL-H*3824 (RGPR-10?BRM?)	29,600 [8.7]	21,650 [6.3]	7,950 [2.3]	13.00	16.00	76	925 [437]
	RCFL-H*3824 (RGPR-12?ARM?)	30,000 [8.8]	22,250 [6.5]	7,750 [2.3]	13.00	16.00	76	1,000 [472]
	RCFL-H*3824 (RGPT-07?BRQ?)	30,000 [8.8]	22,350 [6.5]	7,650 [2.2]	13.00	16.00	76	1,025 [484]
	RCFL-H*3824 (RGPT-10?BRM?)	30,000 [8.8]	22,350 [6.5]	7,650 [2.2]	13.00	16.00	76	1,025 [484]
	RCFL-H*3824 (RGPT-12?ARM?)	29,800 [8.7]	21,850 [6.4]	7,950 [2.3]	13.00	16.00	76	975 [460]
	RCFL-H*3824 (RGRM-07?YBG?)	28,800 [8.4]	20,600 [6.0]	8,200 [2.4]	13.00	15.50	76	850 [401]
	RCFL-H*3824 (RGRM-09?ZAJ?)	29,600 [8.7]	21,700 [6.4]	7,900 [2.3]	13.00	16.00	76	950 [448]
	RCFL-H*3824 (RGRM-10?ZAJ?)	29,200 [8.6]	21,050 [6.2]	8,150 [2.4]	13.00	16.00	76	875 [413]
	RCFL-H*3824 (RGRM-12?RAJ?)	29,600 [8.7]	21,650 [6.3]	7,950 [2.3]	13.00	16.00	76	925 [437]
	RCFL-H*3824 (RGTM-07?RBG?)	29,600 [8.7]	21,700 [6.4]	7,900 [2.3]	13.00	16.00	76	950 [448]
	RCFL-H*3824 (RGTM-09?ZAJ?)	29,600 [8.7]	21,700 [6.4]	7,900 [2.3]	13.00	16.00	76	975 [460]
	RCFL-H*3824 (RGTM-10?RBG?)	29,600 [8.7]	21,700 [6.4]	7,900 [2.3]	13.00	16.00	76	975 [460]
	ROCA-070E03 (RCFL-H*3824)	29,800 [8.7]	22,100 [6.5]	7,700 [2.3]	13.00	16.00	76	1,000 [472]
	ROCA-070E04 (RCFL-H*3824)	29,800 [8.7]	22,100 [6.5]	7,700 [2.3]	13.00	16.00	76	1,000 [472]
	ROLA-070E03 (RCFL-H*3824)	29,600 [8.7]	21,700 [6.4]	7,900 [2.3]	13.00	16.00	76	975 [460]
	ROLA-070E04 (RCFL-H*3824)	29,600 [8.7]	21,700 [6.4]	7,900 [2.3]	13.00	16.00	76	975 [460]
	ROLA-115E05 (RCFL-H*3824)	30,000 [8.8]	22,450 [6.6]	7,550 [2.2]	13.00	16.00	76	1,050 [495]
	RBHP-21 (RCHL-36A1)	28,600 [8.4]	20,400 [6.0]	8,200 [2.4]	13.00	16.00	76	1,000 [472]
	RCQD-3621	29,000 [8.5]	21,750 [6.4]	7,250 [2.1]	12.00	14.50	76	1,000 [472]
	RCQD-3621 (RGFD-06?MCK?)	29,000 [8.5]	21,150 [6.2]	7,850 [2.3]	13.00	15.50	76	875 [413]
	RCQD-3621 (RGFD-07?MCK?)	29,200 [8.6]	21,450 [6.3]	7,750 [2.3]	13.00	16.00	76	900 [425]
	RCQD-3621 (RGFD-09?ZCM?)	29,200 [8.6]	21,200 [6.2]	8,000 [2.3]	13.00	16.00	76	850 [401]
	RCQD-3621 (RGFD-10?ZCM?)	29,200 [8.6]	21,200 [6.2]	8,000 [2.3]	13.00	16.00	76	850 [401]
	RCQD-3621 (RGFE-06?MCK?)	29,000 [8.5]	21,150 [6.2]	7,850 [2.3]	13.00	16.00	76	875 [413]
	RCQD-3621 (RGFE-07?MCK?)	29,000 [8.5]	20,950 [6.1]	8,050 [2.4]	13.00	16.00	76	825 [389]
RCQD-3621 (RGFE-09?ZCM?)	29,800 [8.7]	22,350 [6.5]	7,450 [2.2]	13.00	16.00	76	975 [460]	
RCQD-3621 (RGFE-10?ZCM?)	29,800 [8.7]	22,350 [6.5]	7,450 [2.2]	13.00	16.00	76	1,000 [472]	
RCQD-3621 (RGJD-06?MCK?)	29,200 [8.6]	21,400 [6.3]	7,800 [2.3]	13.00	16.00	76	900 [425]	
RCQD-3621 (RGJD-07?MCK?)	29,400 [8.6]	21,700 [6.4]	7,700 [2.3]	13.00	16.00	76	925 [437]	
RCQD-3621 (RGJD-10?ZCM?)	29,000 [8.5]	20,900 [6.1]	8,100 [2.4]	13.00	16.00	76	825 [389]	
RCQD-3621 (RGJF-06?MCK?)	29,000 [8.5]	20,900 [6.1]	8,100 [2.4]	13.00	16.00	76	825 [389]	
RCQD-3621 (RGJF-07?MCK?)	29,000 [8.5]	21,150 [6.2]	7,850 [2.3]	13.00	16.00	76	875 [413]	
RCQD-3621 (RGJF-09?ZCM?)	29,800 [8.7]	22,350 [6.5]	7,450 [2.2]	13.00	16.00	76	1,000 [472]	
RCQD-3621 (RGJF-10?ZCM?)	29,800 [8.7]	22,350 [6.5]	7,450 [2.2]	13.00	16.00	76	1,000 [472]	
RCQD-3621 (RGPE-05?BMK?)	29,200 [8.6]	21,400 [6.3]	7,800 [2.3]	13.00	16.00	76	900 [425]	
RCQD-3621 (RGPE-07?AMK?)	29,000 [8.5]	20,900 [6.1]	8,100 [2.4]	13.00	16.00	76	825 [389]	
RCQD-3621 (RGPE-07?BRQ?)	29,400 [8.6]	21,550 [6.3]	7,850 [2.3]	13.00	16.00	76	900 [425]	
RCQD-3621 (RGPE-10?BRM?)	29,400 [8.6]	21,550 [6.3]	7,850 [2.3]	13.00	16.00	76	900 [425]	
RCQD-3621 (RGPR-05?BMK?)	29,200 [8.6]	21,450 [6.3]	7,750 [2.3]	13.00	15.50	76	900 [425]	
RCQD-3621 (RGPR-07?AMK?)	29,200 [8.6]	21,400 [6.3]	7,800 [2.3]	13.00	16.00	76	900 [425]	
RCQD-3621 (RGPR-07?BRQ?)	30,200 [8.8]	22,950 [6.7]	7,250 [2.1]	13.00	16.00	76	1,050 [495]	
RCQD-3621 (RGPR-10?BRM?)	29,400 [8.6]	21,650 [6.3]	7,750 [2.3]	13.00	16.00	76	925 [437]	
RCQD-3621 (RGPT-05?BMK?)	29,200 [8.6]	21,400 [6.3]	7,800 [2.3]	13.00	16.00	76	900 [425]	
RCQD-3621 (RGPT-07?AME?)	29,400 [8.6]	21,700 [6.4]	7,700 [2.3]	13.00	16.00	76	925 [437]	
RCQD-3621 (RGPT-07?BRQ?)	30,200 [8.8]	22,900 [6.7]	7,300 [2.1]	13.00	16.00	76	1,050 [495]	
RCQD-3621 (RGPT-10?BRM?)	30,200 [8.8]	22,950 [6.7]	7,250 [2.1]	13.00	16.00	76	1,050 [495]	
RCQD-3621 (RGRM-04?MAE?)	29,200 [8.6]	21,550 [6.3]	7,650 [2.2]	13.00	15.50	76	925 [437]	
RCQD-3621 (RGRM-06?MAE?)	29,000 [8.5]	20,950 [6.1]	8,050 [2.4]	13.00	16.00	76	825 [389]	

① Highest sales volume tested combination required by D.O.E. test procedures.

[] Designates Metric Conversions

Performance Data @ AHRI Standard Conditions—Cooling (con't.)

Model Numbers		80°F [26.5°C] DB/67°F [19.5°C] WB Indoor Air 95°F [35°C] DB Outdoor Air					Sound Rating dB	Indoor CFM [L/s]
Outdoor Unit 14AJM	Indoor Coil and/or Air Handler	Total Capacity BTU/H [kW]	Net Sensible BTU/H [kW]	Net Latent BTU/H [kW]	EER	SEER		
Rev. 7/1/10	RCQD-3621 (RGRM-07?MAE?)	29,000 [8.5]	21,050 [6.2]	7,950 [2.3]	13.00	15.50	76	850 [401]
	RCQD-3621 (RGRM-07?YBG?)	28,800 [8.4]	20,850 [6.1]	7,950 [2.3]	13.00	15.50	76	850 [401]
	RCQD-3621 (RGRM-09?ZAJ?)	29,400 [8.6]	21,800 [6.4]	7,600 [2.2]	13.00	16.00	76	950 [448]
	RCQD-3621 (RGRM-10?ZAJ?)	29,200 [8.6]	21,300 [6.2]	7,900 [2.3]	13.00	16.00	76	875 [413]
	ROCA-070E03 (RCQD-3621)	29,800 [8.7]	22,350 [6.5]	7,450 [2.2]	13.00	16.00	76	1,000 [472]
	ROCA-070E04 (RCQD-3621)	29,800 [8.7]	22,350 [6.5]	7,450 [2.2]	13.00	16.00	76	1,000 [472]
	ROLA-070E03 (RCQD-3621)	29,800 [8.7]	22,350 [6.5]	7,450 [2.2]	13.00	16.00	76	975 [460]
	ROLA-070E04 (RCQD-3621)	29,800 [8.7]	22,350 [6.5]	7,450 [2.2]	13.00	16.00	76	1,025 [484]
	ROLA-115E05 (RCQD-3621)	30,000 [8.8]	22,750 [6.7]	7,250 [2.1]	13.00	16.00	76	1,050 [495]
	RCQD-3624	29,000 [8.5]	21,750 [6.4]	7,250 [2.1]	12.00	14.50	76	1,000 [472]
	RCQD-3624 (RGFD-09?ZCM?)	29,200 [8.6]	21,200 [6.2]	8,000 [2.3]	13.00	16.00	76	850 [401]
	RCQD-3624 (RGFD-10?ZCM?)	29,000 [8.5]	21,000 [6.2]	8,000 [2.3]	13.00	16.00	76	850 [401]
	RCQD-3624 (RGFD-12?RCM?)	29,400 [8.6]	21,600 [6.3]	7,800 [2.3]	13.00	16.00	76	900 [425]
	RCQD-3624 (RGFE-09?ZCM?)	29,800 [8.7]	22,350 [6.5]	7,450 [2.2]	13.00	16.00	76	975 [460]
	RCQD-3624 (RGFE-10?ZCM?)	29,800 [8.7]	22,350 [6.5]	7,450 [2.2]	13.00	16.00	76	1,000 [472]
	RCQD-3624 (RGFE-12?RCM?)	29,800 [8.7]	22,350 [6.5]	7,450 [2.2]	13.00	16.00	76	975 [460]
	RCQD-3624 (RGJD-10?ZCM?)	29,000 [8.5]	20,900 [6.1]	8,100 [2.4]	13.00	16.00	76	825 [389]
	RCQD-3624 (RGJD-12?RCM?)	29,400 [8.6]	21,550 [6.3]	7,850 [2.3]	13.00	16.00	76	900 [425]
	RCQD-3624 (RGJF-09?ZCM?)	29,800 [8.7]	22,350 [6.5]	7,450 [2.2]	13.00	16.00	76	1,000 [472]
	RCQD-3624 (RGJF-10?ZCM?)	29,800 [8.7]	22,350 [6.5]	7,450 [2.2]	13.00	16.00	76	1,000 [472]
	RCQD-3624 (RGJF-12?RCM?)	30,000 [8.8]	22,550 [6.6]	7,450 [2.2]	13.00	16.00	76	1,000 [472]
	RCQD-3624 (RGPE-07?BRQ?)	29,800 [8.7]	22,350 [6.5]	7,450 [2.2]	13.00	16.00	76	1,025 [484]
	RCQD-3624 (RGPE-10?BRM?)	30,200 [8.8]	23,000 [6.7]	7,200 [2.1]	13.00	16.00	76	1,075 [507]
	RCQD-3624 (RGPE-12?ARM?)	30,200 [8.8]	23,000 [6.7]	7,200 [2.1]	13.00	16.00	76	1,075 [507]
	RCQD-3624 (RGPR-07?BRQ?)	29,800 [8.7]	22,350 [6.5]	7,450 [2.2]	13.00	16.00	76	1,000 [472]
	RCQD-3624 (RGPR-10?BRM?)	29,600 [8.7]	21,850 [6.4]	7,750 [2.3]	13.00	16.00	76	925 [437]
	RCQD-3624 (RGPR-12?ARM?)	30,000 [8.8]	22,550 [6.6]	7,450 [2.2]	13.00	16.00	76	1,000 [472]
	RCQD-3624 (RGPT-07?BRQ?)	30,200 [8.8]	22,900 [6.7]	7,300 [2.1]	13.00	16.00	76	1,050 [495]
	RCQD-3624 (RGPT-10?BRM?)	30,200 [8.8]	23,000 [6.7]	7,200 [2.1]	13.00	16.00	76	1,075 [507]
	RCQD-3624 (RGPT-12?ARM?)	30,000 [8.8]	22,500 [6.6]	7,500 [2.2]	13.00	16.00	76	975 [460]
	RCQD-3624 (RGRM-07?YBG?)	28,800 [8.4]	20,850 [6.1]	7,950 [2.3]	13.00	15.50	76	850 [401]
	RCQD-3624 (RGRM-09?ZAJ?)	29,600 [8.7]	22,000 [6.4]	7,600 [2.2]	13.00	16.00	76	950 [448]
	RCQD-3624 (RGRM-10?ZAJ?)	29,200 [8.6]	21,300 [6.2]	7,900 [2.3]	13.00	16.00	76	875 [413]
	RCQD-3624 (RGRM-12?RAJ?)	29,600 [8.7]	21,850 [6.4]	7,750 [2.3]	13.00	16.00	76	925 [437]
	ROCA-070E03 (RCQD-3624)	29,800 [8.7]	22,350 [6.5]	7,450 [2.2]	13.00	16.00	76	1,000 [472]
	ROCA-070E04 (RCQD-3624)	29,800 [8.7]	22,350 [6.5]	7,450 [2.2]	13.00	16.00	76	1,000 [472]
ROLA-070E03 (RCQD-3624)	29,800 [8.7]	22,350 [6.5]	7,450 [2.2]	13.00	16.00	76	975 [460]	
ROLA-070E04 (RCQD-3624)	29,800 [8.7]	22,350 [6.5]	7,450 [2.2]	13.00	16.00	76	975 [460]	
ROLA-115E05 (RCQD-3624)	29,400 [8.6]	21,600 [6.3]	7,800 [2.3]	13.00	16.00	76	900 [425]	
RHKL-HM3617 (RCSL-H*3617)	29,200 [8.6]	21,350 [6.3]	7,850 [2.3]	13.00	15.50	76	1,025 [484]	
RHLL-HM3617 (RCSL-H*3617)	29,200 [8.6]	21,250 [6.2]	7,950 [2.3]	13.00	16.00	76	1,000 [472]	
RHSL-HM3017 (RCSL-H*3617)	28,400 [8.3]	20,400 [6.0]	8,000 [2.3]	12.00	14.50	76	950 [448]	
RHKL-HM3821 (RCSL-H*3821)	30,000 [8.8]	22,250 [6.5]	7,750 [2.3]	13.00	16.00	76	1,000 [472]	
RHLL-HM3821 (RCSL-H*3821)	29,600 [8.7]	21,650 [6.3]	7,950 [2.3]	13.00	16.00	76	975 [460]	
36	RCFL-H*3617+RXMD-C04 ①	35,000 [10.3]	24,350 [7.1]	10,650 [3.1]	12.00	14.50	77	1,075 [507]
	RHAL-FR36P	36,000 [10.5]	26,600 [7.8]	9,400 [2.8]	12.00	14.50	77	1,200 [566]
	RHAL-FR36T	36,000 [10.5]	26,600 [7.8]	9,400 [2.8]	12.00	14.50	77	1,200 [566]
	RHBL-FR36T	37,400 [11.0]	27,750 [8.1]	9,650 [2.8]	13.00	15.50	77	1,150 [543]
	RCFL-A*3617 (RGFD-06?MCK?)	34,800 [10.2]	23,800 [7.0]	11,000 [3.2]	12.00	14.50	77	1,000 [472]
	RCFL-A*3617 (RGFD-07?MCK?)	35,000 [10.3]	23,950 [7.0]	11,050 [3.2]	12.50	15.00	77	1,000 [472]
	RCFL-A*3617 (RGFE-06?MCK?)	35,000 [10.3]	23,950 [7.0]	11,050 [3.2]	12.50	15.00	77	1,000 [472]
	RCFL-A*3617 (RGFE-07?MCK?)	35,000 [10.3]	24,050 [7.0]	10,950 [3.2]	12.50	14.50	77	1,025 [484]
	RCFL-A*3617 (RGGD-06?MCK?)	35,000 [10.3]	23,950 [7.0]	11,050 [3.2]	12.50	15.00	77	1,000 [472]

① Highest sales volume tested combination required by D.O.E. test procedures.

[] Designates Metric Conversions

Performance Data @ AHRI Standard Conditions—Cooling (con't.)

Model Numbers		80°F [26.5°C] DB/67°F [19.5°C] WB Indoor Air 95°F [35°C] DB Outdoor Air					Sound Rating dB	Indoor CFM [L/s]
Outdoor Unit 14AJM	Indoor Coil and/or Air Handler	Total Capacity BTU/H [kW]	Net Sensible BTU/H [kW]	Net Latent BTU/H [kW]	EER	SEER		
Rev. 7/1/10	RCFL-A*3617 (RGGD-07?MCK?)	35,000 [10.3]	24,050 [7.0]	10,950 [3.2]	12.50	15.00	77	1,025 [484]
	RCFL-A*3617 (RGGE-06?MCK?)	35,200 [10.3]	24,200 [7.1]	11,000 [3.2]	12.50	15.10	77	1,025 [484]
	RCFL-A*3617 (RGGE-07?MCK?)	35,200 [10.3]	24,200 [7.1]	11,000 [3.2]	12.50	15.10	77	1,025 [484]
	RCFL-A*3617 (RGLE-07?AMK?)	35,200 [10.3]	24,200 [7.1]	11,000 [3.2]	13.00	15.10	77	1,025 [484]
	RCFL-A*3617 (RGLE-07?BRQ?)	35,400 [10.4]	24,350 [7.1]	11,050 [3.2]	13.00	15.50	77	1,025 [484]
	RCFL-A*3617 (RGLR-07?AMK?)	35,200 [10.3]	24,200 [7.1]	11,000 [3.2]	12.50	15.10	77	1,025 [484]
	RCFL-A*3617 (RGLT-07?AME?)	35,600 [10.4]	24,800 [7.3]	10,800 [3.2]	12.50	15.10	77	1,050 [495]
	RCFL-A*3617 (RGPE-07?AMK?)	35,000 [10.3]	23,900 [7.0]	11,100 [3.3]	12.50	15.10	77	1,000 [472]
	RCFL-A*3617 (RGPR-05?BMK?)	34,800 [10.2]	23,750 [7.0]	11,050 [3.2]	12.00	14.50	77	1,000 [472]
	RCFL-A*3617 (RGPR-07?AMK?)	35,000 [10.3]	23,900 [7.0]	11,100 [3.3]	12.50	15.10	77	1,000 [472]
36	RCFL-A*3617 (RGPT-05?BMK?)	35,400 [10.4]	24,650 [7.2]	10,750 [3.1]	12.50	15.00	77	1,050 [495]
	RCFL-A*3617 (RGPT-07?AME?)	35,400 [10.4]	24,600 [7.2]	10,800 [3.2]	12.50	15.10	77	1,050 [495]
	RCFL-A*3617 (RGTM-06?MAE?)	35,400 [10.4]	24,650 [7.2]	10,750 [3.1]	12.50	15.10	77	1,075 [507]
	RCFL-A*3617 (RGTM-07?RBG?)	35,600 [10.4]	24,750 [7.3]	10,850 [3.2]	13.00	15.50	77	1,050 [495]
	RCFL-A*3617 (RGTM-09?ZAJ?)	35,600 [10.4]	24,800 [7.3]	10,800 [3.2]	12.50	15.10	77	1,100 [519]
	ROCA-070E03 (RCFL-A*3617)	35,200 [10.3]	24,100 [7.1]	11,100 [3.3]	12.50	15.10	77	1,000 [472]
	ROCA-070E04 (RCFL-A*3617)	35,200 [10.3]	24,100 [7.1]	11,100 [3.3]	12.50	15.10	77	1,000 [472]
	ROLA-070E03 (RCFL-A*3617)	35,800 [10.5]	25,500 [7.5]	10,300 [3.0]	12.50	15.10	77	1,175 [554]
	ROLA-070E04 (RCFL-A*3617)	35,800 [10.5]	25,500 [7.5]	10,300 [3.0]	12.50	15.10	77	1,175 [554]
	RCFL-A*3617+RXMD-C04	35,000 [10.3]	24,350 [7.1]	10,650 [3.1]	12.00	14.50	77	1,075 [507]
	RCFL-A*3621 (RGFD-06?MCK?)	34,800 [10.2]	23,800 [7.0]	11,000 [3.2]	12.00	14.50	77	1,000 [472]
	RCFL-A*3621 (RGFD-07?MCK?)	35,000 [10.3]	23,950 [7.0]	11,050 [3.2]	12.50	15.00	77	1,000 [472]
	RCFL-A*3621 (RGFD-09?ZCM?)	35,800 [10.5]	25,350 [7.4]	10,450 [3.1]	12.50	15.10	77	1,150 [543]
	RCFL-A*3621 (RGFD-10?ZCM?)	35,800 [10.5]	25,500 [7.5]	10,300 [3.0]	12.00	14.50	77	1,175 [554]
	RCFL-A*3621 (RGFE-06?MCK?)	35,000 [10.3]	23,900 [7.0]	11,100 [3.3]	12.50	15.00	77	1,000 [472]
	RCFL-A*3621 (RGFE-07?MCK?)	35,000 [10.3]	24,050 [7.0]	10,950 [3.2]	12.50	15.00	77	1,025 [484]
	RCFL-A*3621 (RGFE-09?ZCM?)	36,000 [10.5]	25,800 [7.6]	10,200 [3.0]	12.50	14.50	77	1,200 [566]
	RCFL-A*3621 (RGFE-10?ZCM?)	35,200 [10.3]	24,050 [7.0]	11,150 [3.3]	13.00	15.50	77	1,000 [472]
	RCFL-A*3621 (RGGD-06?MCK?)	35,000 [10.3]	23,950 [7.0]	11,050 [3.2]	12.50	15.10	77	1,000 [472]
	RCFL-A*3621 (RGGD-07?MCK?)	35,000 [10.3]	24,050 [7.0]	10,950 [3.2]	12.50	15.00	77	1,025 [484]
	RCFL-A*3621 (RGGE-06?MCK?)	35,200 [10.3]	24,200 [7.1]	11,000 [3.2]	12.50	15.10	77	1,025 [484]
	RCFL-A*3621 (RGGE-07?MCK?)	35,200 [10.3]	24,200 [7.1]	11,000 [3.2]	12.50	15.10	77	1,025 [484]
	RCFL-A*3621 (RGGE-09?ZCM?)	35,200 [10.3]	24,150 [7.1]	11,050 [3.2]	13.00	15.50	77	1,025 [484]
	RCFL-A*3621 (RGGE-10?ZCM?)	35,600 [10.4]	24,800 [7.3]	10,800 [3.2]	13.00	15.50	77	1,050 [495]
	RCFL-A*3621 (RGLE-07?AMK?)	35,200 [10.3]	24,150 [7.1]	11,050 [3.2]	13.00	15.50	77	1,025 [484]
	RCFL-A*3621 (RGLE-10?BRM?)	35,800 [10.5]	24,900 [7.3]	10,900 [3.2]	13.00	16.00	77	1,050 [495]
	RCFL-A*3621 (RGLR-07?AMK?)	35,200 [10.3]	24,200 [7.1]	11,000 [3.2]	12.50	15.10	77	1,025 [484]
	RCFL-A*3621 (RGLT-07?AME?)	35,600 [10.4]	24,800 [7.3]	10,800 [3.2]	13.00	15.50	77	1,075 [507]
	RCFL-A*3621 (RGLT-07?BRQ?)	36,200 [10.6]	25,950 [7.6]	10,250 [3.0]	12.50	15.10	77	1,200 [566]
	RCFL-A*3621 (RGLT-10?BRM?)	36,000 [10.5]	25,650 [7.5]	10,350 [3.0]	13.00	15.50	77	1,175 [554]
	RCFL-A*3621 (RGPE-05?BMK?)	35,800 [10.5]	25,650 [7.5]	10,150 [3.0]	12.00	14.50	77	1,200 [566]
	RCFL-A*3621 (RGPE-07?AMK?)	35,200 [10.3]	24,100 [7.1]	11,100 [3.3]	12.50	15.10	77	1,000 [472]
	RCFL-A*3621 (RGPE-07?BRQ?)	35,600 [10.4]	24,750 [7.3]	10,850 [3.2]	13.00	15.50	77	1,050 [495]
	RCFL-A*3621 (RGPE-10?BRM?)	35,600 [10.4]	24,750 [7.3]	10,850 [3.2]	13.00	15.50	77	1,075 [507]
	RCFL-A*3621 (RGPR-05?BMK?)	34,800 [10.2]	23,750 [7.0]	11,050 [3.2]	12.00	14.50	77	1,000 [472]
	RCFL-A*3621 (RGPR-07?AMK?)	35,000 [10.3]	23,900 [7.0]	11,100 [3.3]	12.50	15.10	77	1,000 [472]
	RCFL-A*3621 (RGPT-05?BMK?)	35,400 [10.4]	24,650 [7.2]	10,750 [3.1]	12.50	15.10	77	1,075 [507]
	RCFL-A*3621 (RGPT-07?AME?)	35,400 [10.4]	24,600 [7.2]	10,800 [3.2]	12.50	15.10	77	1,050 [495]
	RCFL-A*3621 (RGPT-07?BRQ?)	35,800 [10.5]	24,900 [7.3]	10,900 [3.2]	13.00	16.00	77	1,050 [495]
	RCFL-A*3621 (RGPT-10?BRM?)	36,200 [10.6]	25,800 [7.6]	10,400 [3.0]	13.00	15.50	77	1,175 [554]
RCFL-A*3621 (RGRM-09?ZAJ?)	35,400 [10.4]	24,650 [7.2]	10,750 [3.1]	12.50	15.10	77	1,075 [507]	
RCFL-A*3621 (RGRM-10?ZAJ?)	35,200 [10.3]	24,200 [7.1]	11,000 [3.2]	12.50	15.10	77	1,025 [484]	
ROCA-070E03 (RCFL-A*3621)	35,200 [10.3]	24,050 [7.0]	11,150 [3.3]	12.50	15.10	77	1,000 [472]	

① Highest sales volume tested combination required by D.O.E. test procedures.

[] Designates Metric Conversions

Performance Data @ AHRI Standard Conditions—Cooling (con't.)

Model Numbers		80°F [26.5°C] DB/67°F [19.5°C] WB Indoor Air 95°F [35°C] DB Outdoor Air					Sound Rating dB	Indoor CFM [L/s]
Outdoor Unit 14AJM	Indoor Coil and/or Air Handler	Total Capacity BTU/H [kW]	Net Sensible BTU/H [kW]	Net Latent BTU/H [kW]	EER	SEER		
Rev. 7/1/10	ROCA-070E04 (RCFL-A*3621)	35,200 [10.3]	24,050 [7.0]	11,150 [3.3]	12.50	15.10	77	1,000 [472]
	ROLA-070E03 (RCFL-A*3621)	36,000 [10.5]	25,650 [7.5]	10,350 [3.0]	12.50	15.10	77	1,175 [554]
	ROLA-070E04 (RCFL-A*3621)	35,400 [10.4]	24,350 [7.1]	11,050 [3.2]	13.00	15.50	77	1,025 [484]
	ROLA-115E05 (RCFL-A*3621)	35,600 [10.4]	24,750 [7.3]	10,850 [3.2]	13.00	15.50	77	1,050 [495]
	RCFL-A*3621+RXMD-C04	35,000 [10.3]	24,350 [7.1]	10,650 [3.1]	12.00	14.50	77	1,075 [507]
	RCFL-A*3821 (RGLT-07?AME?)	37,200 [10.9]	26,550 [7.8]	10,650 [3.1]	13.00	16.00	77	1,100 [519]
	RCFL-A*3821 (RGLT-07?BRQ?)	37,800 [11.1]	27,850 [8.2]	9,950 [2.9]	13.00	16.00	77	1,250 [590]
	RCFL-A*3821 (RGLT-10?BRM?)	38,000 [11.1]	28,050 [8.2]	9,950 [2.9]	13.00	16.00	77	1,250 [590]
	RCFL-A*3821 (RGPT-05?BMK?)	37,000 [10.8]	26,400 [7.7]	10,600 [3.1]	13.00	15.50	77	1,100 [519]
	RCFL-A*3821 (RGPT-07?AME?)	37,000 [10.8]	26,350 [7.7]	10,650 [3.1]	13.00	15.50	77	1,100 [519]
	RCFL-A*3821 (RGPT-07?BRQ?)	37,000 [10.8]	26,000 [7.6]	11,000 [3.2]	13.00	16.00	77	1,050 [495]
	RCFL-A*3821 (RGPT-10?BRM?)	37,800 [11.1]	27,650 [8.1]	10,150 [3.0]	13.00	16.00	77	1,225 [578]
36	ROCA-070E03 (RCFL-A*3821)	37,600 [11.0]	27,550 [8.1]	10,050 [2.9]	13.00	15.50	77	1,200 [566]
	ROCA-070E04 (RCFL-A*3821)	37,600 [11.0]	27,550 [8.1]	10,050 [2.9]	13.00	15.50	77	1,200 [566]
	ROLA-070E03 (RCFL-A*3821)	37,400 [11.0]	27,100 [7.9]	10,300 [3.0]	13.00	15.50	77	1,175 [554]
	ROLA-070E04 (RCFL-A*3821)	37,400 [11.0]	27,100 [7.9]	10,300 [3.0]	13.00	15.50	77	1,175 [554]
	ROLA-115E05 (RCFL-A*3821)	37,800 [11.1]	27,700 [8.1]	10,100 [3.0]	13.00	16.00	77	1,200 [566]
	RCFL-A*3824 (RGLT-07?BRQ?)	37,800 [11.1]	27,850 [8.2]	9,950 [2.9]	13.00	16.00	77	1,250 [590]
	RCFL-A*3824 (RGLT-10?BRM?)	38,000 [11.1]	28,050 [8.2]	9,950 [2.9]	13.00	16.00	77	1,250 [590]
	RCFL-A*3824 (RGLT-12?ARM?)	37,600 [11.0]	27,100 [7.9]	10,500 [3.1]	13.00	16.00	77	1,150 [543]
	RCFL-A*3824 (RGPT-07?BRQ?)	37,000 [10.8]	26,000 [7.6]	11,000 [3.2]	13.00	16.00	77	1,050 [495]
	RCFL-A*3824 (RGPT-10?BRM?)	37,800 [11.1]	27,700 [8.1]	10,100 [3.0]	13.00	16.00	77	1,225 [578]
	RCFL-A*3824 (RGPT-12?ARM?)	37,600 [11.0]	27,250 [8.0]	10,350 [3.0]	13.00	16.00	77	1,175 [554]
	ROCA-070E03 (RCFL-A*3824)	37,400 [11.0]	27,350 [8.0]	10,050 [2.9]	13.00	15.50	77	1,200 [566]
	ROCA-070E04 (RCFL-A*3824)	37,400 [11.0]	27,350 [8.0]	10,050 [2.9]	13.00	15.50	77	1,200 [566]
	ROLA-070E03 (RCFL-A*3824)	37,400 [11.0]	27,100 [7.9]	10,300 [3.0]	13.00	15.50	77	1,175 [554]
	ROLA-070E04 (RCFL-A*3824)	37,400 [11.0]	27,100 [7.9]	10,300 [3.0]	13.00	15.50	77	1,175 [554]
	ROLA-115E05 (RCFL-A*3824)	37,800 [11.1]	27,700 [8.1]	10,100 [3.0]	13.00	16.00	77	1,200 [566]
	RCFL-H*3617 (RGFD-06?MCK?)	34,800 [10.2]	23,800 [7.0]	11,000 [3.2]	12.00	14.50	77	1,000 [472]
	RCFL-H*3617 (RGFD-07?MCK?)	35,000 [10.3]	23,950 [7.0]	11,050 [3.2]	12.50	15.00	77	1,000 [472]
	RCFL-H*3617 (RGFE-06?MCK?)	35,000 [10.3]	23,950 [7.0]	11,050 [3.2]	12.50	15.00	77	1,000 [472]
	RCFL-H*3617 (RGFE-07?MCK?)	35,000 [10.3]	24,050 [7.0]	10,950 [3.2]	12.50	14.50	77	1,025 [484]
	RCFL-H*3617 (RGGD-06?MCK?)	35,000 [10.3]	23,950 [7.0]	11,050 [3.2]	12.50	15.00	77	1,000 [472]
	RCFL-H*3617 (RGGD-07?MCK?)	35,000 [10.3]	24,050 [7.0]	10,950 [3.2]	12.50	15.00	77	1,025 [484]
	RCFL-H*3617 (RGGE-06?MCK?)	35,200 [10.3]	24,200 [7.1]	11,000 [3.2]	12.50	15.10	77	1,025 [484]
	RCFL-H*3617 (RGGE-07?MCK?)	35,200 [10.3]	24,200 [7.1]	11,000 [3.2]	12.50	15.10	77	1,025 [484]
	RCFL-H*3617 (RGJD-06?MCK?)	35,000 [10.3]	23,950 [7.0]	11,050 [3.2]	12.50	15.00	77	1,000 [472]
	RCFL-H*3617 (RGJD-07?MCK?)	35,000 [10.3]	24,050 [7.0]	10,950 [3.2]	12.50	15.00	77	1,025 [484]
	RCFL-H*3617 (RGJF-06?MCK?)	35,200 [10.3]	24,200 [7.1]	11,000 [3.2]	12.50	15.10	77	1,025 [484]
	RCFL-H*3617 (RGJF-07?MCK?)	35,200 [10.3]	24,200 [7.1]	11,000 [3.2]	12.50	15.10	77	1,025 [484]
	RCFL-H*3617 (RGLT-07?MCK?)	35,200 [10.3]	24,200 [7.1]	11,000 [3.2]	13.00	15.10	77	1,025 [484]
	RCFL-H*3617 (RGLR-07?MCK?)	35,200 [10.3]	24,200 [7.1]	11,000 [3.2]	12.50	15.10	77	1,025 [484]
	RCFL-H*3617 (RGLT-07?AME?)	35,600 [10.4]	24,800 [7.3]	10,800 [3.2]	12.50	15.10	77	1,050 [495]
	RCFL-H*3617 (RGPE-07?MCK?)	35,000 [10.3]	23,900 [7.0]	11,100 [3.3]	12.50	15.10	77	1,000 [472]
	RCFL-H*3617 (RGPR-05?BMK?)	34,800 [10.2]	23,750 [7.0]	11,050 [3.2]	12.00	14.50	77	1,000 [472]
	RCFL-H*3617 (RGPR-07?MCK?)	35,000 [10.3]	23,900 [7.0]	11,100 [3.3]	12.50	15.10	77	1,000 [472]
	RCFL-H*3617 (RGPT-05?BMK?)	35,400 [10.4]	24,650 [7.2]	10,750 [3.1]	12.50	15.00	77	1,050 [495]
	RCFL-H*3617 (RGPT-07?AME?)	35,400 [10.4]	24,600 [7.2]	10,800 [3.2]	12.50	15.10	77	1,050 [495]
	RCFL-H*3617 (RGRM-04?MAE?)	35,000 [10.3]	24,050 [7.0]	10,950 [3.2]	12.00	14.50	77	1,025 [484]
	RCFL-H*3617 (RGRM-06?MAE?)	35,000 [10.3]	23,950 [7.0]	11,050 [3.2]	12.00	14.50	77	1,000 [472]
	RCFL-H*3617 (RGTM-06?MAE?)	35,400 [10.4]	24,650 [7.2]	10,750 [3.1]	12.50	15.10	77	1,075 [507]
	ROCA-070E03 (RCFL-H*3617)	35,200 [10.3]	24,100 [7.1]	11,100 [3.3]	12.50	15.10	77	1,000 [472]
	ROCA-070E04 (RCFL-H*3617)	35,200 [10.3]	24,100 [7.1]	11,100 [3.3]	12.50	15.10	77	1,000 [472]

① Highest sales volume tested combination required by D.O.E. test procedures.

[] Designates Metric Conversions

Performance Data @ AHRI Standard Conditions—Cooling (con't.)

Model Numbers		80°F [26.5°C] DB/67°F [19.5°C] WB Indoor Air 95°F [35°C] DB Outdoor Air					Sound Rating dB	Indoor CFM [L/s]
Outdoor Unit 14AJM	Indoor Coil and/or Air Handler	Total Capacity BTU/H [kW]	Net Sensible BTU/H [kW]	Net Latent BTU/H [kW]	EER	SEER		
Rev. 7/1/10	ROLA-070E03 (RCFL-H*3617)	35,800 [10.5]	25,500 [7.5]	10,300 [3.0]	12.50	15.10	77	1,175 [554]
	ROLA-070E04 (RCFL-H*3617)	35,800 [10.5]	25,500 [7.5]	10,300 [3.0]	12.50	15.10	77	1,175 [554]
	RCFL-H*3621 (RGFD-06?MCK?)	34,800 [10.2]	23,800 [7.0]	11,000 [3.2]	12.00	14.50	77	1,000 [472]
	RCFL-H*3621 (RGFD-07?MCK?)	35,000 [10.3]	23,950 [7.0]	11,050 [3.2]	12.50	15.00	77	1,000 [472]
	RCFL-H*3621 (RGFD-09?ZCM?)	35,800 [10.5]	25,350 [7.4]	10,450 [3.1]	12.50	15.10	77	1,150 [543]
	RCFL-H*3621 (RGFD-10?ZCM?)	35,800 [10.5]	25,500 [7.5]	10,300 [3.0]	12.00	14.50	77	1,175 [554]
	RCFL-H*3621 (RGFE-06?MCK?)	35,000 [10.3]	23,900 [7.0]	11,100 [3.3]	12.50	15.00	77	1,000 [472]
	RCFL-H*3621 (RGFE-07?MCK?)	35,000 [10.3]	24,050 [7.0]	10,950 [3.2]	12.50	15.00	77	1,025 [484]
	RCFL-H*3621 (RGFE-09?ZCM?)	36,000 [10.5]	25,800 [7.6]	10,200 [3.0]	12.50	14.50	77	1,200 [566]
	RCFL-H*3621 (RGFE-10?ZCM?)	35,200 [10.3]	24,050 [7.0]	11,150 [3.3]	13.00	15.50	77	1,000 [472]
	RCFL-H*3621 (RGGD-06?MCK?)	35,000 [10.3]	23,950 [7.0]	11,050 [3.2]	12.50	15.10	77	1,000 [472]
	RCFL-H*3621 (RGGD-07?MCK?)	35,000 [10.3]	24,050 [7.0]	10,950 [3.2]	12.50	15.00	77	1,025 [484]
	RCFL-H*3621 (RGGE-06?MCK?)	35,200 [10.3]	24,200 [7.1]	11,000 [3.2]	12.50	15.10	77	1,025 [484]
	RCFL-H*3621 (RGGE-07?MCK?)	35,200 [10.3]	24,200 [7.1]	11,000 [3.2]	12.50	15.10	77	1,025 [484]
	RCFL-H*3621 (RGGE-09?ZCM?)	35,200 [10.3]	24,150 [7.1]	11,050 [3.2]	13.00	15.50	77	1,025 [484]
	RCFL-H*3621 (RGGE-10?ZCM?)	35,600 [10.4]	24,800 [7.3]	10,800 [3.2]	13.00	15.50	77	1,050 [495]
	RCFL-H*3621 (RGJD-06?MCK?)	35,000 [10.3]	23,950 [7.0]	11,050 [3.2]	12.50	15.10	77	1,000 [472]
	RCFL-H*3621 (RGJD-07?MCK?)	35,000 [10.3]	24,050 [7.0]	10,950 [3.2]	12.50	15.00	77	1,025 [484]
	RCFL-H*3621 (RGJF-06?MCK?)	35,200 [10.3]	24,200 [7.1]	11,000 [3.2]	12.50	15.10	77	1,025 [484]
	RCFL-H*3621 (RGJF-07?MCK?)	35,200 [10.3]	24,200 [7.1]	11,000 [3.2]	12.50	15.10	77	1,025 [484]
	RCFL-H*3621 (RGJF-09?ZCM?)	35,200 [10.3]	24,150 [7.1]	11,050 [3.2]	13.00	15.50	77	1,025 [484]
	RCFL-H*3621 (RGJF-10?ZCM?)	35,600 [10.4]	24,800 [7.3]	10,800 [3.2]	13.00	15.50	77	1,050 [495]
	RCFL-H*3621 (RGLE-07?AMK?)	35,200 [10.3]	24,150 [7.1]	11,050 [3.2]	13.00	15.50	77	1,025 [484]
	RCFL-H*3621 (RGLE-07?BRQ?)	35,400 [10.4]	24,350 [7.1]	11,050 [3.2]	13.00	15.50	77	1,025 [484]
	RCFL-H*3621 (RGLE-10?BRM?)	35,800 [10.5]	24,900 [7.3]	10,900 [3.2]	13.00	16.00	77	1,050 [495]
	RCFL-H*3621 (RGLR-07?AMK?)	35,200 [10.3]	24,200 [7.1]	11,000 [3.2]	12.50	15.10	77	1,025 [484]
	RCFL-H*3621 (RGLT-07?AME?)	35,600 [10.4]	24,800 [7.3]	10,800 [3.2]	13.00	15.50	77	1,075 [507]
	RCFL-H*3621 (RGLT-07?BRQ?)	36,200 [10.6]	25,950 [7.6]	10,250 [3.0]	12.50	15.10	77	1,200 [566]
	RCFL-H*3621 (RGLT-10?BRM?)	36,000 [10.5]	25,650 [7.5]	10,350 [3.0]	13.00	15.50	77	1,175 [554]
	RCFL-H*3621 (RGPE-05?BMK?)	35,800 [10.5]	25,650 [7.5]	10,150 [3.0]	12.00	14.50	77	1,200 [566]
	RCFL-H*3621 (RGPE-07?BRQ?)	35,600 [10.4]	24,750 [7.3]	10,850 [3.2]	13.00	15.50	77	1,050 [495]
	RCFL-H*3621 (RGPE-10?BRM?)	35,600 [10.4]	24,750 [7.3]	10,850 [3.2]	13.00	15.50	77	1,075 [507]
	RCFL-H*3621 (RGPR-05?BMK?)	34,800 [10.2]	23,750 [7.0]	11,050 [3.2]	12.00	14.50	77	1,000 [472]
	RCFL-H*3621 (RGPR-07?AMK?)	35,000 [10.3]	23,900 [7.0]	11,100 [3.3]	12.50	15.10	77	1,000 [472]
	RCFL-H*3621 (RGPT-05?BMK?)	35,400 [10.4]	24,650 [7.2]	10,750 [3.1]	12.50	15.10	77	1,075 [507]
	RCFL-H*3621 (RGPT-07?AME?)	35,400 [10.4]	24,600 [7.2]	10,800 [3.2]	12.50	15.10	77	1,050 [495]
RCFL-H*3621 (RGPT-07?BRQ?)	35,800 [10.5]	24,900 [7.3]	10,900 [3.2]	13.00	16.00	77	1,050 [495]	
RCFL-H*3621 (RGPT-10?BRM?)	36,200 [10.6]	25,800 [7.6]	10,400 [3.0]	13.00	15.50	77	1,175 [554]	
RCFL-H*3621 (RGRM-04?MAE?)	35,000 [10.3]	24,050 [7.0]	10,950 [3.2]	12.00	14.50	77	1,025 [484]	
RCFL-H*3621 (RGRM-06?MAE?)	35,000 [10.3]	23,950 [7.0]	11,050 [3.2]	12.00	14.50	77	1,000 [472]	
RCFL-H*3621 (RGRM-07?YBG?)	34,600 [10.1]	23,500 [6.9]	11,100 [3.3]	12.00	14.50	77	975 [460]	
RCFL-H*3621 (RGRM-09?ZAJ?)	35,400 [10.4]	24,650 [7.2]	10,750 [3.1]	12.50	15.10	77	1,075 [507]	
RCFL-H*3621 (RGRM-10?ZAJ?)	35,200 [10.3]	24,200 [7.1]	11,000 [3.2]	12.50	15.10	77	1,025 [484]	
RCFL-H*3621 (RGTM-06?MAE?)	35,400 [10.4]	24,650 [7.2]	10,750 [3.1]	12.50	15.10	77	1,075 [507]	
RCFL-H*3621 (RGTM-07?RBG?)	35,600 [10.4]	24,750 [7.3]	10,850 [3.2]	13.00	15.50	77	1,050 [495]	
RCFL-H*3621 (RGTM-09?ZAJ?)	35,600 [10.4]	24,800 [7.3]	10,800 [3.2]	12.50	15.10	77	1,100 [519]	
ROCA-070E03 (RCFL-H*3621)	35,200 [10.3]	24,050 [7.0]	11,150 [3.3]	12.50	15.10	77	1,000 [472]	
ROCA-070E04 (RCFL-H*3621)	35,200 [10.3]	24,050 [7.0]	11,150 [3.3]	12.50	15.10	77	1,000 [472]	
ROLA-070E03 (RCFL-H*3621)	36,000 [10.5]	25,650 [7.5]	10,350 [3.0]	12.50	15.10	77	1,175 [554]	
ROLA-070E04 (RCFL-H*3621)	35,400 [10.4]	24,350 [7.1]	11,050 [3.2]	13.00	15.50	77	1,025 [484]	
ROLA-115E05 (RCFL-H*3621)	35,600 [10.4]	24,750 [7.3]	10,850 [3.2]	13.00	15.50	77	1,050 [495]	
RCFL-H*3621+RXMD-C04	35,000 [10.3]	24,350 [7.1]	10,650 [3.1]	12.00	14.50	77	1,075 [507]	
RCFL-H*3821	36,800 [10.8]	26,950 [7.9]	9,850 [2.9]	12.00	15.00	77	1,220 [576]	

① Highest sales volume tested combination required by D.O.E. test procedures.

[] Designates Metric Conversions

Performance Data @ AHRI Standard Conditions—Cooling (con't.)

Model Numbers		80°F [26.5°C] DB/67°F [19.5°C] WB Indoor Air 95°F [35°C] DB Outdoor Air					Sound Rating dB	Indoor CFM [L/s]
Outdoor Unit 14AJM	Indoor Coil and/or Air Handler	Total Capacity BTU/H [kW]	Net Sensible BTU/H [kW]	Net Latent BTU/H [kW]	EER	SEER		
Rev. 7/1/10	RCFL-H*3821 (RGFD-09?ZCM?)	37,200 [10.9]	26,800 [7.9]	10,400 [3.0]	13.00	16.00	77	1,150 [543]
	RCFL-H*3821 (RGFD-10?ZCM?)	37,400 [11.0]	27,150 [8.0]	10,250 [3.0]	13.00	15.50	77	1,175 [554]
	RCFL-H*3821 (RGFE-06?MCK?)	37,200 [10.9]	27,250 [8.0]	9,950 [2.9]	12.50	15.00	77	1,200 [566]
	RCFL-H*3821 (RGFE-09?ZCM?)	37,600 [11.0]	27,550 [8.1]	10,050 [2.9]	13.00	15.50	77	1,200 [566]
	RCFL-H*3821 (RGFE-10?ZCM?)	37,400 [11.0]	27,350 [8.0]	10,050 [2.9]	13.00	15.50	77	1,225 [578]
	RCFL-H*3821 (RGLT-07?AME?)	37,200 [10.9]	26,550 [7.8]	10,650 [3.1]	13.00	16.00	77	1,100 [519]
	RCFL-H*3821 (RGLT-07?BRQ?)	37,800 [11.1]	27,850 [8.2]	9,950 [2.9]	13.00	16.00	77	1,250 [590]
	RCFL-H*3821 (RGLT-10?BRM?)	38,000 [11.1]	28,050 [8.2]	9,950 [2.9]	13.00	16.00	77	1,250 [590]
	RCFL-H*3821 (RGPE-05?BMK?)	37,400 [11.0]	27,400 [8.0]	10,000 [2.9]	12.50	15.50	77	1,200 [566]
	RCFL-H*3821 (RGPE-07?AMK?)	37,400 [11.0]	27,350 [8.0]	10,050 [2.9]	13.00	15.50	77	1,225 [578]
	RCFL-H*3821 (RGPE-07?BRQ?)	37,800 [11.1]	27,700 [8.1]	10,100 [3.0]	13.00	16.00	77	1,225 [578]
	RCFL-H*3821 (RGPE-10?BRM?)	37,800 [11.1]	27,700 [8.1]	10,100 [3.0]	13.00	16.00	77	1,225 [578]
	RCFL-H*3821 (RGPR-07?AMK?)	37,400 [11.0]	27,350 [8.0]	10,050 [2.9]	13.00	15.50	77	1,200 [566]
	RCFL-H*3821 (RGPR-07?BRQ?)	37,800 [11.1]	27,650 [8.1]	10,150 [3.0]	13.00	16.50	77	1,200 [566]
	RCFL-H*3821 (RGPR-10?BRM?)	37,600 [11.0]	27,500 [8.1]	10,100 [3.0]	13.50	16.00	77	1,200 [566]
	RCFL-H*3821 (RGPT-05?BMK?)	37,000 [10.8]	26,400 [7.7]	10,600 [3.1]	13.00	15.50	77	1,100 [519]
	RCFL-H*3821 (RGPT-07?AME?)	37,000 [10.8]	26,350 [7.7]	10,650 [3.1]	13.00	15.50	77	1,100 [519]
	RCFL-H*3821 (RGPT-07?BRQ?)	37,000 [10.8]	26,000 [7.6]	11,000 [3.2]	13.00	16.00	77	1,050 [495]
	RCFL-H*3821 (RGPT-10?BRM?)	37,800 [11.1]	27,650 [8.1]	10,150 [3.0]	13.00	16.00	77	1,225 [578]
	RCFL-H*3821 (RGRM-07?YBG?)	36,600 [10.7]	25,800 [7.6]	10,800 [3.2]	12.50	15.10	77	1,050 [495]
	RCFL-H*3821 (RGRM-09?ZAJ?)	36,800 [10.8]	26,050 [7.6]	10,750 [3.1]	13.00	16.00	77	1,075 [507]
	RCFL-H*3821 (RGRM-10?ZAJ?)	37,200 [10.9]	26,850 [7.9]	10,350 [3.0]	13.00	15.50	77	1,150 [543]
	ROCA-070E03 (RCFL-H*3821)	37,600 [11.0]	27,550 [8.1]	10,050 [2.9]	13.00	15.50	77	1,200 [566]
	ROCA-070E04 (RCFL-H*3821)	37,600 [11.0]	27,550 [8.1]	10,050 [2.9]	13.00	15.50	77	1,200 [566]
	ROLA-070E03 (RCFL-H*3821)	37,400 [11.0]	27,100 [7.9]	10,300 [3.0]	13.00	15.50	77	1,175 [554]
	ROLA-070E04 (RCFL-H*3821)	37,400 [11.0]	27,100 [7.9]	10,300 [3.0]	13.00	15.50	77	1,175 [554]
	ROLA-115E05 (RCFL-H*3821)	37,800 [11.1]	27,700 [8.1]	10,100 [3.0]	13.00	16.00	77	1,200 [566]
	RCFL-H*3824	36,800 [10.8]	26,950 [7.9]	9,850 [2.9]	12.00	15.00	77	1,220 [576]
	RCFL-H*3824 (RGFD-09?ZCM?)	37,200 [10.9]	26,800 [7.9]	10,400 [3.0]	13.00	16.00	77	1,150 [543]
	RCFL-H*3824 (RGFD-10?ZCM?)	37,400 [11.0]	27,150 [8.0]	10,250 [3.0]	13.00	15.50	77	1,175 [554]
	RCFL-H*3824 (RGFD-12?RCM?)	37,600 [11.0]	27,500 [8.1]	10,100 [3.0]	13.00	16.00	77	1,225 [578]
	RCFL-H*3824 (RGFE-09?ZCM?)	37,600 [11.0]	27,550 [8.1]	10,050 [2.9]	13.00	15.50	77	1,200 [566]
	RCFL-H*3824 (RGFE-10?ZCM?)	37,400 [11.0]	27,350 [8.0]	10,050 [2.9]	13.00	15.50	77	1,225 [578]
	RCFL-H*3824 (RGFE-12?RCM?)	37,600 [11.0]	27,500 [8.1]	10,100 [3.0]	13.00	16.00	77	1,225 [578]
	RCFL-H*3824 (RGGD-09?ZCM?)	37,400 [11.0]	27,100 [7.9]	10,300 [3.0]	13.00	16.00	77	1,175 [554]
	RCFL-H*3824 (RGGD-10?ZCM?)	37,400 [11.0]	27,100 [7.9]	10,300 [3.0]	13.00	16.00	77	1,175 [554]
RCFL-H*3824 (RGGD-12?RCM?)	37,800 [11.1]	27,700 [8.1]	10,100 [3.0]	13.00	16.00	77	1,225 [578]	
RCFL-H*3824 (RGGE-09?ZCM?)	37,600 [11.0]	27,500 [8.1]	10,100 [3.0]	13.00	16.00	77	1,225 [578]	
RCFL-H*3824 (RGGE-10?ZCM?)	37,600 [11.0]	27,550 [8.1]	10,050 [2.9]	13.00	15.50	77	1,200 [566]	
RCFL-H*3824 (RGGE-12?RCM?)	37,800 [11.1]	27,700 [8.1]	10,100 [3.0]	13.00	16.00	77	1,200 [566]	
RCFL-H*3824 (RGJD-09?ZCM?)	37,400 [11.0]	27,100 [7.9]	10,300 [3.0]	13.00	16.00	77	1,175 [554]	
RCFL-H*3824 (RGJD-10?ZCM?)	37,400 [11.0]	27,100 [7.9]	10,300 [3.0]	13.00	16.00	77	1,175 [554]	
RCFL-H*3824 (RGJD-12?RCM?)	37,800 [11.1]	27,700 [8.1]	10,100 [3.0]	13.00	16.00	77	1,225 [578]	
RCFL-H*3824 (RGJF-09?ZCM?)	37,600 [11.0]	27,500 [8.1]	10,100 [3.0]	13.00	16.00	77	1,225 [578]	
RCFL-H*3824 (RGJF-10?ZCM?)	37,600 [11.0]	27,550 [8.1]	10,050 [2.9]	13.00	15.50	77	1,200 [566]	
RCFL-H*3824 (RGJF-12?RCM?)	37,800 [11.1]	27,650 [8.1]	10,150 [3.0]	13.00	16.00	77	1,200 [566]	
RCFL-H*3824 (RGLD-07?BRQ?)	37,800 [11.1]	27,700 [8.1]	10,100 [3.0]	13.00	16.00	77	1,225 [578]	
RCFL-H*3824 (RGLD-10?BRM?)	37,800 [11.1]	27,650 [8.1]	10,150 [3.0]	13.00	16.00	77	1,200 [566]	
RCFL-H*3824 (RGLD-12?ARM?)	37,800 [11.1]	27,650 [8.1]	10,150 [3.0]	13.00	16.00	77	1,225 [578]	
RCFL-H*3824 (RGLR-07?BRQ?)	37,000 [10.8]	26,050 [7.6]	10,950 [3.2]	13.00	16.00	77	1,050 [495]	
RCFL-H*3824 (RGLR-10?BRM?)	37,800 [11.1]	27,700 [8.1]	10,100 [3.0]	13.00	16.00	77	1,200 [566]	
RCFL-H*3824 (RGLR-12?ARM?)	37,800 [11.1]	27,650 [8.1]	10,150 [3.0]	13.00	16.00	77	1,200 [566]	
RCFL-H*3824 (RGLT-07?BRQ?)	37,800 [11.1]	27,850 [8.2]	9,950 [2.9]	13.00	16.00	77	1,250 [590]	

① Highest sales volume tested combination required by D.O.E. test procedures.

[] Designates Metric Conversions

Performance Data @ AHRI Standard Conditions—Cooling (con't.)

Model Numbers		80°F [26.5°C] DB/67°F [19.5°C] WB Indoor Air 95°F [35°C] DB Outdoor Air					Sound Rating dB	Indoor CFM [L/s]
Outdoor Unit 14AJM	Indoor Coil and/or Air Handler	Total Capacity BTU/H [kW]	Net Sensible BTU/H [kW]	Net Latent BTU/H [kW]	EER	SEER		
Rev. 7/1/10	RCFL-H*3824 (RGLT-10?BRM?)	38,000 [11.1]	28,050 [8.2]	9,950 [2.9]	13.00	16.00	77	1,250 [590]
	RCFL-H*3824 (RGLT-12?ARM?)	37,600 [11.0]	27,100 [7.9]	10,500 [3.1]	13.00	16.00	77	1,150 [543]
	RCFL-H*3824 (RGPE-07?BRQ?)	37,800 [11.1]	27,700 [8.1]	10,100 [3.0]	13.00	16.00	77	1,225 [578]
	RCFL-H*3824 (RGPE-10?BRM?)	37,800 [11.1]	27,700 [8.1]	10,100 [3.0]	13.00	16.00	77	1,225 [578]
	RCFL-H*3824 (RGPE-12?ARM?)	37,800 [11.1]	27,650 [8.1]	10,150 [3.0]	13.00	16.00	77	1,200 [566]
	RCFL-H*3824 (RGPR-07?BRQ?)	37,800 [11.1]	27,700 [8.1]	10,100 [3.0]	13.00	16.00	77	1,200 [566]
	RCFL-H*3824 (RGPR-10?BRM?)	37,600 [11.0]	27,500 [8.1]	10,100 [3.0]	13.00	16.00	77	1,200 [566]
	RCFL-H*3824 (RGPR-12?ARM?)	37,200 [10.9]	26,500 [7.8]	10,700 [3.1]	13.00	16.00	77	1,100 [519]
	RCFL-H*3824 (RGPT-07?BRQ?)	37,000 [10.8]	26,000 [7.6]	11,000 [3.2]	13.00	16.00	77	1,050 [495]
	RCFL-H*3824 (RGPT-10?BRM?)	37,800 [11.1]	27,700 [8.1]	10,100 [3.0]	13.00	16.00	77	1,225 [578]
	RCFL-H*3824 (RGPT-12?ARM?)	37,600 [11.0]	27,250 [8.0]	10,350 [3.0]	13.00	16.00	77	1,175 [554]
	RCFL-H*3824 (RGRM-07?YBG?)	36,400 [10.7]	25,600 [7.5]	10,800 [3.2]	12.50	15.00	77	1,050 [495]
	RCFL-H*3824 (RGRM-09?ZAJ?)	36,800 [10.8]	26,050 [7.6]	10,750 [3.1]	13.00	16.00	77	1,075 [507]
	RCFL-H*3824 (RGRM-10?ZAJ?)	37,200 [10.9]	26,850 [7.9]	10,350 [3.0]	13.00	15.50	77	1,150 [543]
	RCFL-H*3824 (RGRM-12?RAJ?)	37,000 [10.8]	26,200 [7.7]	10,800 [3.2]	13.00	16.00	77	1,075 [507]
	RCFL-H*3824 (RGTM-07?RBG?)	37,000 [10.8]	26,050 [7.6]	10,950 [3.2]	13.00	16.00	77	1,050 [495]
	RCFL-H*3824 (RGTM-09?ZAJ?)	37,200 [10.9]	26,500 [7.8]	10,700 [3.1]	13.00	16.00	77	1,100 [519]
	RCFL-H*3824 (RGTM-10?RBG?)	37,400 [11.0]	26,800 [7.9]	10,600 [3.1]	13.00	16.00	77	1,125 [531]
	ROCA-070E03 (RCFL-H*3824)	37,400 [11.0]	27,350 [8.0]	10,050 [2.9]	13.00	15.50	77	1,200 [566]
	ROCA-070E04 (RCFL-H*3824)	37,400 [11.0]	27,350 [8.0]	10,050 [2.9]	13.00	15.50	77	1,200 [566]
	ROLA-070E03 (RCFL-H*3824)	37,400 [11.0]	27,100 [7.9]	10,300 [3.0]	13.00	15.50	77	1,175 [554]
	ROLA-070E04 (RCFL-H*3824)	37,400 [11.0]	27,100 [7.9]	10,300 [3.0]	13.00	15.50	77	1,175 [554]
	ROLA-115E05 (RCFL-H*3824)	37,800 [11.1]	27,700 [8.1]	10,100 [3.0]	13.00	16.00	77	1,200 [566]
	RCFN-H*3624	38,500 [11.3]	29,150 [8.5]	9,350 [2.7]	12.50	15.00	77	1,200 [566]
	RCFN-H*3624 (RGFD-09?ZCM?)	39,000 [11.4]	29,200 [8.6]	9,800 [2.9]	13.00	16.00	77	1,150 [543]
	RCFN-H*3624 (RGFD-10?ZCM?)	39,500 [11.6]	29,950 [8.8]	9,550 [2.8]	13.00	16.00	77	1,175 [554]
	RCFN-H*3624 (RGFD-12?RCM?)	39,500 [11.6]	29,950 [8.8]	9,550 [2.8]	13.00	16.00	77	1,225 [578]
	RCFN-H*3624 (RGFE-09?ZCM?)	39,500 [11.6]	29,950 [8.8]	9,550 [2.8]	13.00	16.00	77	1,200 [566]
	RCFN-H*3624 (RGFE-10?ZCM?)	39,500 [11.6]	30,000 [8.8]	9,500 [2.8]	13.00	16.00	77	1,225 [578]
	RCFN-H*3624 (RGFE-12?RCM?)	39,500 [11.6]	29,950 [8.8]	9,550 [2.8]	13.00	16.00	77	1,225 [578]
	RCFN-H*3624 (RGGD-09?ZCM?)	39,500 [11.6]	29,950 [8.8]	9,550 [2.8]	13.00	16.00	77	1,175 [554]
	RCFN-H*3624 (RGGD-10?ZCM?)	39,500 [11.6]	29,950 [8.8]	9,550 [2.8]	13.00	16.00	77	1,175 [554]
	RCFN-H*3624 (RGGD-12?RCM?)	39,500 [11.6]	29,900 [8.8]	9,600 [2.8]	13.00	16.00	77	1,225 [578]
	RCFN-H*3624 (RGGE-09?ZCM?)	39,500 [11.6]	29,950 [8.8]	9,550 [2.8]	13.00	16.00	77	1,225 [578]
	RCFN-H*3624 (RGGE-10?ZCM?)	39,500 [11.6]	29,950 [8.8]	9,550 [2.8]	13.00	16.00	77	1,200 [566]
	RCFN-H*3624 (RGGE-12?RCM?)	39,500 [11.6]	29,900 [8.8]	9,600 [2.8]	13.00	17.00	77	1,200 [566]
RCFN-H*3624 (RGJD-09?ZCM?)	39,500 [11.6]	29,950 [8.8]	9,550 [2.8]	13.00	16.00	77	1,175 [554]	
RCFN-H*3624 (RGJD-10?ZCM?)	39,500 [11.6]	29,950 [8.8]	9,550 [2.8]	13.00	16.00	77	1,175 [554]	
RCFN-H*3624 (RGJD-12?RCM?)	39,500 [11.6]	29,900 [8.8]	9,600 [2.8]	13.00	16.00	77	1,225 [578]	
RCFN-H*3624 (RGJF-10?ZCM?)	39,500 [11.6]	29,950 [8.8]	9,550 [2.8]	13.00	16.00	77	1,200 [566]	
RCFN-H*3624 (RGJF-12?RCM?)	39,500 [11.6]	29,900 [8.8]	9,600 [2.8]	13.00	16.00	77	1,200 [566]	
RCFN-H*3624 (RGLT-07?BRQ?)	39,500 [11.6]	29,900 [8.8]	9,600 [2.8]	13.00	16.00	77	1,225 [578]	
RCFN-H*3624 (RGLT-10?BRM?)	39,500 [11.6]	29,900 [8.8]	9,600 [2.8]	13.00	16.00	77	1,200 [566]	
RCFN-H*3624 (RGLT-12?ARM?)	39,500 [11.6]	29,900 [8.8]	9,600 [2.8]	13.00	16.00	77	1,225 [578]	
RCFN-H*3624 (RGLR-07?BRQ?)	39,500 [11.6]	29,900 [8.8]	9,600 [2.8]	13.00	16.00	77	1,225 [578]	
RCFN-H*3624 (RGLR-10?BRM?)	39,500 [11.6]	29,900 [8.8]	9,600 [2.8]	13.00	16.00	77	1,200 [566]	
RCFN-H*3624 (RGLR-12?ARM?)	39,500 [11.6]	29,900 [8.8]	9,600 [2.8]	13.00	16.00	77	1,200 [566]	
RCFN-H*3624 (RGLT-07?BRQ?)	40,000 [11.7]	30,850 [9.0]	9,150 [2.7]	13.00	16.00	77	1,275 [602]	
RCFN-H*3624 (RGLT-10?BRM?)	40,000 [11.7]	30,800 [9.0]	9,200 [2.7]	13.00	16.00	77	1,275 [602]	
RCFN-H*3624 (RGLT-12?ARM?)	39,500 [11.6]	29,850 [8.7]	9,650 [2.8]	13.00	16.00	77	1,200 [566]	
RCFN-H*3624 (RGPE-07?BRQ?)	39,500 [11.6]	29,900 [8.8]	9,600 [2.8]	13.00	16.00	77	1,225 [578]	
RCFN-H*3624 (RGPE-10?BRM?)	39,500 [11.6]	29,900 [8.8]	9,600 [2.8]	13.00	16.00	77	1,225 [578]	
RCFN-H*3624 (RGPE-12?ARM?)	39,500 [11.6]	29,900 [8.8]	9,600 [2.8]	13.00	16.00	77	1,200 [566]	

① Highest sales volume tested combination required by D.O.E. test procedures.

[] Designates Metric Conversions

Performance Data @ AHRI Standard Conditions—Cooling (con't.)

Model Numbers		80°F [26.5°C] DB/67°F [19.5°C] WB Indoor Air 95°F [35°C] DB Outdoor Air					Sound Rating dB	Indoor CFM [L/s]
Outdoor Unit 14AJM	Indoor Coil and/or Air Handler	Total Capacity BTU/H [kW]	Net Sensible BTU/H [kW]	Net Latent BTU/H [kW]	EER	SEER		
Rev. 7/1/10	RCFN-H*3624 (RGPR-07?BRQ?)	39,500 [11.6]	29,900 [8.8]	9,600 [2.8]	13.00	16.00	77	1,200 [566]
	RCFN-H*3624 (RGPR-10?BRM?)	39,500 [11.6]	29,950 [8.8]	9,550 [2.8]	13.00	16.00	77	1,200 [566]
	RCFN-H*3624 (RGPR-12?ARM?)	40,000 [11.7]	30,700 [9.0]	9,300 [2.7]	13.00	16.00	77	1,250 [590]
	RCFN-H*3624 (RGPT-07?BRQ?)	40,000 [11.7]	31,100 [9.1]	8,900 [2.6]	13.00	16.00	77	1,325 [625]
	RCFN-H*3624 (RGPT-10?BRM?)	40,000 [11.7]	30,700 [9.0]	9,300 [2.7]	13.00	16.00	77	1,250 [590]
	RCFN-H*3624 (RGPT-12?ARM?)	39,500 [11.6]	29,900 [8.8]	9,600 [2.8]	13.00	16.00	77	1,200 [566]
	RCFN-H*3624 (RGRM-09?ZAJ?)	39,000 [11.4]	29,500 [8.6]	9,500 [2.8]	13.00	16.00	77	1,225 [578]
	RCFN-H*3624 (RGRM-10?ZAJ?)	39,000 [11.4]	29,200 [8.6]	9,800 [2.9]	13.00	16.00	77	1,150 [543]
	RCFN-H*3624 (RGRM-12?RAJ?)	39,500 [11.6]	29,950 [8.8]	9,550 [2.8]	13.00	16.00	77	1,225 [578]
	ROCA-070E03 (RCFN-H*3624)	39,500 [11.6]	29,950 [8.8]	9,550 [2.8]	13.00	16.00	77	1,200 [566]
	ROCA-070E04 (RCFN-H*3624)	39,500 [11.6]	29,950 [8.8]	9,550 [2.8]	13.00	16.00	77	1,200 [566]
	ROLA-070E03 (RCFN-H*3624)	39,500 [11.6]	29,950 [8.8]	9,550 [2.8]	13.00	16.00	77	1,175 [554]
	ROLA-070E04 (RCFN-H*3624)	39,500 [11.6]	29,950 [8.8]	9,550 [2.8]	13.00	16.00	77	1,175 [554]
	ROLA-115E05 (RCFN-H*3624)	39,500 [11.6]	29,900 [8.8]	9,600 [2.8]	13.00	16.00	77	1,200 [566]
	RBHP-21 (RCHL-36A1)	35,800 [10.5]	24,850 [7.3]	10,950 [3.2]	13.00	15.00	77	1,200 [566]
	RCQD-3621	36,800 [10.8]	27,100 [7.9]	9,700 [2.8]	12.00	14.50	77	1,200 [566]
	RCQD-3621 (RGFD-06?MCK?)	37,000 [10.8]	27,200 [8.0]	9,800 [2.9]	12.00	14.50	77	1,175 [554]
	RCQD-3621 (RGFD-09?ZCM?)	37,400 [11.0]	27,200 [8.0]	10,200 [3.0]	13.00	15.50	77	1,150 [543]
	RCQD-3621 (RGFD-10?ZCM?)	37,600 [11.0]	27,700 [8.1]	9,900 [2.9]	13.00	15.50	77	1,175 [554]
	RCQD-3621 (RGFE-06?MCK?)	37,000 [10.8]	27,200 [8.0]	9,800 [2.9]	12.50	15.00	77	1,200 [566]
	RCQD-3621 (RGFE-09?ZCM?)	37,400 [11.0]	27,500 [8.1]	9,900 [2.9]	13.00	15.50	77	1,200 [566]
	RCQD-3621 (RGFE-10?ZCM?)	37,400 [11.0]	27,500 [8.1]	9,900 [2.9]	13.00	15.50	77	1,225 [578]
	RCQD-3621 (RGJD-06?MCK?)	37,200 [10.9]	27,400 [8.0]	9,800 [2.9]	12.50	15.00	77	1,225 [578]
	RCQD-3621 (RGJD-07?MCK?)	37,000 [10.8]	27,200 [8.0]	9,800 [2.9]	12.00	14.50	77	1,225 [578]
	RCQD-3621 (RGJD-09?ZCM?)	37,600 [11.0]	27,650 [8.1]	9,950 [2.9]	13.00	16.00	77	1,175 [554]
	RCQD-3621 (RGJD-10?ZCM?)	37,600 [11.0]	27,650 [8.1]	9,950 [2.9]	13.00	16.00	77	1,175 [554]
	RCQD-3621 (RGJF-06?MCK?)	37,400 [11.0]	27,550 [8.1]	9,850 [2.9]	12.50	15.00	77	1,200 [566]
	RCQD-3621 (RGJF-07?MCK?)	37,200 [10.9]	27,350 [8.0]	9,850 [2.9]	12.50	15.00	77	1,200 [566]
	RCQD-3621 (RGJF-09?ZCM?)	37,600 [11.0]	27,650 [8.1]	9,950 [2.9]	13.00	16.00	77	1,225 [578]
	RCQD-3621 (RGJF-10?ZCM?)	37,600 [11.0]	27,700 [8.1]	9,900 [2.9]	13.00	15.50	77	1,200 [566]
	RCQD-3621 (RGPE-05?BMK?)	37,200 [10.9]	27,350 [8.0]	9,850 [2.9]	12.50	15.00	77	1,200 [566]
	RCQD-3621 (RGPE-07?AMK?)	37,400 [11.0]	27,500 [8.1]	9,900 [2.9]	12.50	15.00	77	1,225 [578]
	RCQD-3621 (RGPE-07?BRQ?)	37,000 [10.8]	26,300 [7.7]	10,700 [3.1]	13.00	16.00	77	1,050 [495]
	RCQD-3621 (RGPE-10?BRM?)	37,200 [10.9]	26,600 [7.8]	10,600 [3.1]	13.00	16.00	77	1,075 [507]
	RCQD-3621 (RGPR-05?BMK?)	37,000 [10.8]	27,200 [8.0]	9,800 [2.9]	12.00	14.50	77	1,200 [566]
	RCQD-3621 (RGPR-07?AMK?)	37,400 [11.0]	27,500 [8.1]	9,900 [2.9]	13.00	15.50	77	1,200 [566]
RCQD-3621 (RGPR-07?BRQ?)	37,000 [10.8]	26,250 [7.7]	10,750 [3.1]	13.00	16.00	77	1,050 [495]	
RCQD-3621 (RGPR-10?BRM?)	37,200 [10.9]	26,600 [7.8]	10,600 [3.1]	13.00	16.00	77	1,075 [507]	
RCQD-3621 (RGPT-05?BMK?)	37,000 [10.8]	26,600 [7.8]	10,400 [3.0]	12.50	15.10	77	1,100 [519]	
RCQD-3621 (RGPT-07?AME?)	37,000 [10.8]	26,600 [7.8]	10,400 [3.0]	13.00	15.50	77	1,100 [519]	
RCQD-3621 (RGPT-07?BRQ?)	37,200 [10.9]	26,450 [7.7]	10,750 [3.1]	13.00	16.00	77	1,050 [495]	
RCQD-3621 (RGPT-10?BRM?)	38,000 [11.1]	28,250 [8.3]	9,750 [2.9]	13.00	16.00	77	1,250 [590]	
RCQD-3621 (RGRM-07?YBG?)	36,600 [10.7]	26,000 [7.6]	10,600 [3.1]	12.50	15.00	77	1,050 [495]	
RCQD-3621 (RGRM-09?ZAJ?)	37,000 [10.8]	26,450 [7.7]	10,550 [3.1]	13.00	15.50	77	1,075 [507]	
RCQD-3621 (RGRM-10?ZAJ?)	37,200 [10.9]	27,050 [7.9]	10,150 [3.0]	13.00	15.50	77	1,150 [543]	
ROCA-070E03 (RCQD-3621)	37,400 [11.0]	27,500 [8.1]	9,900 [2.9]	12.50	15.10	77	1,200 [566]	
ROCA-070E04 (RCQD-3621)	37,400 [11.0]	27,500 [8.1]	9,900 [2.9]	12.50	15.10	77	1,200 [566]	
ROLA-070E03 (RCQD-3621)	37,600 [11.0]	27,650 [8.1]	9,950 [2.9]	13.00	15.50	77	1,175 [554]	
ROLA-070E04 (RCQD-3621)	37,600 [11.0]	27,650 [8.1]	9,950 [2.9]	13.00	15.50	77	1,175 [554]	
ROLA-115E05 (RCQD-3621)	37,600 [11.0]	27,650 [8.1]	9,950 [2.9]	13.00	16.00	77	1,200 [566]	
RCQD-3624	36,800 [10.8]	27,100 [7.9]	9,700 [2.8]	12.00	14.50	77	1,200 [566]	
RCQD-3624 (RGFD-09?ZCM?)	37,400 [11.0]	27,200 [8.0]	10,200 [3.0]	13.00	16.00	77	1,150 [543]	
RCQD-3624 (RGFD-10?ZCM?)	37,600 [11.0]	27,650 [8.1]	9,950 [2.9]	13.00	15.50	77	1,175 [554]	

36

Ⓢ Highest sales volume tested combination required by D.O.E. test procedures.

[] Designates Metric Conversions

Performance Data @ AHRI Standard Conditions—Cooling (con't.)

Model Numbers		80°F [26.5°C] DB/67°F [19.5°C] WB Indoor Air 95°F [35°C] DB Outdoor Air					Sound Rating dB	Indoor CFM [L/s]	
Outdoor Unit 14AJM	Indoor Coil and/or Air Handler	Total Capacity BTU/H [kW]	Net Sensible BTU/H [kW]	Net Latent BTU/H [kW]	EER	SEER			
36	Rev. 7/1/10	RCQD-3624 (RGFD-12?RCM?)	37,600 [11.0]	27,650 [8.1]	9,950 [2.9]	13.00	16.00	77	1,225 [578]
		RCQD-3624 (RGFE-09?ZCM?)	37,600 [11.0]	27,650 [8.1]	9,950 [2.9]	13.00	15.50	77	1,200 [566]
		RCQD-3624 (RGFE-10?ZCM?)	37,400 [11.0]	27,500 [8.1]	9,900 [2.9]	13.00	15.50	77	1,225 [578]
		RCQD-3624 (RGFE-12?RCM?)	37,600 [11.0]	27,650 [8.1]	9,950 [2.9]	13.00	16.00	77	1,225 [578]
		RCQD-3624 (RGJD-09?ZCM?)	37,600 [11.0]	27,650 [8.1]	9,950 [2.9]	13.00	16.00	77	1,175 [554]
		RCQD-3624 (RGJD-10?ZCM?)	37,600 [11.0]	27,650 [8.1]	9,950 [2.9]	13.00	16.00	77	1,175 [554]
		RCQD-3624 (RGJD-12?RCM?)	37,800 [11.1]	27,850 [8.2]	9,950 [2.9]	13.00	16.00	77	1,225 [578]
		RCQD-3624 (RGJF-09?ZCM?)	37,600 [11.0]	27,650 [8.1]	9,950 [2.9]	13.00	16.00	77	1,225 [578]
		RCQD-3624 (RGJF-10?ZCM?)	37,600 [11.0]	27,650 [8.1]	9,950 [2.9]	13.00	16.00	77	1,200 [566]
		RCQD-3624 (RGJF-12?RCM?)	37,800 [11.1]	27,800 [8.1]	10,000 [2.9]	13.00	16.00	77	1,200 [566]
		RCQD-3624 (RGPE-07?BRQ?)	37,000 [10.8]	26,250 [7.7]	10,750 [3.1]	13.00	16.00	77	1,050 [495]
		RCQD-3624 (RGPE-10?BRM?)	37,200 [10.9]	26,600 [7.8]	10,600 [3.1]	13.00	16.00	77	1,075 [507]
		RCQD-3624 (RGPE-12?ARM?)	37,200 [10.9]	26,550 [7.8]	10,650 [3.1]	13.00	16.00	77	1,075 [507]
		RCQD-3624 (RGPR-07?BRQ?)	37,000 [10.8]	26,250 [7.7]	10,750 [3.1]	13.00	16.50	77	1,050 [495]
		RCQD-3624 (RGPR-10?BRM?)	37,200 [10.9]	26,600 [7.8]	10,600 [3.1]	13.00	16.00	77	1,075 [507]
		RCQD-3624 (RGPR-12?ARM?)	37,400 [11.0]	26,900 [7.9]	10,500 [3.1]	13.00	16.50	77	1,100 [519]
		RCQD-3624 (RGPT-07?BRQ?)	37,200 [10.9]	26,450 [7.7]	10,750 [3.1]	13.00	16.00	77	1,050 [495]
		RCQD-3624 (RGPT-10?BRM?)	37,200 [10.9]	26,550 [7.8]	10,650 [3.1]	13.00	16.00	77	1,075 [507]
		RCQD-3624 (RGPT-12?ARM?)	37,800 [11.1]	27,800 [8.1]	10,000 [2.9]	13.00	16.00	77	1,225 [578]
		RCQD-3624 (RGRM-07?YBG?)	36,600 [10.7]	26,000 [7.6]	10,600 [3.1]	12.50	15.00	77	1,050 [495]
		RCQD-3624 (RGRM-09?ZAJ?)	37,000 [10.8]	26,450 [7.7]	10,550 [3.1]	13.00	16.00	77	1,075 [507]
		RCQD-3624 (RGRM-10?ZAJ?)	37,200 [10.9]	27,050 [7.9]	10,150 [3.0]	13.00	15.50	77	1,150 [543]
		RCQD-3624 (RGRM-12?RAJ?)	37,000 [10.8]	26,400 [7.7]	10,600 [3.1]	13.00	16.00	77	1,075 [507]
		ROCA-070E03 (RCQD-3624)	37,400 [11.0]	27,500 [8.1]	9,900 [2.9]	13.00	15.50	77	1,200 [566]
		ROCA-070E04 (RCQD-3624)	37,400 [11.0]	27,500 [8.1]	9,900 [2.9]	13.00	15.50	77	1,200 [566]
		ROLA-070E03 (RCQD-3624)	37,600 [11.0]	27,650 [8.1]	9,950 [2.9]	13.00	16.00	77	1,175 [554]
		ROLA-070E04 (RCQD-3624)	37,600 [11.0]	27,650 [8.1]	9,950 [2.9]	13.00	16.00	77	1,175 [554]
		ROLA-115E05 (RCQD-3624)	37,800 [11.1]	27,800 [8.1]	10,000 [2.9]	13.00	16.00	77	1,200 [566]
		RHKL-HM3617 (RCSL-H*3617)	36,200 [10.6]	26,100 [7.6]	10,100 [3.0]	12.50	15.00	77	1,225 [578]
		RHLL-HM3617 (RCSL-H*3617)	36,200 [10.6]	25,950 [7.6]	10,250 [3.0]	13.00	15.50	77	1,200 [566]
		RHSL-HM3617 (RCSL-H*3617)	35,000 [10.3]	24,350 [7.1]	10,650 [3.1]	12.00	14.50	77	1,100 [519]
		RHSL-HM3621 (RCSL-H*3621)	35,000 [10.3]	24,350 [7.1]	10,650 [3.1]	12.00	14.50	77	1,100 [519]
		RHKL-HM3821 (RCSL-H*3821)	37,800 [11.1]	27,650 [8.1]	10,150 [3.0]	13.00	16.00	77	1,200 [566]
		RHLL-HM3821 (RCSL-H*3821)	37,600 [11.0]	27,250 [8.0]	10,350 [3.0]	13.00	16.00	77	1,175 [554]
		RHPN-HM3624 (RCSN-H*3624)	39,500 [11.6]	29,850 [8.7]	9,650 [2.8]	13.00	16.00	77	1,200 [566]
		RHPN-HM3624 (RCSN-H*3624A*)	39,500 [11.6]	29,850 [8.7]	9,650 [2.8]	13.00	16.00	77	1,200 [566]
42		RCFL-H*4821+RXMD-C04 ①	40,500 [11.9]	29,750 [8.7]	10,750 [3.1]	12.00	14.50	77	1,425 [672]
		RCFL-A*3821 (RGLT-07?AME?)	40,000 [11.7]	28,850 [8.5]	11,150 [3.3]	12.00	14.50	77	1,350 [637]
		RCFL-A*3821 (RGLT-07?BRQ?)	40,000 [11.7]	28,150 [8.2]	11,850 [3.5]	12.50	15.50	77	1,250 [590]
		RCFL-A*3821 (RGLT-10?BRM?)	40,500 [11.9]	28,650 [8.4]	11,850 [3.5]	13.00	15.50	77	1,250 [590]
		RCFL-A*3821 (RGPT-05?BMK?)	39,500 [11.6]	27,650 [8.1]	11,850 [3.5]	12.00	14.50	77	1,225 [578]
		RCFL-A*3821 (RGPT-07?AME?)	40,000 [11.7]	28,250 [8.3]	11,750 [3.4]	12.00	14.50	77	1,250 [590]
		RCFL-A*3821 (RGPT-07?BRQ?)	40,500 [11.9]	28,600 [8.4]	11,900 [3.5]	13.00	15.50	77	1,250 [590]
		RCFL-A*3821 (RGPT-10?BRM?)	40,000 [11.7]	28,000 [8.2]	12,000 [3.5]	13.00	15.50	77	1,225 [578]
		ROCA-070E03 (RCFL-A*3821)	40,000 [11.7]	27,950 [8.2]	12,050 [3.5]	12.50	15.00	77	1,200 [566]
		ROCA-070E04 (RCFL-A*3821)	40,000 [11.7]	27,950 [8.2]	12,050 [3.5]	12.50	15.00	77	1,200 [566]
		ROLA-070E03 (RCFL-A*3821)	40,000 [11.7]	27,750 [8.1]	12,250 [3.6]	12.50	15.00	77	1,175 [554]
		ROLA-070E04 (RCFL-A*3821)	40,500 [11.9]	29,400 [8.6]	11,100 [3.3]	12.50	15.00	77	1,375 [649]
		ROLA-115E05 (RCFL-A*3821)	40,000 [11.7]	27,850 [8.2]	12,150 [3.6]	13.00	15.50	77	1,200 [566]
		RCFL-A*3824 (RGLT-07?BRQ?)	40,000 [11.7]	28,150 [8.2]	11,850 [3.5]	12.50	15.50	77	1,250 [590]
		RCFL-A*3824 (RGLT-10?BRM?)	40,500 [11.9]	28,650 [8.4]	11,850 [3.5]	12.50	15.50	77	1,250 [590]
		RCFL-A*3824 (RGLT-12?ARM?)	41,000 [12.0]	29,850 [8.7]	11,150 [3.3]	12.50	15.50	77	1,375 [649]
		RCFL-A*3824 (RGPT-07?BRQ?)	40,000 [11.7]	28,000 [8.2]	12,000 [3.5]	13.00	15.50	77	1,225 [578]

① Highest sales volume tested combination required by D.O.E. test procedures.

[] Designates Metric Conversions

Performance Data @ AHRI Standard Conditions—Cooling (con't.)

Model Numbers		80°F [26.5°C] DB/67°F [19.5°C] WB Indoor Air 95°F [35°C] DB Outdoor Air					Sound Rating dB	Indoor CFM [L/s]
Outdoor Unit 14AJM	Indoor Coil and/or Air Handler	Total Capacity BTU/H [kW]	Net Sensible BTU/H [kW]	Net Latent BTU/H [kW]	EER	SEER		
Rev. 7/1/10	RCFL-A*3824 (RGPT-10?BRM?)	40,000 [11.7]	28,000 [8.2]	12,000 [3.5]	13.00	15.50	77	1,225 [578]
	RCFL-A*3824 (RGPT-12?ARM?)	41,000 [12.0]	29,850 [8.7]	11,150 [3.3]	13.00	15.50	77	1,375 [649]
	ROCA-070E03 (RCFL-A*3824)	40,000 [11.7]	27,950 [8.2]	12,050 [3.5]	12.50	15.00	77	1,200 [566]
	ROCA-070E04 (RCFL-A*3824)	40,000 [11.7]	27,950 [8.2]	12,050 [3.5]	12.50	15.00	77	1,200 [566]
	ROLA-070E03 (RCFL-A*3824)	40,000 [11.7]	27,750 [8.1]	12,250 [3.6]	12.50	15.00	77	1,175 [554]
	ROLA-070E04 (RCFL-A*3824)	40,500 [11.9]	29,400 [8.6]	11,100 [3.3]	12.50	15.00	77	1,375 [649]
	ROLA-115E05 (RCFL-A*3824)	40,500 [11.9]	29,700 [8.7]	10,800 [3.2]	12.50	15.00	77	1,400 [661]
	RCFL-A*4821 (RGFE-09?ZCM?)	40,000 [11.7]	27,950 [8.2]	12,050 [3.5]	12.50	15.10	77	1,200 [566]
	RCFL-A*4821 (RGFE-10?ZCM?)	40,000 [11.7]	28,100 [8.2]	11,900 [3.5]	12.50	15.10	77	1,225 [578]
	RCFL-A*4821 (RGGD-06?MCK?)	39,500 [11.6]	27,650 [8.1]	11,850 [3.5]	12.00	14.50	77	1,225 [578]
	RCFL-A*4821 (RGGD-09?ZCM?)	40,500 [11.9]	29,750 [8.7]	10,750 [3.1]	12.00	14.50	77	1,425 [672]
	RCFL-A*4821 (RGGD-10?ZCM?)	40,500 [11.9]	29,700 [8.7]	10,800 [3.2]	12.00	14.50	77	1,425 [672]
	RCFL-A*4821 (RGGE-06?MCK?)	39,500 [11.6]	27,500 [8.1]	12,000 [3.5]	12.00	14.50	77	1,200 [566]
	RCFL-A*4821 (RGGE-07?MCK?)	39,500 [11.6]	27,500 [8.1]	12,000 [3.5]	12.00	14.50	77	1,200 [566]
	RCFL-A*4821 (RGGE-09?ZCM?)	40,000 [11.7]	28,050 [8.2]	11,950 [3.5]	12.50	15.10	77	1,225 [578]
	RCFL-A*4821 (RGGE-10?ZCM?)	40,000 [11.7]	27,950 [8.2]	12,050 [3.5]	12.50	15.10	77	1,200 [566]
	RCFL-A*4821 (RGLL-07?AMK?)	40,000 [11.7]	27,950 [8.2]	12,050 [3.5]	12.50	15.00	77	1,200 [566]
	RCFL-A*4821 (RGLL-10?BRM?)	40,000 [11.7]	27,850 [8.2]	12,150 [3.6]	13.00	15.50	77	1,200 [566]
	RCFL-A*4821 (RGLR-07?AMK?)	40,000 [11.7]	27,950 [8.2]	12,050 [3.5]	12.00	15.00	77	1,200 [566]
	RCFL-A*4821 (RGLR-07?BRQ?)	41,000 [12.0]	30,150 [8.8]	10,850 [3.2]	12.50	15.10	77	1,425 [672]
	RCFL-A*4821 (RGLR-10?BRM?)	40,500 [11.9]	29,350 [8.6]	11,150 [3.3]	12.50	15.10	77	1,375 [649]
	RCFL-A*4821 (RGLT-07?AME?)	40,000 [11.7]	28,850 [8.5]	11,150 [3.3]	12.00	14.50	77	1,350 [637]
	RCFL-A*4821 (RGLT-07?BRQ?)	40,000 [11.7]	28,150 [8.2]	11,850 [3.5]	12.50	15.50	77	1,250 [590]
	RCFL-A*4821 (RGLT-10?BRM?)	40,500 [11.9]	28,650 [8.4]	11,850 [3.5]	13.00	15.50	77	1,250 [590]
	RCFL-A*4821 (RGPE-05?BMK?)	39,500 [11.6]	27,500 [8.1]	12,000 [3.5]	12.00	14.50	77	1,200 [566]
	RCFL-A*4821 (RGPE-07?AMK?)	40,000 [11.7]	28,100 [8.2]	11,900 [3.5]	12.50	14.50	77	1,225 [578]
	RCFL-A*4821 (RGPE-07?BRQ?)	40,000 [11.7]	28,000 [8.2]	12,000 [3.5]	13.00	15.50	77	1,225 [578]
	RCFL-A*4821 (RGPE-10?BRM?)	40,000 [11.7]	28,000 [8.2]	12,000 [3.5]	13.00	15.50	77	1,225 [578]
	RCFL-A*4821 (RGPR-07?AMK?)	39,500 [11.6]	27,450 [8.0]	12,050 [3.5]	12.00	15.00	77	1,200 [566]
	RCFL-A*4821 (RGPR-07?BRQ?)	41,000 [12.0]	30,150 [8.8]	10,850 [3.2]	12.50	15.10	77	1,400 [661]
	RCFL-A*4821 (RGPR-10?BRM?)	40,500 [11.9]	29,700 [8.7]	10,800 [3.2]	12.00	15.00	77	1,425 [672]
	RCFL-A*4821 (RGPT-05?BMK?)	39,500 [11.6]	27,650 [8.1]	11,850 [3.5]	12.00	14.50	77	1,225 [578]
	RCFL-A*4821 (RGPT-07?AME?)	40,000 [11.7]	28,250 [8.3]	11,750 [3.4]	12.00	14.50	77	1,250 [590]
	RCFL-A*4821 (RGPT-07?BRQ?)	40,500 [11.9]	28,600 [8.4]	11,900 [3.5]	13.00	15.50	77	1,250 [590]
	RCFL-A*4821 (RGPT-10?BRM?)	40,000 [11.7]	28,000 [8.2]	12,000 [3.5]	13.00	15.50	77	1,225 [578]
	ROCA-070E03 (RCFL-A*4821)	40,000 [11.7]	27,950 [8.2]	12,050 [3.5]	12.50	15.00	77	1,200 [566]
	ROCA-070E04 (RCFL-A*4821)	40,000 [11.7]	27,950 [8.2]	12,050 [3.5]	12.50	15.00	77	1,200 [566]
	ROLA-070E03 (RCFL-A*4821)	40,000 [11.7]	27,750 [8.1]	12,250 [3.6]	12.50	15.00	77	1,175 [554]
	ROLA-070E04 (RCFL-A*4821)	40,500 [11.9]	29,400 [8.6]	11,100 [3.3]	12.50	15.00	77	1,375 [649]
	ROLA-115E05 (RCFL-A*4821)	40,000 [11.7]	27,850 [8.2]	12,150 [3.6]	13.00	15.50	77	1,200 [566]
	RCFL-A*4821+RXMD-C04	40,500 [11.9]	29,750 [8.7]	10,750 [3.1]	12.00	14.50	77	1,425 [672]
	RCFL-A*4824 (RGFE-09?ZCM?)	40,000 [11.7]	27,950 [8.2]	12,050 [3.5]	12.50	15.10	77	1,200 [566]
RCFL-A*4824 (RGFE-10?ZCM?)	40,000 [11.7]	28,100 [8.2]	11,900 [3.5]	12.50	15.10	77	1,225 [578]	
RCFL-A*4824 (RGFE-12?RCM?)	40,000 [11.7]	28,000 [8.2]	12,000 [3.5]	12.50	15.10	77	1,225 [578]	
RCFL-A*4824 (RGGD-09?ZCM?)	40,500 [11.9]	29,750 [8.7]	10,750 [3.1]	12.00	14.50	77	1,425 [672]	
RCFL-A*4824 (RGGD-10?ZCM?)	40,500 [11.9]	29,700 [8.7]	10,800 [3.2]	12.00	14.50	77	1,425 [672]	
RCFL-A*4824 (RGGE-09?ZCM?)	40,000 [11.7]	28,050 [8.2]	11,950 [3.5]	12.50	15.10	77	1,225 [578]	
RCFL-A*4824 (RGGE-10?ZCM?)	40,000 [11.7]	27,950 [8.2]	12,050 [3.5]	12.50	15.10	77	1,200 [566]	
RCFL-A*4824 (RGGE-12?RCM?)	40,000 [11.7]	27,850 [8.2]	12,150 [3.6]	13.00	15.50	77	1,200 [566]	
RCFL-A*4824 (RGLL-10?BRM?)	40,000 [11.7]	27,850 [8.2]	12,150 [3.6]	13.00	15.50	77	1,200 [566]	
RCFL-A*4824 (RGLL-12?ARM?)	40,000 [11.7]	28,000 [8.2]	12,000 [3.5]	13.00	15.50	77	1,225 [578]	
RCFL-A*4824 (RGLR-07?BRQ?)	41,000 [12.0]	30,150 [8.8]	10,850 [3.2]	12.50	15.10	77	1,425 [672]	
RCFL-A*4824 (RGLR-10?BRM?)	40,500 [11.9]	29,350 [8.6]	11,150 [3.3]	12.50	15.10	77	1,375 [649]	

① Highest sales volume tested combination required by D.O.E. test procedures.

[] Designates Metric Conversions

Performance Data @ AHRI Standard Conditions—Cooling (con't.)

Model Numbers		80°F [26.5°C] DB/67°F [19.5°C] WB Indoor Air 95°F [35°C] DB Outdoor Air					Sound Rating dB	Indoor CFM [L/s]	
Outdoor Unit 14AJM	Indoor Coil and/or Air Handler	Total Capacity BTU/H [kW]	Net Sensible BTU/H [kW]	Net Latent BTU/H [kW]	EER	SEER			
Rev. 7/1/10	RCFL-A*4824 (RGLT-07?BRQ?)	40,000 [11.7]	28,150 [8.2]	11,850 [3.5]	12.50	15.50	77	1,250 [590]	
	RCFL-A*4824 (RGLT-10?BRM?)	40,500 [11.9]	28,650 [8.4]	11,850 [3.5]	12.50	15.50	77	1,250 [590]	
	RCFL-A*4824 (RGLT-12?ARM?)	41,000 [12.0]	29,850 [8.7]	11,150 [3.3]	12.50	15.50	77	1,375 [649]	
	RCFL-A*4824 (RGPE-07?BRQ?)	40,000 [11.7]	28,000 [8.2]	12,000 [3.5]	13.00	15.50	77	1,225 [578]	
	RCFL-A*4824 (RGPE-10?BRM?)	40,000 [11.7]	28,000 [8.2]	12,000 [3.5]	13.00	15.50	77	1,225 [578]	
	RCFL-A*4824 (RGPE-12?ARM?)	40,000 [11.7]	27,850 [8.2]	12,150 [3.6]	13.00	15.50	77	1,200 [566]	
	RCFL-A*4824 (RGPR-07?BRQ?)	41,000 [12.0]	30,150 [8.8]	10,850 [3.2]	12.50	15.10	77	1,400 [661]	
	RCFL-A*4824 (RGPR-10?BRM?)	40,500 [11.9]	29,700 [8.7]	10,800 [3.2]	12.00	15.00	77	1,425 [672]	
	RCFL-A*4824 (RGPT-07?BRQ?)	40,000 [11.7]	28,000 [8.2]	12,000 [3.5]	13.00	15.50	77	1,225 [578]	
	RCFL-A*4824 (RGPT-10?BRM?)	40,000 [11.7]	28,000 [8.2]	12,000 [3.5]	13.00	15.50	77	1,225 [578]	
	RCFL-A*4824 (RGPT-12?ARM?)	41,000 [12.0]	29,850 [8.7]	11,150 [3.3]	13.00	15.50	77	1,375 [649]	
	RCFL-A*4824 (RGTM-07?RBG?)	39,500 [11.6]	27,000 [7.9]	12,500 [3.7]	12.50	15.50	77	1,125 [531]	
	RCFL-A*4824 (RGTM-09?ZAJ?)	40,000 [11.7]	28,200 [8.3]	11,800 [3.5]	12.50	15.10	77	1,250 [590]	
	RCFL-A*4824 (RGTM-10?RBJ?)	39,500 [11.6]	26,950 [7.9]	12,550 [3.7]	13.00	15.50	77	1,125 [531]	
	ROCA-070E03 (RCFL-A*4824)	40,000 [11.7]	27,950 [8.2]	12,050 [3.5]	12.50	15.00	77	1,200 [566]	
	ROCA-070E04 (RCFL-A*4824)	40,000 [11.7]	27,950 [8.2]	12,050 [3.5]	12.50	15.00	77	1,200 [566]	
	ROLA-070E03 (RCFL-A*4824)	40,000 [11.7]	27,750 [8.1]	12,250 [3.6]	12.50	15.00	77	1,175 [554]	
	ROLA-070E04 (RCFL-A*4824)	40,500 [11.9]	29,400 [8.6]	11,100 [3.3]	12.50	15.00	77	1,375 [649]	
	ROLA-115E05 (RCFL-A*4824)	40,500 [11.9]	29,700 [8.7]	10,800 [3.2]	12.50	15.00	77	1,400 [661]	
	RCFL-A*4824+RXMD-C04	40,500 [11.9]	29,750 [8.7]	10,750 [3.1]	12.00	14.50	77	1,425 [672]	
	42	RCFL-H*3821	39,500 [11.6]	28,250 [8.3]	11,250 [3.3]	11.50	14.00	77	1,220 [576]
		RCFL-H*3821 (RGFD-09?ZCM?)	39,500 [11.6]	27,800 [8.1]	11,700 [3.4]	12.50	15.10	77	1,150 [543]
		RCFL-H*3821 (RGFD-10?ZCM?)	39,500 [11.6]	27,950 [8.2]	11,550 [3.4]	12.50	15.00	77	1,175 [554]
		RCFL-H*3821 (RGFE-09?ZCM?)	40,000 [11.7]	28,650 [8.4]	11,350 [3.3]	12.50	15.10	77	1,200 [566]
		RCFL-H*3821 (RGFE-10?ZCM?)	39,500 [11.6]	28,150 [8.2]	11,350 [3.3]	12.00	14.50	77	1,225 [578]
		RCFL-H*3821 (RGGD-09?ZCM?)	39,500 [11.6]	27,900 [8.2]	11,600 [3.4]	12.50	15.10	77	1,175 [554]
		RCFL-H*3821 (RGGD-10?ZCM?)	39,500 [11.6]	27,900 [8.2]	11,600 [3.4]	12.50	15.10	77	1,175 [554]
		RCFL-H*3821 (RGGE-06?MCK?)	39,500 [11.6]	28,200 [8.3]	11,300 [3.3]	12.00	14.50	77	1,200 [566]
		RCFL-H*3821 (RGGE-07?MCK?)	39,500 [11.6]	28,200 [8.3]	11,300 [3.3]	12.00	14.50	77	1,200 [566]
		RCFL-H*3821 (RGGE-09?ZCM?)	40,000 [11.7]	28,650 [8.4]	11,350 [3.3]	12.50	15.10	77	1,225 [578]
		RCFL-H*3821 (RGGE-10?ZCM?)	40,000 [11.7]	28,650 [8.4]	11,350 [3.3]	12.50	15.10	77	1,200 [566]
		RCFL-H*3821 (RGJD-09?ZCM?)	39,500 [11.6]	27,900 [8.2]	11,600 [3.4]	12.50	15.10	77	1,175 [554]
		RCFL-H*3821 (RGJD-10?ZCM?)	39,500 [11.6]	27,900 [8.2]	11,600 [3.4]	12.50	15.10	77	1,175 [554]
		RCFL-H*3821 (RGJF-06?MCK?)	39,500 [11.6]	28,200 [8.3]	11,300 [3.3]	12.00	14.50	77	1,200 [566]
		RCFL-H*3821 (RGJF-07?MCK?)	39,500 [11.6]	28,200 [8.3]	11,300 [3.3]	12.00	14.50	77	1,200 [566]
		RCFL-H*3821 (RGJF-09?ZCM?)	40,000 [11.7]	28,600 [8.4]	11,400 [3.3]	12.50	15.10	77	1,225 [578]
		RCFL-H*3821 (RGJF-10?ZCM?)	40,000 [11.7]	28,650 [8.4]	11,350 [3.3]	12.50	15.10	77	1,200 [566]
		RCFL-H*3821 (RGLE-07?AMK?)	39,500 [11.6]	28,150 [8.2]	11,350 [3.3]	12.00	14.50	77	1,200 [566]
		RCFL-H*3821 (RGLE-07?BRQ?)	40,000 [11.7]	28,600 [8.4]	11,400 [3.3]	12.50	15.10	77	1,225 [578]
		RCFL-H*3821 (RGLE-10?BRM?)	40,000 [11.7]	28,550 [8.4]	11,450 [3.4]	13.00	15.50	77	1,200 [566]
RCFL-H*3821 (RGLR-07?AMK?)		39,500 [11.6]	28,150 [8.2]	11,350 [3.3]	12.00	14.50	77	1,200 [566]	
RCFL-H*3821 (RGLR-07?BRQ?)		40,000 [11.7]	28,600 [8.4]	11,400 [3.3]	12.50	15.50	77	1,225 [578]	
RCFL-H*3821 (RGLR-10?BRM?)		40,000 [11.7]	28,600 [8.4]	11,400 [3.3]	12.50	15.50	77	1,200 [566]	
RCFL-H*3821 (RGLT-07?AME?)		40,000 [11.7]	28,850 [8.5]	11,150 [3.3]	12.00	14.50	77	1,350 [637]	
RCFL-H*3821 (RGLT-07?BRQ?)		40,000 [11.7]	28,150 [8.2]	11,850 [3.5]	12.50	15.50	77	1,250 [590]	
RCFL-H*3821 (RGLT-10?BRM?)		40,500 [11.9]	28,650 [8.4]	11,850 [3.5]	13.00	15.50	77	1,250 [590]	
RCFL-H*3821 (RGPE-05?BMK?)		39,500 [11.6]	28,200 [8.3]	11,300 [3.3]	12.00	14.50	77	1,200 [566]	
RCFL-H*3821 (RGPE-07?AMK?)		39,500 [11.6]	28,200 [8.3]	11,300 [3.3]	12.00	14.50	77	1,225 [578]	
RCFL-H*3821 (RGPE-07?BRQ?)		40,000 [11.7]	28,600 [8.4]	11,400 [3.3]	12.50	15.50	77	1,225 [578]	
RCFL-H*3821 (RGPE-10?BRM?)		40,000 [11.7]	28,600 [8.4]	11,400 [3.3]	12.50	15.50	77	1,225 [578]	
RCFL-H*3821 (RGPR-07?AMK?)		39,500 [11.6]	28,200 [8.3]	11,300 [3.3]	12.00	14.50	77	1,200 [566]	
RCFL-H*3821 (RGPR-07?BRQ?)		40,000 [11.7]	28,600 [8.4]	11,400 [3.3]	12.50	15.50	77	1,200 [566]	
RCFL-H*3821 (RGPR-10?BRM?)	40,000 [11.7]	28,600 [8.4]	11,400 [3.3]	12.50	15.10	77	1,200 [566]		

① Highest sales volume tested combination required by D.O.E. test procedures.

[] Designates Metric Conversions

Performance Data @ AHRI Standard Conditions—Cooling (con't.)

Model Numbers		80°F [26.5°C] DB/67°F [19.5°C] WB Indoor Air 95°F [35°C] DB Outdoor Air					Sound Rating dB	Indoor CFM [L/s]
Outdoor Unit 14AJM	Indoor Coil and/or Air Handler	Total Capacity BTU/H [kW]	Net Sensible BTU/H [kW]	Net Latent BTU/H [kW]	EER	SEER		
Rev. 7/1/10	RCFL-H*3821 (RGPT-05?BMK?)	39,500 [11.6]	27,650 [8.1]	11,850 [3.5]	12.00	14.50	77	1,225 [578]
	RCFL-H*3821 (RGPT-07?AME?)	40,000 [11.7]	28,250 [8.3]	11,750 [3.4]	12.00	14.50	77	1,250 [590]
	RCFL-H*3821 (RGPT-07?BRQ?)	40,500 [11.9]	28,600 [8.4]	11,900 [3.5]	13.00	15.50	77	1,250 [590]
	RCFL-H*3821 (RGPT-10?BRM?)	40,000 [11.7]	28,000 [8.2]	12,000 [3.5]	13.00	15.50	77	1,225 [578]
	RCFL-H*3821 (RGRM-09?ZAJ?)	39,500 [11.6]	28,200 [8.3]	11,300 [3.3]	12.00	14.50	77	1,225 [578]
	RCFL-H*3821 (RGRM-10?ZAJ?)	39,500 [11.6]	27,850 [8.2]	11,650 [3.4]	12.00	14.50	77	1,150 [543]
	RCFL-H*3821 (RGTM-07?RBG?)	39,500 [11.6]	27,650 [8.1]	11,850 [3.5]	12.50	15.10	77	1,125 [531]
	RCFL-H*3821 (RGTM-09?ZAJ?)	40,000 [11.7]	28,800 [8.4]	11,200 [3.3]	12.50	15.10	77	1,250 [590]
	ROCA-070E03 (RCFL-H*3821)	40,000 [11.7]	27,950 [8.2]	12,050 [3.5]	12.50	15.00	77	1,200 [566]
	ROCA-070E04 (RCFL-H*3821)	40,000 [11.7]	27,950 [8.2]	12,050 [3.5]	12.50	15.00	77	1,200 [566]
	ROLA-070E03 (RCFL-H*3821)	40,000 [11.7]	27,750 [8.1]	12,250 [3.6]	12.50	15.00	77	1,175 [554]
	ROLA-070E04 (RCFL-H*3821)	40,500 [11.9]	29,400 [8.6]	11,100 [3.3]	12.50	15.00	77	1,375 [649]
	ROLA-115E05 (RCFL-H*3821)	40,000 [11.7]	27,850 [8.2]	12,150 [3.6]	13.00	15.50	77	1,200 [566]
	RCFL-H*3824 (RGLT-07?BRQ?)	40,000 [11.7]	28,150 [8.2]	11,850 [3.5]	12.50	15.50	77	1,250 [590]
	RCFL-H*3824 (RGLT-10?BRM?)	40,500 [11.9]	28,650 [8.4]	11,850 [3.5]	12.50	15.50	77	1,250 [590]
	RCFL-H*3824 (RGLT-12?ARM?)	41,000 [12.0]	29,850 [8.7]	11,150 [3.3]	12.50	15.50	77	1,375 [649]
	RCFL-H*3824 (RGPT-07?BRQ?)	40,000 [11.7]	28,000 [8.2]	12,000 [3.5]	13.00	15.50	77	1,225 [578]
	RCFL-H*3824 (RGPT-10?BRM?)	40,000 [11.7]	28,000 [8.2]	12,000 [3.5]	13.00	15.50	77	1,225 [578]
	RCFL-H*3824 (RGPT-12?ARM?)	41,000 [12.0]	29,850 [8.7]	11,150 [3.3]	13.00	15.50	77	1,375 [649]
	ROCA-070E03 (RCFL-H*3824)	40,000 [11.7]	27,950 [8.2]	12,050 [3.5]	12.50	15.00	77	1,200 [566]
	ROCA-070E04 (RCFL-H*3824)	40,000 [11.7]	27,950 [8.2]	12,050 [3.5]	12.50	15.00	77	1,200 [566]
	ROLA-070E03 (RCFL-H*3824)	40,000 [11.7]	27,750 [8.1]	12,250 [3.6]	12.50	15.00	77	1,175 [554]
	ROLA-070E04 (RCFL-H*3824)	40,500 [11.9]	29,400 [8.6]	11,100 [3.3]	12.50	15.00	77	1,375 [649]
	ROLA-115E05 (RCFL-H*3824)	40,500 [11.9]	29,700 [8.7]	10,800 [3.2]	12.50	15.00	77	1,400 [661]
	RCFL-H*4821 (RGFE-09?ZCM?)	40,000 [11.7]	27,950 [8.2]	12,050 [3.5]	12.50	15.10	77	1,200 [566]
	RCFL-H*4821 (RGFE-10?ZCM?)	40,000 [11.7]	28,100 [8.2]	11,900 [3.5]	12.50	15.10	77	1,225 [578]
	RCFL-H*4821 (RGGD-06?MCK?)	39,500 [11.6]	27,650 [8.1]	11,850 [3.5]	12.00	14.50	77	1,225 [578]
	RCFL-H*4821 (RGGD-09?ZCM?)	40,500 [11.9]	29,750 [8.7]	10,750 [3.1]	12.00	14.50	77	1,425 [672]
	RCFL-H*4821 (RGGD-10?ZCM?)	40,500 [11.9]	29,700 [8.7]	10,800 [3.2]	12.00	14.50	77	1,425 [672]
	RCFL-H*4821 (RGGE-06?MCK?)	39,500 [11.6]	27,500 [8.1]	12,000 [3.5]	12.00	14.50	77	1,200 [566]
	RCFL-H*4821 (RGGE-07?MCK?)	39,500 [11.6]	27,500 [8.1]	12,000 [3.5]	12.00	14.50	77	1,200 [566]
	RCFL-H*4821 (RGGE-09?ZCM?)	40,000 [11.7]	28,050 [8.2]	11,950 [3.5]	12.50	15.10	77	1,225 [578]
	RCFL-H*4821 (RGGE-10?ZCM?)	40,000 [11.7]	27,950 [8.2]	12,050 [3.5]	12.50	15.10	77	1,200 [566]
	RCFL-H*4821 (RGJD-06?MCK?)	39,500 [11.6]	27,650 [8.1]	11,850 [3.5]	12.00	14.50	77	1,225 [578]
	RCFL-H*4821 (RGJD-09?ZCM?)	40,500 [11.9]	29,700 [8.7]	10,800 [3.2]	12.00	14.50	77	1,425 [672]
	RCFL-H*4821 (RGJD-10?ZCM?)	40,500 [11.9]	29,700 [8.7]	10,800 [3.2]	12.00	14.50	77	1,425 [672]
	RCFL-H*4821 (RGJF-06?MCK?)	39,500 [11.6]	27,500 [8.1]	12,000 [3.5]	12.00	14.50	77	1,200 [566]
	RCFL-H*4821 (RGJF-07?MCK?)	39,500 [11.6]	27,500 [8.1]	12,000 [3.5]	12.00	14.50	77	1,200 [566]
	RCFL-H*4821 (RGJF-09?ZCM?)	40,000 [11.7]	28,050 [8.2]	11,950 [3.5]	12.50	15.10	77	1,225 [578]
	RCFL-H*4821 (RGJF-10?ZCM?)	40,000 [11.7]	27,900 [8.2]	12,100 [3.5]	12.50	15.10	77	1,200 [566]
	RCFL-H*4821 (RGLF-07?AMK?)	40,000 [11.7]	27,950 [8.2]	12,050 [3.5]	12.50	15.00	77	1,200 [566]
	RCFL-H*4821 (RGLF-10?BRM?)	40,000 [11.7]	27,850 [8.2]	12,150 [3.6]	13.00	15.50	77	1,200 [566]
RCFL-H*4821 (RGLR-07?AMK?)	40,000 [11.7]	27,950 [8.2]	12,050 [3.5]	12.00	15.00	77	1,200 [566]	
RCFL-H*4821 (RGLR-07?BRQ?)	41,000 [12.0]	30,150 [8.8]	10,850 [3.2]	12.50	15.10	77	1,425 [672]	
RCFL-H*4821 (RGLR-10?BRM?)	40,500 [11.9]	29,350 [8.6]	11,150 [3.3]	12.50	15.10	77	1,375 [649]	
RCFL-H*4821 (RGLT-07?AME?)	40,000 [11.7]	28,850 [8.5]	11,150 [3.3]	12.00	14.50	77	1,350 [637]	
RCFL-H*4821 (RGLT-07?BRQ?)	40,000 [11.7]	28,150 [8.2]	11,850 [3.5]	12.50	15.50	77	1,250 [590]	
RCFL-H*4821 (RGLT-10?BRM?)	40,500 [11.9]	28,650 [8.4]	11,850 [3.5]	13.00	15.50	77	1,250 [590]	
RCFL-H*4821 (RGPE-05?BMK?)	39,500 [11.6]	27,500 [8.1]	12,000 [3.5]	12.00	14.50	77	1,200 [566]	
RCFL-H*4821 (RGPE-07?AMK?)	40,000 [11.7]	28,100 [8.2]	11,900 [3.5]	12.50	14.50	77	1,225 [578]	
RCFL-H*4821 (RGPE-07?BRQ?)	40,000 [11.7]	28,000 [8.2]	12,000 [3.5]	13.00	15.50	77	1,225 [578]	
RCFL-H*4821 (RGPE-10?BRM?)	40,000 [11.7]	28,000 [8.2]	12,000 [3.5]	13.00	15.50	77	1,225 [578]	
RCFL-H*4821 (RGPR-07?AMK?)	39,500 [11.6]	27,450 [8.0]	12,050 [3.5]	12.00	15.00	77	1,200 [566]	

① Highest sales volume tested combination required by D.O.E. test procedures.

[] Designates Metric Conversions

Performance Data @ AHRI Standard Conditions—Cooling (con't.)

Model Numbers		80°F [26.5°C] DB/67°F [19.5°C] WB Indoor Air 95°F [35°C] DB Outdoor Air					Sound Rating dB	Indoor CFM [L/s]
Outdoor Unit 14AJM	Indoor Coil and/or Air Handler	Total Capacity BTU/H [kW]	Net Sensible BTU/H [kW]	Net Latent BTU/H [kW]	EER	SEER		
Rev. 7/1/10	RCFL-H*4821 (RGPR-07?BRQ?)	41,000 [12.0]	30,150 [8.8]	10,850 [3.2]	12.50	15.10	77	1,400 [661]
	RCFL-H*4821 (RGPR-10?BRM?)	40,500 [11.9]	29,700 [8.7]	10,800 [3.2]	12.00	15.00	77	1,425 [672]
	RCFL-H*4821 (RGPT-05?BMK?)	39,500 [11.6]	27,650 [8.1]	11,850 [3.5]	12.00	14.50	77	1,225 [578]
	RCFL-H*4821 (RGPT-07?AME?)	40,000 [11.7]	28,250 [8.3]	11,750 [3.4]	12.00	14.50	77	1,250 [590]
	RCFL-H*4821 (RGPT-07?BRQ?)	40,500 [11.9]	28,600 [8.4]	11,900 [3.5]	13.00	15.50	77	1,250 [590]
	RCFL-H*4821 (RGPT-10?BRM?)	40,000 [11.7]	28,000 [8.2]	12,000 [3.5]	13.00	15.50	77	1,225 [578]
	RCFL-H*4821 (RGRM-09?ZAJ?)	40,000 [11.7]	28,100 [8.2]	11,900 [3.5]	12.00	14.50	77	1,225 [578]
	RCFL-H*4821 (RGRM-10?ZAJ?)	39,500 [11.6]	27,200 [8.0]	12,300 [3.6]	12.00	15.00	77	1,150 [543]
	RCFL-H*4821 (RGTM-07?RBG?)	39,500 [11.6]	27,000 [7.9]	12,500 [3.7]	12.50	15.50	77	1,125 [531]
	RCFL-H*4821 (RGTM-09?ZAJ?)	40,000 [11.7]	28,200 [8.3]	11,800 [3.5]	12.50	15.10	77	1,250 [590]
	ROCA-070E03 (RCFL-H*4821)	40,000 [11.7]	27,950 [8.2]	12,050 [3.5]	12.50	15.00	77	1,200 [566]
	ROCA-070E04 (RCFL-H*4821)	40,000 [11.7]	27,950 [8.2]	12,050 [3.5]	12.50	15.00	77	1,200 [566]
	ROLA-070E03 (RCFL-H*4821)	40,000 [11.7]	27,750 [8.1]	12,250 [3.6]	12.50	15.00	77	1,175 [554]
	ROLA-070E04 (RCFL-H*4821)	40,500 [11.9]	29,400 [8.6]	11,100 [3.3]	12.50	15.00	77	1,375 [649]
	ROLA-115E05 (RCFL-H*4821)	40,000 [11.7]	27,850 [8.2]	12,150 [3.6]	13.00	15.50	77	1,200 [566]
	RCFL-H*4824 (RGFE-09?ZCM?)	40,000 [11.7]	27,950 [8.2]	12,050 [3.5]	12.50	15.10	77	1,200 [566]
	RCFL-H*4824 (RGFE-10?ZCM?)	40,000 [11.7]	28,100 [8.2]	11,900 [3.5]	12.50	15.10	77	1,225 [578]
	RCFL-H*4824 (RGFE-12?RCM?)	40,000 [11.7]	28,000 [8.2]	12,000 [3.5]	12.50	15.10	77	1,225 [578]
	RCFL-H*4824 (RGGD-09?ZCM?)	40,500 [11.9]	29,750 [8.7]	10,750 [3.1]	12.00	14.50	77	1,425 [672]
	RCFL-H*4824 (RGGD-10?ZCM?)	40,500 [11.9]	29,700 [8.7]	10,800 [3.2]	12.00	14.50	77	1,425 [672]
	RCFL-H*4824 (RGGE-09?ZCM?)	40,000 [11.7]	28,050 [8.2]	11,950 [3.5]	12.50	15.10	77	1,225 [578]
	RCFL-H*4824 (RGGE-10?ZCM?)	40,000 [11.7]	27,950 [8.2]	12,050 [3.5]	12.50	15.10	77	1,200 [566]
	RCFL-H*4824 (RGGE-12?RCM?)	40,000 [11.7]	27,850 [8.2]	12,150 [3.6]	13.00	15.50	77	1,200 [566]
	RCFL-H*4824 (RGJD-09?ZCM?)	40,500 [11.9]	29,700 [8.7]	10,800 [3.2]	12.00	14.50	77	1,425 [672]
	RCFL-H*4824 (RGJD-10?ZCM?)	40,500 [11.9]	29,700 [8.7]	10,800 [3.2]	12.00	14.50	77	1,425 [672]
	RCFL-H*4824 (RGJF-09?ZCM?)	40,000 [11.7]	28,050 [8.2]	11,950 [3.5]	12.50	15.10	77	1,225 [578]
	RCFL-H*4824 (RGJF-10?ZCM?)	40,000 [11.7]	27,900 [8.2]	12,100 [3.5]	12.50	15.10	77	1,200 [566]
	RCFL-H*4824 (RGLE-10?BRM?)	40,000 [11.7]	27,850 [8.2]	12,150 [3.6]	13.00	15.50	77	1,200 [566]
	RCFL-H*4824 (RGLE-12?ARM?)	40,000 [11.7]	28,000 [8.2]	12,000 [3.5]	13.00	15.50	77	1,225 [578]
	RCFL-H*4824 (RGLR-07?BRQ?)	41,000 [12.0]	30,150 [8.8]	10,850 [3.2]	12.50	15.10	77	1,425 [672]
	RCFL-H*4824 (RGLR-10?BRM?)	40,500 [11.9]	29,350 [8.6]	11,150 [3.3]	12.50	15.10	77	1,375 [649]
	RCFL-H*4824 (RGLT-07?BRQ?)	40,000 [11.7]	28,150 [8.2]	11,850 [3.5]	12.50	15.50	77	1,250 [590]
	RCFL-H*4824 (RGLT-10?BRM?)	40,500 [11.9]	28,650 [8.4]	11,850 [3.5]	12.50	15.50	77	1,250 [590]
	RCFL-H*4824 (RGLT-12?ARM?)	41,000 [12.0]	29,850 [8.7]	11,150 [3.3]	12.50	15.50	77	1,375 [649]
	RCFL-H*4824 (RGPE-07?BRQ?)	40,000 [11.7]	28,000 [8.2]	12,000 [3.5]	13.00	15.50	77	1,225 [578]
	RCFL-H*4824 (RGPE-10?BRM?)	40,000 [11.7]	28,000 [8.2]	12,000 [3.5]	13.00	15.50	77	1,225 [578]
	RCFL-H*4824 (RGPE-12?ARM?)	40,000 [11.7]	27,850 [8.2]	12,150 [3.6]	13.00	15.50	77	1,200 [566]
	RCFL-H*4824 (RGPR-07?BRQ?)	41,000 [12.0]	30,150 [8.8]	10,850 [3.2]	12.50	15.10	77	1,400 [661]
	RCFL-H*4824 (RGPR-10?BRM?)	40,500 [11.9]	29,700 [8.7]	10,800 [3.2]	12.00	15.00	77	1,425 [672]
	RCFL-H*4824 (RGPT-07?BRQ?)	40,000 [11.7]	28,000 [8.2]	12,000 [3.5]	13.00	15.50	77	1,225 [578]
	RCFL-H*4824 (RGPT-10?BRM?)	40,000 [11.7]	28,000 [8.2]	12,000 [3.5]	13.00	15.50	77	1,225 [578]
	RCFL-H*4824 (RGPT-12?ARM?)	41,000 [12.0]	29,850 [8.7]	11,150 [3.3]	13.00	15.50	77	1,375 [649]
RCFL-H*4824 (RGRM-10?ZAJ?)	39,500 [11.6]	27,200 [8.0]	12,300 [3.6]	12.00	15.00	77	1,150 [543]	
RCFL-H*4824 (RGRM-12?RAJ?)	40,000 [11.7]	28,050 [8.2]	11,950 [3.5]	12.00	15.00	77	1,225 [578]	
RCFL-H*4824 (RGTM-07?RBG?)	39,500 [11.6]	27,000 [7.9]	12,500 [3.7]	12.50	15.50	77	1,125 [531]	
RCFL-H*4824 (RGTM-09?ZAJ?)	40,000 [11.7]	28,200 [8.3]	11,800 [3.5]	12.50	15.10	77	1,250 [590]	
RCFL-H*4824 (RGTM-10?RBJ?)	39,500 [11.6]	26,950 [7.9]	12,550 [3.7]	13.00	15.50	77	1,125 [531]	
ROCA-070E03 (RCFL-H*4824)	40,000 [11.7]	27,950 [8.2]	12,050 [3.5]	12.50	15.00	77	1,200 [566]	
ROCA-070E04 (RCFL-H*4824)	40,000 [11.7]	27,950 [8.2]	12,050 [3.5]	12.50	15.00	77	1,200 [566]	
ROLA-070E03 (RCFL-H*4824)	40,000 [11.7]	27,750 [8.1]	12,250 [3.6]	12.50	15.00	77	1,175 [554]	
ROLA-070E04 (RCFL-H*4824)	40,500 [11.9]	29,400 [8.6]	11,100 [3.3]	12.50	15.00	77	1,375 [649]	
ROLA-115E05 (RCFL-H*4824)	40,500 [11.9]	29,700 [8.7]	10,800 [3.2]	12.50	15.00	77	1,400 [661]	
RCFL-H*4824+RXMD-C04	40,500 [11.9]	29,750 [8.7]	10,750 [3.1]	12.00	14.50	77	1,425 [672]	

① Highest sales volume tested combination required by D.O.E. test procedures.

[] Designates Metric Conversions

Performance Data @ AHRI Standard Conditions—Cooling (con't.)

Model Numbers		80°F [26.5°C] DB/67°F [19.5°C] WB Indoor Air 95°F [35°C] DB Outdoor Air					Sound Rating dB	Indoor CFM [L/s]
Outdoor Unit 14AJM	Indoor Coil and/or Air Handler	Total Capacity BTU/H [kW]	Net Sensible BTU/H [kW]	Net Latent BTU/H [kW]	EER	SEER		
Rev. 7/1/10	RCFN-H*4824	42,000 [12.3]	30,400 [8.9]	11,600 [3.4]	12.50	15.00	77	1,200 [566]
	RCFN-H*4824 (RGFD-09?ZCM?)	43,000 [12.6]	32,050 [9.4]	10,950 [3.2]	13.00	15.00	77	1,325 [625]
	RCFN-H*4824 (RGFD-10?ZCM?)	43,000 [12.6]	32,100 [9.4]	10,900 [3.2]	13.00	15.00	77	1,325 [625]
	RCFN-H*4824 (RGFD-12?RCM?)	42,500 [12.5]	30,800 [9.0]	11,700 [3.4]	13.00	15.50	77	1,225 [578]
	RCFN-H*4824 (RGFE-09?ZCM?)	42,000 [12.3]	31,050 [9.1]	10,950 [3.2]	13.00	15.50	77	1,200 [566]
	RCFN-H*4824 (RGFE-10?ZCM?)	42,000 [12.3]	31,250 [9.2]	10,750 [3.1]	12.50	15.00	77	1,225 [578]
	RCFN-H*4824 (RGFE-12?RCM?)	42,000 [12.3]	31,200 [9.1]	10,800 [3.2]	13.00	15.50	77	1,225 [578]
	RCFN-H*4824 (RGGD-12?RCM?)	42,500 [12.5]	30,750 [9.0]	11,750 [3.4]	13.00	16.00	77	1,225 [578]
	RCFN-H*4824 (RGGE-09?ZCM?)	42,000 [12.3]	31,200 [9.1]	10,800 [3.2]	13.00	15.50	77	1,225 [578]
	RCFN-H*4824 (RGGE-10?ZCM?)	42,000 [12.3]	31,050 [9.1]	10,950 [3.2]	13.00	15.50	77	1,200 [566]
	RCFN-H*4824 (RGGE-12?RCM?)	42,000 [12.3]	31,000 [9.1]	11,000 [3.2]	13.00	16.00	77	1,200 [566]
	RCFN-H*4824 (RGJD-12?RCM?)	42,500 [12.5]	30,750 [9.0]	11,750 [3.4]	13.00	16.00	77	1,225 [578]
	RCFN-H*4824 (RGJF-09?ZCM?)	42,000 [12.3]	31,200 [9.1]	10,800 [3.2]	13.00	15.50	77	1,225 [578]
	RCFN-H*4824 (RGJF-10?ZCM?)	42,000 [12.3]	31,050 [9.1]	10,950 [3.2]	13.00	15.50	77	1,200 [566]
	RCFN-H*4824 (RGJF-12?RCM?)	42,000 [12.3]	31,000 [9.1]	11,000 [3.2]	13.00	16.00	77	1,200 [566]
	RCFN-H*4824 (RGLE-07?BRQ?)	42,000 [12.3]	31,150 [9.1]	10,850 [3.2]	13.00	16.00	77	1,225 [578]
	RCFN-H*4824 (RGLE-10?BRM?)	42,000 [12.3]	31,000 [9.1]	11,000 [3.2]	13.00	16.00	77	1,200 [566]
	RCFN-H*4824 (RGLE-12?ARM?)	42,000 [12.3]	31,150 [9.1]	10,850 [3.2]	13.00	16.00	77	1,225 [578]
	RCFN-H*4824 (RGLR-07?BRQ?)	42,500 [12.5]	30,750 [9.0]	11,750 [3.4]	13.00	16.00	77	1,225 [578]
	42	RCFN-H*4824 (RGLR-10?BRM?)	43,500 [12.7]	32,800 [9.6]	10,700 [3.1]	13.00	15.50	77
RCFN-H*4824 (RGLR-12?ARM?)		42,500 [12.5]	30,750 [9.0]	11,750 [3.4]	13.00	16.00	77	1,225 [578]
RCFN-H*4824 (RGLT-07?BRQ?)		43,000 [12.6]	34,200 [10.0]	8,800 [2.6]	12.50	15.00	77	1,450 [684]
RCFN-H*4824 (RGLT-10?BRM?)		43,000 [12.6]	34,150 [10.0]	8,850 [2.6]	13.00	15.50	77	1,450 [684]
RCFN-H*4824 (RGLT-12?ARM?)		43,500 [12.7]	34,600 [10.1]	8,900 [2.6]	13.00	15.50	77	1,400 [661]
RCFN-H*4824 (RGPE-07?BRQ?)		42,000 [12.3]	31,150 [9.1]	10,850 [3.2]	13.00	16.00	77	1,225 [578]
RCFN-H*4824 (RGPE-10?BRM?)		42,000 [12.3]	31,150 [9.1]	10,850 [3.2]	13.00	16.00	77	1,225 [578]
RCFN-H*4824 (RGPE-12?ARM?)		42,000 [12.3]	31,000 [9.1]	11,000 [3.2]	13.00	16.00	77	1,200 [566]
RCFN-H*4824 (RGPR-07?BRQ?)		42,500 [12.5]	30,750 [9.0]	11,750 [3.4]	13.00	16.00	77	1,225 [578]
RCFN-H*4824 (RGPR-10?BRM?)		42,500 [12.5]	30,800 [9.0]	11,700 [3.4]	13.00	15.50	77	1,225 [578]
RCFN-H*4824 (RGPR-12?ARM?)		43,000 [12.6]	31,550 [9.2]	11,450 [3.4]	13.00	16.00	77	1,250 [590]
RCFN-H*4824 (RGPT-07?BRQ?)		43,000 [12.6]	34,150 [10.0]	8,850 [2.6]	13.00	15.50	77	1,450 [684]
RCFN-H*4824 (RGPT-10?BRM?)		43,000 [12.6]	34,150 [10.0]	8,850 [2.6]	13.00	15.50	77	1,450 [684]
RCFN-H*4824 (RGPT-12?ARM?)		43,000 [12.6]	33,800 [9.9]	9,200 [2.7]	13.00	15.50	77	1,375 [649]
RCFN-H*4824 (RGRM-09?ZAJ?)		42,500 [12.5]	30,850 [9.0]	11,650 [3.4]	13.00	15.00	77	1,225 [578]
RCFN-H*4824 (RGRM-12?RAJ?)		42,500 [12.5]	30,800 [9.0]	11,700 [3.4]	13.00	15.50	77	1,225 [578]
ROCA-070E03 (RCFN-H*4824)		42,000 [12.3]	31,850 [9.3]	10,150 [3.0]	12.50	15.00	77	1,200 [566]
ROCA-070E04 (RCFN-H*4824)		42,000 [12.3]	31,850 [9.3]	10,150 [3.0]	12.50	15.00	77	1,200 [566]
ROLA-070E04 (RCFN-H*4824)		43,000 [12.6]	33,900 [9.9]	9,100 [2.7]	12.50	15.00	77	1,375 [649]
ROLA-115E05 (RCFN-H*4824)		43,000 [12.6]	34,200 [10.0]	8,800 [2.6]	12.50	15.00	77	1,400 [661]
RBHP-24 (RCHL-48A1)	40,000 [11.7]	28,200 [8.3]	11,800 [3.5]	13.00	15.50	77	1,400 [661]	
RCQD-4821 (RGPT-05?BMK?)	40,500 [11.9]	31,150 [9.1]	9,350 [2.7]	12.00	14.00	77	1,250 [590]	
RCQD-4821 (RGPT-07?AME?)	41,000 [12.0]	31,650 [9.3]	9,350 [2.7]	12.00	14.50	77	1,250 [590]	
RCQD-4821 (RGPT-07?BRQ?)	41,000 [12.0]	31,550 [9.2]	9,450 [2.8]	13.00	15.50	77	1,250 [590]	
RCQD-4821 (RGPT-10?BRM?)	41,500 [12.2]	32,050 [9.4]	9,450 [2.8]	13.00	15.50	77	1,250 [590]	
ROCA-070E03 (RCQD-4821)	40,500 [11.9]	30,800 [9.0]	9,700 [2.8]	12.00	14.50	77	1,200 [566]	
ROCA-070E04 (RCQD-4821)	40,500 [11.9]	30,800 [9.0]	9,700 [2.8]	12.00	14.50	77	1,200 [566]	
ROLA-070E03 (RCQD-4821)	41,000 [12.0]	31,150 [9.1]	9,850 [2.9]	12.50	15.00	77	1,175 [554]	
ROLA-070E04 (RCQD-4821)	41,500 [12.2]	32,850 [9.6]	8,650 [2.5]	12.00	14.50	77	1,375 [649]	
RCQD-4824 (RGPT-07?BRQ?)	40,500 [11.9]	31,650 [9.3]	8,850 [2.6]	11.50	13.50	77	1,325 [625]	
RCQD-4824 (RGPT-10?BRM?)	40,000 [11.7]	30,850 [9.0]	9,150 [2.7]	11.50	13.50	77	1,275 [602]	
RCQD-4824 (RGPT-12?ARM?)	40,000 [11.7]	30,550 [9.0]	9,450 [2.8]	11.50	14.00	77	1,225 [578]	
ROCA-070E03 (RCQD-4824)	39,500 [11.6]	30,000 [8.8]	9,500 [2.8]	11.00	13.00	77	1,200 [566]	
ROCA-070E04 (RCQD-4824)	39,500 [11.6]	30,000 [8.8]	9,500 [2.8]	11.00	13.00	77	1,200 [566]	

① Highest sales volume tested combination required by D.O.E. test procedures.

[] Designates Metric Conversions

Performance Data @ AHRI Standard Conditions—Cooling (con't.)

Model Numbers		80°F [26.5°C] DB/67°F [19.5°C] WB Indoor Air 95°F [35°C] DB Outdoor Air					Sound Rating dB	Indoor CFM [L/s]
Outdoor Unit 14AJM	Indoor Coil and/or Air Handler	Total Capacity BTU/H [kW]	Net Sensible BTU/H [kW]	Net Latent BTU/H [kW]	EER	SEER		
Rev. 7/1/10 42	ROLA-070E03 (RCQD-4824)	39,500 [11.6]	29,800 [8.7]	9,700 [2.8]	11.50	13.50	77	1,175 [554]
	ROLA-070E04 (RCQD-4824)	39,500 [11.6]	29,800 [8.7]	9,700 [2.8]	11.50	13.50	77	1,175 [554]
	ROLA-115E05 (RCQD-4824)	40,000 [11.7]	30,450 [8.9]	9,550 [2.8]	11.50	13.50	77	1,200 [566]
	RHKL-HM3821 (RCSL-H*3821)	40,000 [11.7]	28,550 [8.4]	11,450 [3.4]	13.00	15.50	77	1,200 [566]
	RHLL-HM3821 (RCSL-H*3821)	40,000 [11.7]	28,350 [8.3]	11,650 [3.4]	13.00	16.00	77	1,225 [578]
	RHKL-HM4821 (RCSL-H*4821)	41,000 [12.0]	30,100 [8.8]	10,900 [3.2]	13.00	15.50	77	1,400 [661]
	RHLL-HM4821 (RCSL-H*4821)	41,000 [12.0]	30,100 [8.8]	10,900 [3.2]	13.00	15.50	77	1,400 [661]
	RHSL-HM4221 (RCSL-H*4821)	40,000 [11.7]	28,900 [8.5]	11,100 [3.3]	12.00	14.50	77	1,350 [637]
RHPN-HM3624 (RCSN-H*3624)	43,000 [12.6]	31,200 [9.1]	11,800 [3.5]	13.00	16.00	77	1,200 [566]	
48	RCFL-H*4821+RXMD-C04 ①	48,500 [14.2]	34,350 [10.1]	14,150 [4.1]	12.00	14.50	77	1,600 [755]
	RCFL-A*4821 (RGFE-09?ZCM?)	48,000 [14.1]	32,450 [9.5]	15,550 [4.6]	12.00	14.50	77	1,400 [661]
	RCFL-A*4821 (RGGD-09?ZCM?)	48,000 [14.1]	32,600 [9.6]	15,400 [4.5]	12.00	14.50	77	1,425 [672]
	RCFL-A*4821 (RGGD-10?ZCM?)	48,000 [14.1]	32,600 [9.6]	15,400 [4.5]	12.00	14.50	77	1,425 [672]
	RCFL-A*4821 (RGGE-09?ZCM?)	48,000 [14.1]	32,450 [9.5]	15,550 [4.6]	12.50	14.50	77	1,400 [661]
	RCFL-A*4821 (RGGE-10?ZCM?)	48,000 [14.1]	32,450 [9.5]	15,550 [4.6]	12.00	14.50	77	1,400 [661]
	RCFL-A*4821 (RGLE-10?BRM?)	48,500 [14.2]	32,800 [9.6]	15,700 [4.6]	13.00	15.10	77	1,400 [661]
	RCFL-A*4821 (RGLR-07?BRQ?)	48,500 [14.2]	33,000 [9.7]	15,500 [4.5]	12.50	15.00	77	1,425 [672]
	RCFL-A*4821 (RGLR-10?BRM?)	48,000 [14.1]	32,150 [9.4]	15,850 [4.6]	12.50	15.10	77	1,375 [649]
	RCFL-A*4821 (RGLT-07?BRQ?)	48,000 [14.1]	32,500 [9.5]	15,500 [4.5]	12.00	14.50	77	1,425 [672]
	RCFL-A*4821 (RGLT-10?BRM?)	48,000 [14.1]	32,350 [9.5]	15,650 [4.6]	12.00	14.50	77	1,400 [661]
	RCFL-A*4821 (RGPE-07?BRQ?)	48,000 [14.1]	32,350 [9.5]	15,650 [4.6]	12.50	15.00	77	1,400 [661]
	RCFL-A*4821 (RGPE-10?BRM?)	48,000 [14.1]	32,350 [9.5]	15,650 [4.6]	12.50	15.00	77	1,400 [661]
	RCFL-A*4821 (RGPR-07?BRQ?)	48,000 [14.1]	32,350 [9.5]	15,650 [4.6]	12.50	15.10	77	1,400 [661]
	RCFL-A*4821 (RGPR-10?BRM?)	48,000 [14.1]	32,550 [9.5]	15,450 [4.5]	12.00	14.50	77	1,425 [672]
	RCFL-A*4821 (RGPT-07?BRQ?)	48,500 [14.2]	33,000 [9.7]	15,500 [4.5]	12.00	14.50	77	1,425 [672]
	RCFL-A*4821 (RGPT-10?BRM?)	48,500 [14.2]	33,000 [9.7]	15,500 [4.5]	12.00	14.50	77	1,425 [672]
	RCFL-A*4821 (RGTM-07?RBG?)	48,000 [14.1]	32,900 [9.6]	15,100 [4.4]	12.00	14.50	77	1,475 [696]
	RCFL-A*4821 (RGTM-09?ZAJ?)	48,000 [14.1]	32,450 [9.5]	15,550 [4.6]	12.00	14.50	77	1,400 [661]
	ROCA-070E04 (RCFL-A*4821)	47,500 [13.9]	32,000 [9.4]	15,500 [4.5]	11.50	14.00	77	1,400 [661]
	ROLA-070E04 (RCFL-A*4821)	48,000 [14.1]	32,200 [9.4]	15,800 [4.6]	12.00	14.50	77	1,375 [649]
	RCFL-A*4821+RXMD-C04	48,500 [14.2]	34,350 [10.1]	14,150 [4.1]	12.00	14.50	77	1,600 [755]
	RCFL-A*4824 (RGFE-12?RCM?)	48,000 [14.1]	32,750 [9.6]	15,250 [4.5]	12.00	14.50	77	1,450 [684]
	RCFL-A*4824 (RGGD-09?ZCM?)	48,000 [14.1]	32,600 [9.6]	15,400 [4.5]	12.00	14.50	77	1,425 [672]
	RCFL-A*4824 (RGGD-10?ZCM?)	48,000 [14.1]	32,600 [9.6]	15,400 [4.5]	12.00	14.50	77	1,425 [672]
	RCFL-A*4824 (RGGE-09?ZCM?)	48,000 [14.1]	32,450 [9.5]	15,550 [4.6]	12.00	14.50	77	1,400 [661]
	RCFL-A*4824 (RGGE-10?ZCM?)	48,000 [14.1]	32,450 [9.5]	15,550 [4.6]	12.00	14.50	77	1,400 [661]
	RCFL-A*4824 (RGGE-12?RCM?)	48,000 [14.1]	32,200 [9.4]	15,800 [4.6]	12.50	15.00	77	1,375 [649]
	RCFL-A*4824 (RGLE-10?BRM?)	48,500 [14.2]	33,500 [9.8]	15,000 [4.4]	12.85	15.10	77	1,500 [708]
	RCFL-A*4824 (RGLE-12?ARM?)	48,500 [14.2]	33,700 [9.9]	14,800 [4.3]	12.85	15.10	77	1,525 [720]
	RCFL-A*4824 (RGLR-07?BRQ?)	48,500 [14.2]	33,000 [9.7]	15,500 [4.5]	12.50	15.00	77	1,425 [672]
	RCFL-A*4824 (RGLR-10?BRM?)	48,000 [14.1]	32,150 [9.4]	15,850 [4.6]	12.50	15.10	77	1,375 [649]
	RCFL-A*4824 (RGLT-07?BRQ?)	48,000 [14.1]	32,500 [9.5]	15,500 [4.5]	12.00	14.50	77	1,425 [672]
	RCFL-A*4824 (RGLT-10?BRM?)	48,000 [14.1]	32,350 [9.5]	15,650 [4.6]	12.00	14.50	77	1,400 [661]
	RCFL-A*4824 (RGPE-07?BRQ?)	48,000 [14.1]	32,350 [9.5]	15,650 [4.6]	12.80	15.00	77	1,400 [661]
	RCFL-A*4824 (RGPE-10?BRM?)	48,000 [14.1]	32,350 [9.5]	15,650 [4.6]	12.80	15.00	77	1,400 [661]
	RCFL-A*4824 (RGPE-12?ARM?)	48,500 [14.2]	33,000 [9.7]	15,500 [4.5]	12.95	15.10	77	1,425 [672]
	RCFL-A*4824 (RGPR-07?BRQ?)	48,000 [14.1]	32,350 [9.5]	15,650 [4.6]	12.50	15.10	77	1,400 [661]
	RCFL-A*4824 (RGPR-10?BRM?)	48,000 [14.1]	32,550 [9.5]	15,450 [4.5]	12.00	14.50	77	1,425 [672]
	RCFL-A*4824 (RGPT-07?BRQ?)	48,500 [14.2]	33,000 [9.7]	15,500 [4.5]	12.00	14.50	77	1,425 [672]
RCFL-A*4824 (RGPT-10?BRM?)	48,000 [14.1]	32,350 [9.5]	15,650 [4.6]	12.00	14.50	77	1,400 [661]	
RCFL-A*4824 (RGTM-07?RBG?)	48,000 [14.1]	32,900 [9.6]	15,100 [4.4]	12.00	14.50	77	1,475 [696]	
RCFL-A*4824 (RGTM-09?ZAJ?)	48,000 [14.1]	32,450 [9.5]	15,550 [4.6]	12.00	14.50	77	1,400 [661]	
RCFL-A*4824 (RGTM-10?RBQ?)	48,000 [14.1]	32,550 [9.5]	15,450 [4.5]	12.00	14.50	77	1,425 [672]	

① Highest sales volume tested combination required by D.O.E. test procedures.

[] Designates Metric Conversions

Performance Data @ AHRI Standard Conditions—Cooling (con't.)

Model Numbers		80°F [26.5°C] DB/67°F [19.5°C] WB Indoor Air 95°F [35°C] DB Outdoor Air					Sound Rating dB	Indoor CFM [L/s]
Outdoor Unit 14AJM	Indoor Coil and/or Air Handler	Total Capacity BTU/H [kW]	Net Sensible BTU/H [kW]	Net Latent BTU/H [kW]	EER	SEER		
Rev. 7/1/10	ROLA-070E04 (RCFL-A*4824)	48,000 [14.1]	32,200 [9.4]	15,800 [4.6]	12.00	14.50	77	1,375 [649]
	ROLA-115E05 (RCFL-A*4824)	48,500 [14.2]	34,300 [10.0]	14,200 [4.2]	11.50	14.00	77	1,600 [755]
	RCFL-A*4824+RXMD-C04	48,500 [14.2]	34,350 [10.1]	14,150 [4.1]	12.00	14.50	77	1,600 [755]
	RCFL-H*4821 (RGFE-09?ZCM?)	48,000 [14.1]	32,450 [9.5]	15,550 [4.6]	12.00	14.50	77	1,400 [661]
	RCFL-H*4821 (RGGD-09?ZCM?)	48,000 [14.1]	32,600 [9.6]	15,400 [4.5]	12.00	14.50	77	1,425 [672]
	RCFL-H*4821 (RGGD-10?ZCM?)	48,000 [14.1]	32,600 [9.6]	15,400 [4.5]	12.00	14.50	77	1,425 [672]
	RCFL-H*4821 (RGGE-09?ZCM?)	48,000 [14.1]	32,450 [9.5]	15,550 [4.6]	12.50	14.50	77	1,400 [661]
	RCFL-H*4821 (RGGE-10?ZCM?)	48,000 [14.1]	32,450 [9.5]	15,550 [4.6]	12.00	14.50	77	1,400 [661]
	RCFL-H*4821 (RGJD-09?ZCM?)	48,000 [14.1]	32,600 [9.6]	15,400 [4.5]	12.00	14.50	77	1,425 [672]
	RCFL-H*4821 (RGJD-10?ZCM?)	48,000 [14.1]	32,600 [9.6]	15,400 [4.5]	12.00	14.50	77	1,425 [672]
	RCFL-H*4821 (RGJF-09?ZCM?)	48,000 [14.1]	32,400 [9.5]	15,600 [4.6]	12.50	14.50	77	1,400 [661]
	RCFL-H*4821 (RGJF-10?ZCM?)	48,000 [14.1]	32,450 [9.5]	15,550 [4.6]	12.00	14.50	77	1,400 [661]
	RCFL-H*4821 (RGLE-10?BRM?)	48,500 [14.2]	32,800 [9.6]	15,700 [4.6]	13.00	15.10	77	1,400 [661]
	RCFL-H*4821 (RGLR-07?BRQ?)	48,500 [14.2]	33,000 [9.7]	15,500 [4.5]	12.50	15.00	77	1,425 [672]
	RCFL-H*4821 (RGLR-10?BRM?)	48,000 [14.1]	32,150 [9.4]	15,850 [4.6]	12.50	15.10	77	1,375 [649]
	RCFL-H*4821 (RGLT-07?BRQ?)	48,000 [14.1]	32,500 [9.5]	15,500 [4.5]	12.00	14.50	77	1,425 [672]
	RCFL-H*4821 (RGLT-10?BRM?)	48,000 [14.1]	32,350 [9.5]	15,650 [4.6]	12.00	14.50	77	1,400 [661]
	RCFL-H*4821 (RGPE-07?BRQ?)	48,000 [14.1]	32,350 [9.5]	15,650 [4.6]	12.50	15.00	77	1,400 [661]
	RCFL-H*4821 (RGPE-10?BRM?)	48,000 [14.1]	32,350 [9.5]	15,650 [4.6]	12.50	15.00	77	1,400 [661]
	RCFL-H*4821 (RGPR-07?BRQ?)	48,000 [14.1]	32,350 [9.5]	15,650 [4.6]	12.50	15.10	77	1,400 [661]
RCFL-H*4821 (RGPR-10?BRM?)	48,000 [14.1]	32,550 [9.5]	15,450 [4.5]	12.00	14.50	77	1,425 [672]	
RCFL-H*4821 (RGPT-07?BRQ?)	48,500 [14.2]	33,000 [9.7]	15,500 [4.5]	12.00	14.50	77	1,425 [672]	
RCFL-H*4821 (RGPT-10?BRM?)	48,500 [14.2]	33,000 [9.7]	15,500 [4.5]	12.00	14.50	77	1,425 [672]	
RCFL-H*4821 (RGTM-07?RBG?)	48,000 [14.1]	32,900 [9.6]	15,100 [4.4]	12.00	14.50	77	1,475 [696]	
RCFL-H*4821 (RGTM-09?ZAJ?)	48,000 [14.1]	32,450 [9.5]	15,550 [4.6]	12.00	14.50	77	1,400 [661]	
48	ROCA-070E04 (RCFL-H*4821)	47,500 [13.9]	32,000 [9.4]	15,500 [4.5]	11.50	14.00	77	1,400 [661]
	ROLA-070E04 (RCFL-H*4821)	48,000 [14.1]	32,200 [9.4]	15,800 [4.6]	12.00	14.50	77	1,375 [649]
	RCFL-H*4824 (RGFE-12?RCM?)	48,000 [14.1]	32,750 [9.6]	15,250 [4.5]	12.00	14.50	77	1,450 [684]
	RCFL-H*4824 (RGGD-09?ZCM?)	48,000 [14.1]	32,600 [9.6]	15,400 [4.5]	12.00	14.50	77	1,425 [672]
	RCFL-H*4824 (RGGD-10?ZCM?)	48,000 [14.1]	32,600 [9.6]	15,400 [4.5]	12.00	14.50	77	1,425 [672]
	RCFL-H*4824 (RGGE-09?ZCM?)	48,000 [14.1]	32,450 [9.5]	15,550 [4.6]	12.00	14.50	77	1,400 [661]
	RCFL-H*4824 (RGGE-10?ZCM?)	48,000 [14.1]	32,450 [9.5]	15,550 [4.6]	12.00	14.50	77	1,400 [661]
	RCFL-H*4824 (RGGE-12?RCM?)	48,000 [14.1]	32,200 [9.4]	15,800 [4.6]	12.50	15.00	77	1,375 [649]
	RCFL-H*4824 (RGJD-09?ZCM?)	48,000 [14.1]	32,600 [9.6]	15,400 [4.5]	12.00	14.50	77	1,425 [672]
	RCFL-H*4824 (RGJD-10?ZCM?)	48,000 [14.1]	32,600 [9.6]	15,400 [4.5]	12.00	14.50	77	1,425 [672]
	RCFL-H*4824 (RGJF-09?ZCM?)	48,000 [14.1]	32,400 [9.5]	15,600 [4.6]	12.00	14.50	77	1,400 [661]
	RCFL-H*4824 (RGJF-10?ZCM?)	48,000 [14.1]	32,450 [9.5]	15,550 [4.6]	12.00	14.50	77	1,400 [661]
	RCFL-H*4824 (RGJF-12?RCM?)	48,000 [14.1]	32,200 [9.4]	15,800 [4.6]	12.50	15.00	77	1,375 [649]
	RCFL-H*4824 (RGLE-10?BRM?)	48,500 [14.2]	32,800 [9.6]	15,700 [4.6]	13.00	15.10	77	1,400 [661]
	RCFL-H*4824 (RGLE-12?ARM?)	48,500 [14.2]	32,950 [9.7]	15,550 [4.6]	13.00	15.10	77	1,425 [672]
	RCFL-H*4824 (RGLR-07?BRQ?)	48,500 [14.2]	33,000 [9.7]	15,500 [4.5]	12.50	15.00	77	1,425 [672]
	RCFL-H*4824 (RGLR-10?BRM?)	48,000 [14.1]	32,150 [9.4]	15,850 [4.6]	12.50	15.10	77	1,375 [649]
	RCFL-H*4824 (RGLT-07?BRQ?)	48,000 [14.1]	32,500 [9.5]	15,500 [4.5]	12.00	14.50	77	1,425 [672]
	RCFL-H*4824 (RGLT-10?BRM?)	48,000 [14.1]	32,350 [9.5]	15,650 [4.6]	12.00	14.50	77	1,400 [661]
	RCFL-H*4824 (RGPE-07?BRQ?)	48,000 [14.1]	32,350 [9.5]	15,650 [4.6]	12.80	15.00	77	1,400 [661]
	RCFL-H*4824 (RGPE-10?BRM?)	48,000 [14.1]	32,350 [9.5]	15,650 [4.6]	12.80	15.00	77	1,400 [661]
	RCFL-H*4824 (RGPE-12?ARM?)	48,500 [14.2]	33,000 [9.7]	15,500 [4.5]	12.95	15.10	77	1,425 [672]
	RCFL-H*4824 (RGPR-07?BRQ?)	48,000 [14.1]	32,350 [9.5]	15,650 [4.6]	12.50	15.10	77	1,400 [661]
	RCFL-H*4824 (RGPR-10?BRM?)	48,000 [14.1]	32,550 [9.5]	15,450 [4.5]	12.00	14.50	77	1,425 [672]
	RCFL-H*4824 (RGPT-07?BRQ?)	48,500 [14.2]	33,000 [9.7]	15,500 [4.5]	12.00	14.50	77	1,425 [672]
	RCFL-H*4824 (RGPT-10?BRM?)	48,000 [14.1]	32,350 [9.5]	15,650 [4.6]	12.00	14.50	77	1,400 [661]
	RCFL-H*4824 (RGRM-12?RAJ?)	48,000 [14.1]	32,600 [9.6]	15,400 [4.5]	12.00	14.50	77	1,425 [672]
	RCFL-H*4824 (RGTM-07?RBG?)	48,000 [14.1]	32,900 [9.6]	15,100 [4.4]	12.00	14.50	77	1,475 [696]

① Highest sales volume tested combination required by D.O.E. test procedures.

[] Designates Metric Conversions

Performance Data @ AHRI Standard Conditions—Cooling (con't.)

Model Numbers		80°F [26.5°C] DB/67°F [19.5°C] WB Indoor Air 95°F [35°C] DB Outdoor Air					Sound Rating dB	Indoor CFM [L/s]
Outdoor Unit 14AJM	Indoor Coil and/or Air Handler	Total Capacity BTU/H [kW]	Net Sensible BTU/H [kW]	Net Latent BTU/H [kW]	EER	SEER		
Rev. 7/1/10	RCFL-H*4824 (RGTM-09?ZAJ?)	48,000 [14.1]	32,450 [9.5]	15,550 [4.6]	12.00	14.50	77	1,400 [661]
	RCFL-H*4824 (RGTM-10?RBJ?)	48,000 [14.1]	32,550 [9.5]	15,450 [4.5]	12.00	14.50	77	1,425 [672]
	ROLA-070E04 (RCFL-H*4824)	48,000 [14.1]	32,200 [9.4]	15,800 [4.6]	12.00	14.50	77	1,375 [649]
	ROLA-115E05 (RCFL-H*4824)	48,500 [14.2]	34,300 [10.0]	14,200 [4.2]	11.50	14.00	77	1,600 [755]
	RCFL-H*4824+RXMD-C04	48,500 [14.2]	34,350 [10.1]	14,150 [4.1]	12.00	14.50	77	1,600 [755]
	RCFN-H*4824	52,000 [15.2]	38,200 [11.2]	13,800 [4.0]	12.50	15.00	77	1,600 [755]
	RCFN-H*4824 (RGFD-12?RCM?)	51,000 [14.9]	36,350 [10.7]	14,650 [4.3]	13.00	15.50	77	1,475 [696]
	RCFN-H*4824 (RGGD-12?RCM?)	51,000 [14.9]	36,100 [10.6]	14,900 [4.4]	13.00	15.50	77	1,450 [684]
	RCFN-H*4824 (RGGE-12?RCM?)	52,000 [15.2]	38,150 [11.2]	13,850 [4.1]	12.50	15.10	77	1,575 [743]
	RCFN-H*4824 (RGJD-12?RCM?)	51,000 [14.9]	36,100 [10.6]	14,900 [4.4]	13.00	15.50	77	1,450 [684]
	RCFN-H*4824 (RGJF-12?RCM?)	52,000 [15.2]	38,150 [11.2]	13,850 [4.1]	12.50	15.10	77	1,575 [743]
	RCFN-H*4824 (RGLD-10?BRM?)	52,500 [15.4]	38,800 [11.4]	13,700 [4.0]	13.00	15.50	77	1,600 [755]
	RCFN-H*4824 (RGLD-12?ARM?)	52,000 [15.2]	37,750 [11.1]	14,250 [4.2]	13.00	16.00	77	1,525 [720]
	RCFN-H*4824 (RGLR-10?BRM?)	52,000 [15.2]	38,150 [11.2]	13,850 [4.1]	13.00	15.50	77	1,575 [743]
	RCFN-H*4824 (RGLR-12?ARM?)	52,000 [15.2]	38,250 [11.2]	13,750 [4.0]	13.00	15.50	77	1,600 [755]
	RCFN-H*4824 (RGPE-10?BRM?)	52,000 [15.2]	37,950 [11.1]	14,050 [4.1]	13.00	15.50	77	1,550 [731]
	RCFN-H*4824 (RGPE-12?ARM?)	52,000 [15.2]	37,750 [11.1]	14,250 [4.2]	13.00	15.50	77	1,525 [720]
	RCFN-H*4824 (RGPR-07?BRQ?)	52,000 [15.2]	38,250 [11.2]	13,750 [4.0]	13.00	15.50	77	1,625 [767]
	RCFN-H*4824 (RGPR-10?BRM?)	51,500 [15.1]	37,200 [10.9]	14,300 [4.2]	13.00	15.50	77	1,525 [720]
	RCFN-H*4824 (RGPR-12?ARM?)	52,000 [15.2]	38,250 [11.2]	13,750 [4.0]	13.00	15.50	77	1,575 [743]
RCFN-H*4824 (RGPT-07?BRQ?)	52,500 [15.4]	38,400 [11.3]	14,100 [4.1]	13.00	16.00	77	1,550 [731]	
RBHP-24 (RCHL-48A1)	47,000 [13.8]	32,150 [9.4]	14,850 [4.4]	12.00	14.00	77	1,600 [755]	
RCQD-4821	48,500 [14.2]	34,550 [10.1]	13,950 [4.1]	11.50	14.00	77	1,600 [755]	
RCQD-4821 (RGJD-09?ZCM?)	47,500 [13.9]	32,500 [9.5]	15,000 [4.4]	11.50	14.00	77	1,425 [672]	
RCQD-4821 (RGJD-10?ZCM?)	47,500 [13.9]	32,450 [9.5]	15,050 [4.4]	11.50	14.00	77	1,425 [672]	
RCQD-4821 (RGJF-09?ZCM?)	47,500 [13.9]	32,300 [9.5]	15,200 [4.5]	11.50	14.00	77	1,400 [661]	
RCQD-4821 (RGPE-07?BRQ?)	47,500 [13.9]	32,250 [9.4]	15,250 [4.5]	12.00	14.50	77	1,400 [661]	
RCQD-4821 (RGPE-10?BRM?)	47,500 [13.9]	32,250 [9.4]	15,250 [4.5]	12.00	14.50	77	1,400 [661]	
RCQD-4821 (RGPR-07?BRQ?)	48,000 [14.1]	32,750 [9.6]	15,250 [4.5]	12.00	14.50	77	1,400 [661]	
RCQD-4821 (RGPR-10?BRM?)	47,500 [13.9]	32,450 [9.5]	15,050 [4.4]	11.50	14.00	77	1,425 [672]	
RCQD-4821 (RGPT-07?BRQ?)	50,500 [14.8]	34,250 [10.0]	16,250 [4.8]	12.50	15.00	77	1,425 [672]	
RCQD-4821 (RGPT-10?BRM?)	50,500 [14.8]	34,200 [10.0]	16,300 [4.8]	12.50	15.00	77	1,425 [672]	
ROLA-070E04 (RCQD-4821)	50,500 [14.8]	35,650 [10.4]	14,850 [4.4]	11.50	14.00	77	1,600 [755]	
RCQD-4824	48,500 [14.2]	34,550 [10.1]	13,950 [4.1]	11.50	14.00	77	1,600 [755]	
RCQD-4824 (RGFD-12?RCM?)	48,000 [14.1]	33,300 [9.8]	14,700 [4.3]	11.50	14.00	77	1,475 [696]	
RCQD-4824 (RGEF-09?ZCM?)	47,500 [13.9]	32,350 [9.5]	15,150 [4.4]	11.50	14.00	77	1,400 [661]	
RCQD-4824 (RGEF-12?RCM?)	48,000 [14.1]	33,100 [9.7]	14,900 [4.4]	12.00	14.50	77	1,450 [684]	
RCQD-4824 (RGJD-09?ZCM?)	47,500 [13.9]	32,450 [9.5]	15,050 [4.4]	11.50	14.00	77	1,425 [672]	
RCQD-4824 (RGJD-10?ZCM?)	47,500 [13.9]	32,450 [9.5]	15,050 [4.4]	11.50	14.00	77	1,425 [672]	
RCQD-4824 (RGJD-12?RCM?)	48,000 [14.1]	33,050 [9.7]	14,950 [4.4]	12.00	14.50	77	1,450 [684]	
RCQD-4824 (RGJF-09?ZCM?)	47,500 [13.9]	32,300 [9.5]	15,200 [4.5]	11.50	14.00	77	1,400 [661]	
RCQD-4824 (RGJF-10?ZCM?)	47,500 [13.9]	32,300 [9.5]	15,200 [4.5]	11.50	14.00	77	1,400 [661]	
RCQD-4824 (RGJF-12?RCM?)	47,500 [13.9]	32,050 [9.4]	15,450 [4.5]	12.00	14.50	77	1,375 [649]	
RCQD-4824 (RGPE-07?BRQ?)	48,000 [14.1]	32,700 [9.6]	15,300 [4.5]	12.00	14.50	77	1,400 [661]	
RCQD-4824 (RGPE-10?BRM?)	48,000 [14.1]	32,700 [9.6]	15,300 [4.5]	12.00	14.50	77	1,400 [661]	
RCQD-4824 (RGPE-12?ARM?)	48,000 [14.1]	32,850 [9.6]	15,150 [4.4]	12.00	14.50	77	1,425 [672]	
RCQD-4824 (RGPR-07?BRQ?)	48,000 [14.1]	32,700 [9.6]	15,300 [4.5]	12.00	14.50	77	1,400 [661]	
RCQD-4824 (RGPR-10?BRM?)	48,000 [14.1]	32,900 [9.6]	15,100 [4.4]	12.00	14.50	77	1,425 [672]	
RCQD-4824 (RGPR-12?ARM?)	48,000 [14.1]	32,700 [9.6]	15,300 [4.5]	12.00	14.50	77	1,400 [661]	
RCQD-4824 (RGPT-07?BRQ?)	48,000 [14.1]	33,200 [9.7]	14,800 [4.3]	12.00	14.50	77	1,475 [696]	
RCQD-4824 (RGPT-10?BRM?)	48,000 [14.1]	33,050 [9.7]	14,950 [4.4]	12.00	14.50	77	1,450 [684]	
RCQD-4824 (RGPT-12?ARM?)	48,000 [14.1]	32,650 [9.6]	15,350 [4.5]	12.50	15.00	77	1,400 [661]	
RCQD-4824 (RGRM-12?RAJ?)	47,500 [13.9]	32,450 [9.5]	15,050 [4.4]	11.50	14.00	77	1,425 [672]	

① Highest sales volume tested combination required by D.O.E. test procedures.

[] Designates Metric Conversions

Performance Data @ AHRI Standard Conditions—Cooling (con't.)

Model Numbers		80°F [26.5°C] DB/67°F [19.5°C] WB Indoor Air 95°F [35°C] DB Outdoor Air					Sound Rating dB	Indoor CFM [L/s]
Outdoor Unit 14AJM	Indoor Coil and/or Air Handler	Total Capacity BTU/H [kW]	Net Sensible BTU/H [kW]	Net Latent BTU/H [kW]	EER	SEER		
Rev. 7/1/10 48	ROLA-070E04 (RCQD-4824)	47,500 [13.9]	32,100 [9.4]	15,400 [4.5]	12.00	14.50	77	1,375 [649]
	ROLA-115E05 (RCQD-4824)	48,000 [14.1]	33,450 [9.8]	14,550 [4.3]	11.50	14.00	77	1,500 [708]
	RHKL-HM4821 (RCSL-H*4821)	49,000 [14.4]	34,650 [10.2]	14,350 [4.2]	12.50	15.00	77	1,575 [743]
	RHLL-HM4821 (RCSL-H*4821)	49,000 [14.4]	34,650 [10.2]	14,350 [4.2]	13.00	15.00	77	1,600 [755]
	RHSL-HM4821 (RCSL-H*4821)	48,500 [14.2]	33,800 [9.9]	14,700 [4.3]	12.00	14.50	77	1,525 [720]
	RHSL-HM4824 (RCSL-H*4821)	48,000 [14.1]	33,150 [9.7]	14,850 [4.4]	12.00	14.50	77	1,500 [708]
	RHLL-HM4824 (RCSL-H*4824)	49,500 [14.5]	35,050 [10.3]	14,450 [4.2]	13.00	15.50	77	1,625 [767]
RHPN-HM4824 (RCSN-H*4824)	52,500 [15.4]	38,600 [11.3]	13,900 [4.1]	13.00	16.00	77	1,600 [755]	
49	RCFL-H*4821 ①	46,500 [13.6]	33,200 [9.7]	13,300 [3.9]	12.00	14.50	77	1,600 [755]
	RCFL-A*4821 (RGFD-09?ZCM?)	45,500 [13.3]	30,450 [8.9]	15,050 [4.4]	12.50	15.10	77	1,325 [625]
	RCFL-A*4821 (RGFD-10?ZCM?)	45,500 [13.3]	30,450 [8.9]	15,050 [4.4]	12.50	14.50	77	1,325 [625]
	RCFL-A*4821 (RGFE-09?ZCM?)	45,500 [13.3]	30,950 [9.1]	14,550 [4.3]	12.00	14.50	77	1,400 [661]
	RCFL-A*4821 (RGGD-09?ZCM?)	46,000 [13.5]	31,550 [9.2]	14,450 [4.2]	12.50	15.00	77	1,425 [672]
	RCFL-A*4821 (RGGD-10?ZCM?)	46,000 [13.5]	31,550 [9.2]	14,450 [4.2]	12.50	15.10	77	1,425 [672]
	RCFL-A*4821 (RGGE-09?ZCM?)	45,500 [13.3]	30,900 [9.1]	14,600 [4.3]	12.50	15.10	77	1,400 [661]
	RCFL-A*4821 (RGGE-10?ZCM?)	45,500 [13.3]	30,950 [9.1]	14,550 [4.3]	12.00	14.50	77	1,400 [661]
	RCFL-A*4821 (RGJD-09?ZCM?)	46,000 [13.5]	31,550 [9.2]	14,450 [4.2]	12.50	15.10	77	1,425 [672]
	RCFL-A*4821 (RGJD-10?ZCM?)	46,000 [13.5]	31,550 [9.2]	14,450 [4.2]	12.50	15.10	77	1,425 [672]
	RCFL-A*4821 (RGJF-09?ZCM?)	45,500 [13.3]	30,900 [9.1]	14,600 [4.3]	12.50	15.10	77	1,400 [661]
	RCFL-A*4821 (RGJF-10?ZCM?)	45,500 [13.3]	30,950 [9.1]	14,550 [4.3]	12.00	14.50	77	1,400 [661]
	RCFL-A*4821 (RGLE-07?BRQ?)	46,000 [13.5]	31,350 [9.2]	14,650 [4.3]	12.50	15.10	77	1,400 [661]
	RCFL-A*4821 (RGLE-10?BRM?)	46,500 [13.6]	32,450 [9.5]	14,050 [4.1]	12.50	15.50	77	1,500 [708]
	RCFL-A*4821 (RGLR-07?BRQ?)	46,000 [13.5]	31,500 [9.2]	14,500 [4.2]	12.50	15.50	77	1,425 [672]
	RCFL-A*4821 (RGLR-10?BRM?)	46,000 [13.5]	31,150 [9.1]	14,850 [4.4]	12.50	15.50	77	1,375 [649]
	RCFL-A*4821 (RGLT-07?AME?)	45,500 [13.3]	30,450 [8.9]	15,050 [4.4]	12.50	15.00	77	1,325 [625]
	RCFL-A*4821 (RGLT-07?BRQ?)	46,000 [13.5]	31,500 [9.2]	14,500 [4.2]	13.00	15.10	77	1,425 [672]
	RCFL-A*4821 (RGLT-10?BRM?)	46,000 [13.5]	31,350 [9.2]	14,650 [4.3]	13.00	15.10	77	1,400 [661]
	RCFL-A*4821 (RGPE-07?BRQ?)	46,000 [13.5]	31,350 [9.2]	14,650 [4.3]	12.50	15.50	77	1,400 [661]
	RCFL-A*4821 (RGPE-10?BRM?)	46,000 [13.5]	31,350 [9.2]	14,650 [4.3]	12.50	15.50	77	1,400 [661]
	RCFL-A*4821 (RGPR-07?BRQ?)	46,000 [13.5]	31,300 [9.2]	14,700 [4.3]	12.50	15.50	77	1,400 [661]
	RCFL-A*4821 (RGPR-10?BRM?)	46,000 [13.5]	31,500 [9.2]	14,500 [4.2]	12.50	15.10	77	1,425 [672]
	RCFL-A*4821 (RGPT-07?AME?)	45,000 [13.2]	30,000 [8.8]	15,000 [4.4]	12.50	14.50	77	1,325 [625]
	RCFL-A*4821 (RGPT-07?BRQ?)	46,000 [13.5]	31,450 [9.2]	14,550 [4.3]	13.00	15.50	77	1,425 [672]
	RCFL-A*4821 (RGPT-10?BRM?)	46,000 [13.5]	31,450 [9.2]	14,550 [4.3]	13.00	15.50	77	1,425 [672]
	RCFL-A*4821 (RGTM-07?RBG?)	45,500 [13.3]	30,350 [8.9]	15,150 [4.4]	12.50	15.50	77	1,325 [625]
	RCFL-A*4821 (RGTM-09?ZAJ?)	45,500 [13.3]	30,900 [9.1]	14,600 [4.3]	12.50	15.00	77	1,400 [661]
	ROCA-070E04 (RCFL-A*4821)	45,500 [13.3]	31,000 [9.1]	14,500 [4.2]	12.00	14.50	77	1,400 [661]
	ROLA-070E04 (RCFL-A*4821)	45,500 [13.3]	30,700 [9.0]	14,800 [4.3]	13.00	15.10	77	1,375 [649]
	ROLA-115E05 (RCFL-A*4821)	46,000 [13.5]	31,350 [9.2]	14,650 [4.3]	13.00	15.10	77	1,400 [661]
	RCFL-A*4824	46,500 [13.6]	33,200 [9.7]	13,300 [3.9]	12.00	14.50	77	1,600 [755]
	RCFL-A*4824 (RGFD-09?ZCM?)	45,500 [13.3]	30,450 [8.9]	15,050 [4.4]	12.50	15.00	77	1,325 [625]
	RCFL-A*4824 (RGFD-10?ZCM?)	45,500 [13.3]	30,500 [8.9]	15,000 [4.4]	12.00	14.50	77	1,325 [625]
RCFL-A*4824 (RGFD-12?RCM?)	46,000 [13.5]	31,900 [9.3]	14,100 [4.1]	12.50	15.00	77	1,475 [696]	
RCFL-A*4824 (RGFE-12?RCM?)	46,000 [13.5]	31,700 [9.3]	14,300 [4.2]	12.50	15.10	77	1,450 [684]	
RCFL-A*4824 (RGGD-09?ZCM?)	46,000 [13.5]	31,550 [9.2]	14,450 [4.2]	12.00	15.00	77	1,425 [672]	
RCFL-A*4824 (RGGD-10?ZCM?)	46,000 [13.5]	31,550 [9.2]	14,450 [4.2]	12.50	15.10	77	1,425 [672]	
RCFL-A*4824 (RGGD-12?RCM?)	46,000 [13.5]	31,650 [9.3]	14,350 [4.2]	12.50	15.10	77	1,450 [684]	
RCFL-A*4824 (RGGE-09?ZCM?)	45,500 [13.3]	30,900 [9.1]	14,600 [4.3]	12.50	15.10	77	1,400 [661]	
RCFL-A*4824 (RGGE-10?ZCM?)	45,500 [13.3]	30,950 [9.1]	14,550 [4.3]	12.00	14.50	77	1,400 [661]	
RCFL-A*4824 (RGGE-12?RCM?)	46,000 [13.5]	31,150 [9.1]	14,850 [4.4]	12.50	15.50	77	1,375 [649]	
RCFL-A*4824 (RGJD-09?ZCM?)	46,000 [13.5]	31,550 [9.2]	14,450 [4.2]	12.50	15.10	77	1,425 [672]	
RCFL-A*4824 (RGJD-10?ZCM?)	46,000 [13.5]	31,550 [9.2]	14,450 [4.2]	12.50	15.10	77	1,425 [672]	
RCFL-A*4824 (RGJD-12?RCM?)	46,000 [13.5]	31,650 [9.3]	14,350 [4.2]	12.50	15.10	77	1,450 [684]	

① Highest sales volume tested combination required by D.O.E. test procedures.

[] Designates Metric Conversions

Performance Data @ AHRI Standard Conditions—Cooling (con't.)

Model Numbers		80°F [26.5°C] DB/67°F [19.5°C] WB Indoor Air 95°F [35°C] DB Outdoor Air					Sound Rating dB	Indoor CFM [L/s]
Outdoor Unit 14AJM	Indoor Coil and/or Air Handler	Total Capacity BTU/H [kW]	Net Sensible BTU/H [kW]	Net Latent BTU/H [kW]	EER	SEER		
Rev. 7/1/10	RCFL-A*4824 (RGJF-09?ZCM?)	45,500 [13.3]	30,900 [9.1]	14,600 [4.3]	12.50	15.10	77	1,400 [661]
	RCFL-A*4824 (RGJF-10?ZCM?)	45,500 [13.3]	30,950 [9.1]	14,550 [4.3]	12.00	14.50	77	1,400 [661]
	RCFL-A*4824 (RGJF-12?RCM?)	46,000 [13.5]	31,150 [9.1]	14,850 [4.4]	12.50	15.50	77	1,375 [649]
	RCFL-A*4824 (RGLF-07?BRQ?)	46,000 [13.5]	31,350 [9.2]	14,650 [4.3]	12.50	15.10	77	1,400 [661]
	RCFL-A*4824 (RGLF-10?BRM?)	46,000 [13.5]	31,300 [9.2]	14,700 [4.3]	13.00	15.50	77	1,400 [661]
	RCFL-A*4824 (RGLF-12?ARM?)	46,000 [13.5]	31,450 [9.2]	14,550 [4.3]	13.00	15.50	77	1,425 [672]
	RCFL-A*4824 (RGLR-07?BRQ?)	46,000 [13.5]	31,500 [9.2]	14,500 [4.2]	13.00	15.50	77	1,425 [672]
	RCFL-A*4824 (RGLT-07?BRQ?)	46,000 [13.5]	31,500 [9.2]	14,500 [4.2]	13.00	15.10	77	1,425 [672]
	RCFL-A*4824 (RGLT-10?BRM?)	46,000 [13.5]	31,350 [9.2]	14,650 [4.3]	13.00	15.10	77	1,400 [661]
	RCFL-A*4824 (RGLT-12?ARM?)	46,000 [13.5]	30,950 [9.1]	15,050 [4.4]	13.00	15.50	77	1,350 [637]
	RCFL-A*4824 (RGPE-07?BRQ?)	46,000 [13.5]	31,350 [9.2]	14,650 [4.3]	12.50	15.50	77	1,400 [661]
	RCFL-A*4824 (RGPE-10?BRM?)	46,000 [13.5]	31,350 [9.2]	14,650 [4.3]	12.50	15.50	77	1,400 [661]
	RCFL-A*4824 (RGPE-12?ARM?)	46,000 [13.5]	31,450 [9.2]	14,550 [4.3]	12.50	15.50	77	1,425 [672]
	RCFL-A*4824 (RGPR-07?BRQ?)	46,000 [13.5]	31,300 [9.2]	14,700 [4.3]	12.50	15.50	77	1,400 [661]
	RCFL-A*4824 (RGPR-10?BRM?)	46,000 [13.5]	31,550 [9.2]	14,450 [4.2]	12.50	15.10	77	1,425 [672]
	RCFL-A*4824 (RGPR-12?ARM?)	46,000 [13.5]	31,300 [9.2]	14,700 [4.3]	12.50	15.50	77	1,400 [661]
	RCFL-A*4824 (RGPT-07?BRQ?)	47,000 [13.8]	33,250 [9.7]	13,750 [4.0]	13.00	15.50	77	1,550 [731]
	RCFL-A*4824 (RGPT-10?BRM?)	46,000 [13.5]	31,300 [9.2]	14,700 [4.3]	13.00	15.50	77	1,400 [661]
	RCFL-A*4824 (RGPT-12?ARM?)	46,000 [13.5]	30,950 [9.1]	15,050 [4.4]	13.00	15.50	77	1,350 [637]
	RCFL-A*4824 (RGRM-12?RAJ?)	46,000 [13.5]	31,550 [9.2]	14,450 [4.2]	12.50	15.10	77	1,425 [672]
RCFL-A*4824 (RGTM-07?RBG?)	45,500 [13.3]	30,350 [8.9]	15,150 [4.4]	13.00	15.50	77	1,325 [625]	
RCFL-A*4824 (RGTM-09?ZAJ?)	45,500 [13.3]	30,900 [9.1]	14,600 [4.3]	12.50	15.00	77	1,400 [661]	
RCFL-A*4824 (RGTM-10?RBJ?)	46,000 [13.5]	31,500 [9.2]	14,500 [4.2]	12.50	15.10	77	1,425 [672]	
ROCA-070E04 (RCFL-A*4824)	45,500 [13.3]	31,000 [9.1]	14,500 [4.2]	12.50	14.50	77	1,400 [661]	
ROLA-070E04 (RCFL-A*4824)	45,500 [13.3]	30,700 [9.0]	14,800 [4.3]	13.00	15.10	77	1,375 [649]	
ROLA-115E05 (RCFL-A*4824)	46,000 [13.5]	31,350 [9.2]	14,650 [4.3]	12.50	15.10	77	1,400 [661]	
49	RCFL-H*4821 (RGFD-09?ZCM?)	45,500 [13.3]	30,450 [8.9]	15,050 [4.4]	12.50	15.10	77	1,325 [625]
	RCFL-H*4821 (RGFD-10?ZCM?)	45,500 [13.3]	30,450 [8.9]	15,050 [4.4]	12.50	14.50	77	1,325 [625]
	RCFL-H*4821 (RGFE-09?ZCM?)	45,500 [13.3]	30,950 [9.1]	14,550 [4.3]	12.00	14.50	77	1,400 [661]
	RCFL-H*4821 (RGGD-09?ZCM?)	46,000 [13.5]	31,550 [9.2]	14,450 [4.2]	12.50	15.00	77	1,425 [672]
	RCFL-H*4821 (RGGD-10?ZCM?)	46,000 [13.5]	31,550 [9.2]	14,450 [4.2]	12.50	15.10	77	1,425 [672]
	RCFL-H*4821 (RGGE-09?ZCM?)	45,500 [13.3]	30,900 [9.1]	14,600 [4.3]	12.50	15.10	77	1,400 [661]
	RCFL-H*4821 (RGGE-10?ZCM?)	45,500 [13.3]	30,950 [9.1]	14,550 [4.3]	12.00	14.50	77	1,400 [661]
	RCFL-H*4821 (RGJD-09?ZCM?)	46,000 [13.5]	31,550 [9.2]	14,450 [4.2]	12.50	15.10	77	1,425 [672]
	RCFL-H*4821 (RGJD-10?ZCM?)	46,000 [13.5]	31,550 [9.2]	14,450 [4.2]	12.50	15.10	77	1,425 [672]
	RCFL-H*4821 (RGJF-09?ZCM?)	45,500 [13.3]	30,900 [9.1]	14,600 [4.3]	12.50	15.10	77	1,400 [661]
	RCFL-H*4821 (RGJF-10?ZCM?)	45,500 [13.3]	30,950 [9.1]	14,550 [4.3]	12.00	14.50	77	1,400 [661]
	RCFL-H*4821 (RGLF-07?BRQ?)	46,000 [13.5]	31,350 [9.2]	14,650 [4.3]	12.50	15.10	77	1,400 [661]
	RCFL-H*4821 (RGLF-10?BRM?)	46,500 [13.6]	32,450 [9.5]	14,050 [4.1]	12.50	15.50	77	1,500 [708]
	RCFL-H*4821 (RGLR-07?BRQ?)	46,000 [13.5]	31,500 [9.2]	14,500 [4.2]	12.50	15.50	77	1,425 [672]
	RCFL-H*4821 (RGLR-10?BRM?)	46,000 [13.5]	31,150 [9.1]	14,850 [4.4]	12.50	15.50	77	1,375 [649]
	RCFL-H*4821 (RGLT-07?AME?)	45,500 [13.3]	30,450 [8.9]	15,050 [4.4]	12.50	15.00	77	1,325 [625]
	RCFL-H*4821 (RGLT-07?BRQ?)	46,000 [13.5]	31,500 [9.2]	14,500 [4.2]	13.00	15.10	77	1,425 [672]
	RCFL-H*4821 (RGLT-10?BRM?)	46,000 [13.5]	31,350 [9.2]	14,650 [4.3]	13.00	15.10	77	1,400 [661]
	RCFL-H*4821 (RGPE-07?BRQ?)	46,000 [13.5]	31,350 [9.2]	14,650 [4.3]	12.50	15.50	77	1,400 [661]
	RCFL-H*4821 (RGPE-10?BRM?)	46,000 [13.5]	31,350 [9.2]	14,650 [4.3]	12.50	15.50	77	1,400 [661]
	RCFL-H*4821 (RGPR-07?BRQ?)	46,000 [13.5]	31,300 [9.2]	14,700 [4.3]	12.50	15.50	77	1,400 [661]
	RCFL-H*4821 (RGPR-10?BRM?)	46,000 [13.5]	31,500 [9.2]	14,500 [4.2]	12.50	15.10	77	1,425 [672]
	RCFL-H*4821 (RGPT-07?AME?)	45,000 [13.2]	30,000 [8.8]	15,000 [4.4]	12.50	14.50	77	1,325 [625]
	RCFL-H*4821 (RGPT-07?BRQ?)	46,000 [13.5]	31,450 [9.2]	14,550 [4.3]	13.00	15.50	77	1,425 [672]
	RCFL-H*4821 (RGPT-10?BRM?)	46,000 [13.5]	31,450 [9.2]	14,550 [4.3]	13.00	15.50	77	1,425 [672]
	RCFL-H*4821 (RGTM-07?RBG?)	45,500 [13.3]	30,350 [8.9]	15,150 [4.4]	12.50	15.50	77	1,325 [625]
	RCFL-H*4821 (RGTM-09?ZAJ?)	45,500 [13.3]	30,900 [9.1]	14,600 [4.3]	12.50	15.00	77	1,400 [661]

① Highest sales volume tested combination required by D.O.E. test procedures.

[] Designates Metric Conversions

Performance Data @ AHRI Standard Conditions—Cooling (con't.)

Model Numbers		80°F [26.5°C] DB/67°F [19.5°C] WB Indoor Air 95°F [35°C] DB Outdoor Air					Sound Rating dB	Indoor CFM [L/s]
Outdoor Unit 14AJM	Indoor Coil and/or Air Handler	Total Capacity BTU/H [kW]	Net Sensible BTU/H [kW]	Net Latent BTU/H [kW]	EER	SEER		
Rev. 7/1/10	ROCA-070E04 (RCFL-H*4821)	45,500 [13.3]	31,000 [9.1]	14,500 [4.2]	12.00	14.50	77	1,400 [661]
	ROLA-070E04 (RCFL-H*4821)	45,500 [13.3]	30,700 [9.0]	14,800 [4.3]	13.00	15.10	77	1,375 [649]
	ROLA-115E05 (RCFL-H*4821)	46,000 [13.5]	31,350 [9.2]	14,650 [4.3]	13.00	15.10	77	1,400 [661]
	RCFL-H*4824	46,500 [13.6]	33,200 [9.7]	13,300 [3.9]	12.00	14.50	77	1,600 [755]
	RCFL-H*4824 (RGFD-09?ZCM?)	45,500 [13.3]	30,450 [8.9]	15,050 [4.4]	12.50	15.00	77	1,325 [625]
	RCFL-H*4824 (RGFD-10?ZCM?)	45,500 [13.3]	30,500 [8.9]	15,000 [4.4]	12.00	14.50	77	1,325 [625]
	RCFL-H*4824 (RGFD-12?RCM?)	46,000 [13.5]	31,900 [9.3]	14,100 [4.1]	12.50	15.00	77	1,475 [696]
	RCFL-H*4824 (RGFE-12?RCM?)	46,000 [13.5]	31,700 [9.3]	14,300 [4.2]	12.50	15.10	77	1,450 [684]
	RCFL-H*4824 (RGGD-09?ZCM?)	46,000 [13.5]	31,550 [9.2]	14,450 [4.2]	12.00	15.00	77	1,425 [672]
	RCFL-H*4824 (RGGD-10?ZCM?)	46,000 [13.5]	31,550 [9.2]	14,450 [4.2]	12.50	15.10	77	1,425 [672]
	RCFL-H*4824 (RGGD-12?RCM?)	46,000 [13.5]	31,650 [9.3]	14,350 [4.2]	12.50	15.10	77	1,450 [684]
	RCFL-H*4824 (RGGE-09?ZCM?)	45,500 [13.3]	30,900 [9.1]	14,600 [4.3]	12.50	15.10	77	1,400 [661]
	RCFL-H*4824 (RGGE-10?ZCM?)	45,500 [13.3]	30,950 [9.1]	14,550 [4.3]	12.00	14.50	77	1,400 [661]
	RCFL-H*4824 (RGGE-12?RCM?)	46,000 [13.5]	31,150 [9.1]	14,850 [4.4]	12.50	15.50	77	1,375 [649]
	RCFL-H*4824 (RGJD-09?ZCM?)	46,000 [13.5]	31,550 [9.2]	14,450 [4.2]	12.50	15.10	77	1,425 [672]
	RCFL-H*4824 (RGJD-10?ZCM?)	46,000 [13.5]	31,550 [9.2]	14,450 [4.2]	12.50	15.10	77	1,425 [672]
	RCFL-H*4824 (RGJD-12?RCM?)	46,000 [13.5]	31,650 [9.3]	14,350 [4.2]	12.50	15.10	77	1,450 [684]
	RCFL-H*4824 (RGJF-09?ZCM?)	45,500 [13.3]	30,900 [9.1]	14,600 [4.3]	12.50	15.10	77	1,400 [661]
	RCFL-H*4824 (RGJF-10?ZCM?)	45,500 [13.3]	30,950 [9.1]	14,550 [4.3]	12.00	14.50	77	1,400 [661]
	RCFL-H*4824 (RGJF-12?RCM?)	46,000 [13.5]	31,150 [9.1]	14,850 [4.4]	12.50	15.50	77	1,375 [649]
	RCFL-H*4824 (RGLE-07?BRQ?)	46,000 [13.5]	31,350 [9.2]	14,650 [4.3]	12.50	15.10	77	1,400 [661]
	RCFL-H*4824 (RGLE-10?BRM?)	46,000 [13.5]	31,300 [9.2]	14,700 [4.3]	13.00	15.50	77	1,400 [661]
	RCFL-H*4824 (RGLE-12?ARM?)	46,000 [13.5]	31,450 [9.2]	14,550 [4.3]	13.00	15.50	77	1,425 [672]
	RCFL-H*4824 (RGLR-07?BRQ?)	46,000 [13.5]	31,500 [9.2]	14,500 [4.2]	13.00	15.50	77	1,425 [672]
	RCFL-H*4824 (RGLR-10?BRM?)	46,000 [13.5]	31,150 [9.1]	14,850 [4.4]	13.00	15.50	77	1,375 [649]
	RCFL-H*4824 (RGLR-12?ARM?)	46,000 [13.5]	31,450 [9.2]	14,550 [4.3]	13.00	15.50	77	1,425 [672]
	RCFL-H*4824 (RGLT-07?BRQ?)	46,000 [13.5]	31,500 [9.2]	14,500 [4.2]	13.00	15.10	77	1,425 [672]
	RCFL-H*4824 (RGLT-10?BRM?)	46,000 [13.5]	31,350 [9.2]	14,650 [4.3]	13.00	15.10	77	1,400 [661]
	RCFL-H*4824 (RGLT-12?ARM?)	46,000 [13.5]	30,950 [9.1]	15,050 [4.4]	13.00	15.50	77	1,350 [637]
	RCFL-H*4824 (RGPE-07?BRQ?)	46,000 [13.5]	31,350 [9.2]	14,650 [4.3]	12.50	15.50	77	1,400 [661]
	RCFL-H*4824 (RGPE-10?BRM?)	46,000 [13.5]	31,350 [9.2]	14,650 [4.3]	12.50	15.50	77	1,400 [661]
	RCFL-H*4824 (RGPE-12?ARM?)	46,000 [13.5]	31,450 [9.2]	14,550 [4.3]	12.50	15.50	77	1,425 [672]
	RCFL-H*4824 (RGPR-07?BRQ?)	46,000 [13.5]	31,300 [9.2]	14,700 [4.3]	12.50	15.50	77	1,400 [661]
	RCFL-H*4824 (RGPR-10?BRM?)	46,000 [13.5]	31,550 [9.2]	14,450 [4.2]	12.50	15.10	77	1,425 [672]
	RCFL-H*4824 (RGPR-12?ARM?)	46,000 [13.5]	31,300 [9.2]	14,700 [4.3]	12.50	15.50	77	1,400 [661]
	RCFL-H*4824 (RGPT-07?BRQ?)	47,000 [13.8]	33,250 [9.7]	13,750 [4.0]	13.00	15.50	77	1,550 [731]
	RCFL-H*4824 (RGPT-10?BRM?)	46,000 [13.5]	31,300 [9.2]	14,700 [4.3]	13.00	15.50	77	1,400 [661]
	RCFL-H*4824 (RGPT-12?ARM?)	46,000 [13.5]	30,950 [9.1]	15,050 [4.4]	13.00	15.50	77	1,350 [637]
	RCFL-H*4824 (RGRM-12?RAJ?)	46,000 [13.5]	31,550 [9.2]	14,450 [4.2]	12.50	15.10	77	1,425 [672]
	RCFL-H*4824 (RGTM-07?RBG?)	45,500 [13.3]	30,350 [8.9]	15,150 [4.4]	13.00	15.50	77	1,325 [625]
RCFL-H*4824 (RGTM-09?ZAJ?)	45,500 [13.3]	30,900 [9.1]	14,600 [4.3]	12.50	15.00	77	1,400 [661]	
RCFL-H*4824 (RGTM-10?RBJ?)	46,000 [13.5]	31,500 [9.2]	14,500 [4.2]	12.50	15.10	77	1,425 [672]	
ROCA-070E04 (RCFL-H*4824)	45,500 [13.3]	31,000 [9.1]	14,500 [4.2]	12.50	14.50	77	1,400 [661]	
ROLA-070E04 (RCFL-H*4824)	45,500 [13.3]	30,700 [9.0]	14,800 [4.3]	13.00	15.10	77	1,375 [649]	
ROLA-115E05 (RCFL-H*4824)	46,000 [13.5]	31,350 [9.2]	14,650 [4.3]	12.50	15.10	77	1,400 [661]	
RCFN-H*4824	49,000 [14.4]	37,550 [11.0]	11,450 [3.4]	12.50	15.50	77	1,600 [755]	
RCFN-H*4824 (RGFD-12?RCM?)	48,000 [14.1]	35,800 [10.5]	12,200 [3.6]	12.50	15.50	77	1,475 [696]	
RCFN-H*4824 (RGFE-12?RCM?)	48,000 [14.1]	35,600 [10.4]	12,400 [3.6]	13.00	15.50	77	1,450 [684]	
RCFN-H*4824 (RGGD-09?ZCM?)	47,500 [13.9]	35,000 [10.3]	12,500 [3.7]	13.00	15.50	77	1,425 [672]	
RCFN-H*4824 (RGGD-10?ZCM?)	47,500 [13.9]	34,950 [10.2]	12,550 [3.7]	13.00	15.50	77	1,425 [672]	
RCFN-H*4824 (RGGD-12?RCM?)	48,000 [14.1]	35,600 [10.4]	12,400 [3.6]	13.00	16.00	77	1,450 [684]	
RCFN-H*4824 (RGGE-09?ZCM?)	47,500 [13.9]	34,800 [10.2]	12,700 [3.7]	13.00	15.50	77	1,400 [661]	
RCFN-H*4824 (RGGE-12?RCM?)	47,500 [13.9]	34,550 [10.1]	12,950 [3.8]	13.00	16.00	77	1,375 [649]	

① Highest sales volume tested combination required by D.O.E. test procedures.

[] Designates Metric Conversions

Performance Data @ AHRI Standard Conditions—Cooling (con't.)

Model Numbers		80°F [26.5°C] DB/67°F [19.5°C] WB Indoor Air 95°F [35°C] DB Outdoor Air					Sound Rating dB	Indoor CFM [L/s]
Outdoor Unit 14AJM	Indoor Coil and/or Air Handler	Total Capacity BTU/H [kW]	Net Sensible BTU/H [kW]	Net Latent BTU/H [kW]	EER	SEER		
Rev. 7/1/10	RCFN-H*4824 (RGJD-09?ZCM?)	47,500 [13.9]	35,000 [10.3]	12,500 [3.7]	13.00	15.50	77	1,425 [672]
	RCFN-H*4824 (RGJD-10?ZCM?)	47,500 [13.9]	34,950 [10.2]	12,550 [3.7]	13.00	15.50	77	1,425 [672]
	RCFN-H*4824 (RGJD-12?RCM?)	48,000 [14.1]	35,600 [10.4]	12,400 [3.6]	13.00	16.00	77	1,450 [684]
	RCFN-H*4824 (RGJF-09?ZCM?)	47,500 [13.9]	34,800 [10.2]	12,700 [3.7]	13.00	15.50	77	1,400 [661]
	RCFN-H*4824 (RGJF-12?RCM?)	47,500 [13.9]	34,550 [10.1]	12,950 [3.8]	13.00	16.00	77	1,375 [649]
	RCFN-H*4824 (RGLE-07?BRQ?)	47,500 [13.9]	34,750 [10.2]	12,750 [3.7]	13.00	16.00	77	1,400 [661]
	RCFN-H*4824 (RGLE-10?BRM?)	48,000 [14.1]	35,200 [10.3]	12,800 [3.8]	13.00	16.00	77	1,400 [661]
	RCFN-H*4824 (RGLE-12?ARM?)	48,000 [14.1]	35,400 [10.4]	12,600 [3.7]	13.00	16.00	77	1,425 [672]
	RCFN-H*4824 (RGLR-07?BRQ?)	48,000 [14.1]	35,400 [10.4]	12,600 [3.7]	13.00	16.00	77	1,425 [672]
	RCFN-H*4824 (RGLR-10?BRM?)	48,000 [14.1]	35,950 [10.5]	12,050 [3.5]	13.00	16.00	77	1,500 [708]
	RCFN-H*4824 (RGLR-12?ARM?)	48,500 [14.2]	36,600 [10.7]	11,900 [3.5]	13.00	16.00	77	1,525 [720]
	RCFN-H*4824 (RGLT-07?BRQ?)	47,000 [13.8]	35,300 [10.3]	11,700 [3.4]	13.00	15.50	77	1,450 [684]
	RCFN-H*4824 (RGLT-10?BRM?)	47,000 [13.8]	35,300 [10.3]	11,700 [3.4]	13.00	15.50	77	1,450 [684]
	RCFN-H*4824 (RGLT-12?ARM?)	47,000 [13.8]	34,900 [10.2]	12,100 [3.5]	13.00	16.00	77	1,400 [661]
	RCFN-H*4824 (RGPE-07?BRQ?)	48,000 [14.1]	35,250 [10.3]	12,750 [3.7]	13.00	16.00	77	1,400 [661]
	RCFN-H*4824 (RGPE-10?BRM?)	48,000 [14.1]	35,250 [10.3]	12,750 [3.7]	13.00	16.00	77	1,400 [661]
	RCFN-H*4824 (RGPE-12?ARM?)	48,500 [14.2]	36,600 [10.7]	11,900 [3.5]	13.00	16.00	77	1,525 [720]
	RCFN-H*4824 (RGPR-07?BRQ?)	48,000 [14.1]	35,250 [10.3]	12,750 [3.7]	13.00	16.00	77	1,400 [661]
	RCFN-H*4824 (RGPR-10?BRM?)	48,000 [14.1]	35,450 [10.4]	12,550 [3.7]	13.00	16.00	77	1,425 [672]
	RCFN-H*4824 (RGPR-12?ARM?)	48,500 [14.2]	37,150 [10.9]	11,350 [3.3]	13.00	16.00	77	1,575 [743]
RCFN-H*4824 (RGPT-07?BRQ?)	48,000 [14.1]	36,950 [10.8]	11,050 [3.2]	13.00	15.50	77	1,550 [731]	
RCFN-H*4824 (RGPT-10?BRM?)	47,000 [13.8]	35,300 [10.3]	11,700 [3.4]	13.00	15.50	77	1,450 [684]	
RCFN-H*4824 (RGPT-12?ARM?)	47,000 [13.8]	34,750 [10.2]	12,250 [3.6]	13.00	16.00	77	1,375 [649]	
RCFN-H*4824 (RGRM-12?RAJ?)	47,500 [13.9]	34,950 [10.2]	12,550 [3.7]	13.00	15.50	77	1,425 [672]	
RCFN-H*4824 (RGTM-07?RBG?)	48,000 [14.1]	35,800 [10.5]	12,200 [3.6]	13.00	15.50	77	1,475 [696]	
RCFN-H*4824 (RGTM-09?ZAJ?)	47,500 [13.9]	34,800 [10.2]	12,700 [3.7]	13.00	15.50	77	1,400 [661]	
RCFN-H*4824 (RGTM-10?RBJ?)	48,000 [14.1]	35,450 [10.4]	12,550 [3.7]	13.00	16.00	77	1,425 [672]	
ROLA-070E04 (RCFN-H*4824)	47,000 [13.8]	34,850 [10.2]	12,150 [3.6]	13.00	15.50	77	1,375 [649]	
ROLA-115E05 (RCFN-H*4824)	47,000 [13.8]	35,000 [10.3]	12,000 [3.5]	13.00	15.50	77	1,400 [661]	
RBHP-24 (RCHL-48A1)	44,500 [13.0]	31,400 [9.2]	13,100 [3.8]	12.50	15.10	77	1,600 [755]	
RCQD-4821	46,500 [13.6]	34,600 [10.1]	11,900 [3.5]	12.00	14.50	77	1,600 [755]	
RCQD-4821 (RGJF-09?ZCM?)	45,000 [13.2]	31,950 [9.4]	13,050 [3.8]	12.00	14.50	77	1,400 [661]	
RCQD-4821 (RGPE-07?BRQ?)	45,000 [13.2]	31,850 [9.3]	13,150 [3.9]	12.50	15.00	77	1,400 [661]	
RCQD-4821 (RGPE-10?BRM?)	45,000 [13.2]	31,850 [9.3]	13,150 [3.9]	12.50	15.00	77	1,400 [661]	
RCQD-4821 (RGPR-07?BRQ?)	45,500 [13.3]	32,350 [9.5]	13,150 [3.9]	12.50	15.10	77	1,400 [661]	
RCQD-4821 (RGPT-07?AME?)	46,000 [13.5]	33,600 [9.8]	12,400 [3.6]	12.50	15.10	77	1,325 [625]	
RCQD-4821 (RGPT-07?BRQ?)	47,000 [13.8]	35,150 [10.3]	11,850 [3.5]	13.00	15.50	77	1,425 [672]	
RCQD-4821 (RGPT-10?BRM?)	47,000 [13.8]	35,150 [10.3]	11,850 [3.5]	13.00	15.50	77	1,425 [672]	
ROCA-070E04 (RCQD-4821)	46,500 [13.6]	34,600 [10.1]	11,900 [3.5]	12.00	14.50	77	1,400 [661]	
ROLA-070E04 (RCQD-4821)	46,500 [13.6]	34,350 [10.1]	12,150 [3.6]	13.00	15.50	77	1,375 [649]	
ROLA-115E05 (RCQD-4821)	47,000 [13.8]	35,000 [10.3]	12,000 [3.5]	13.00	15.50	77	1,400 [661]	
RCQD-4824	46,500 [13.6]	34,600 [10.1]	11,900 [3.5]	12.00	14.50	77	1,600 [755]	
RCQD-4824 (RGFE-12?RCM?)	45,500 [13.3]	32,700 [9.6]	12,800 [3.8]	12.50	14.50	77	1,450 [684]	
RCQD-4824 (RGJF-09?ZCM?)	45,000 [13.2]	31,900 [9.3]	13,100 [3.8]	12.00	14.50	77	1,400 [661]	
RCQD-4824 (RGJF-12?RCM?)	45,000 [13.2]	31,700 [9.3]	13,300 [3.9]	12.50	15.10	77	1,375 [649]	
RCQD-4824 (RGPE-07?BRQ?)	45,500 [13.3]	32,350 [9.5]	13,150 [3.9]	12.50	15.10	77	1,400 [661]	
RCQD-4824 (RGPE-10?BRM?)	45,500 [13.3]	32,350 [9.5]	13,150 [3.9]	12.50	15.10	77	1,400 [661]	
RCQD-4824 (RGPE-12?ARM?)	45,500 [13.3]	32,450 [9.5]	13,050 [3.8]	12.50	15.10	77	1,425 [672]	
RCQD-4824 (RGPR-07?BRQ?)	45,500 [13.3]	32,350 [9.5]	13,150 [3.9]	12.50	15.40	77	1,400 [661]	
RCQD-4824 (RGPR-10?BRM?)	45,500 [13.3]	32,550 [9.5]	12,950 [3.8]	12.50	14.50	77	1,425 [672]	
RCQD-4824 (RGPR-12?ARM?)	45,500 [13.3]	32,350 [9.5]	13,150 [3.9]	12.50	15.10	77	1,400 [661]	
RCQD-4824 (RGPT-07?BRQ?)	46,000 [13.5]	35,000 [10.3]	11,000 [3.2]	13.00	15.50	77	1,475 [696]	
RCQD-4824 (RGPT-10?BRM?)	45,500 [13.3]	34,300 [10.0]	11,200 [3.3]	12.00	15.50	77	1,450 [684]	

① Highest sales volume tested combination required by D.O.E. test procedures.

[] Designates Metric Conversions

Performance Data @ AHRI Standard Conditions—Cooling (con't.)

Model Numbers		80°F [26.5°C] DB/67°F [19.5°C] WB Indoor Air 95°F [35°C] DB Outdoor Air					Sound Rating dB	Indoor CFM [L/s]
Outdoor Unit 14AJM	Indoor Coil and/or Air Handler	Total Capacity BTU/H [kW]	Net Sensible BTU/H [kW]	Net Latent BTU/H [kW]	EER	SEER		
Rev. 7/1/10 49	RCQD-4824 (RGPT-12?ARM?)	45,500 [13.3]	33,950 [9.9]	11,550 [3.4]	12.00	15.50	77	1,400 [661]
	ROLA-070E04 (RCQD-4824)	45,000 [13.2]	33,350 [9.8]	11,650 [3.4]	12.50	15.10	77	1,375 [649]
	ROLA-115E05 (RCQD-4824)	45,500 [13.3]	34,050 [10.0]	11,450 [3.4]	12.50	15.10	77	1,400 [661]
	RHLL-HM4821 (RCSL-H*4821)	46,000 [13.5]	31,250 [9.2]	14,750 [4.3]	13.00	16.00	77	1,400 [661]
	RHLL-HM4824 (RCSL-H*4824)	47,000 [13.8]	33,500 [9.8]	13,500 [4.0]	13.00	16.00	77	1,625 [767]
	RHPN-HM4824 (RCSN-H*4824)	52,500 [15.4]	38,600 [11.3]	13,900 [4.1]	13.00	16.00	77	1,600 [755]
56	RCFL-H*6024 ①	52,500 [15.4]	37,450 [11.0]	15,050 [4.4]	12.50	14.50	77	1,525 [720]
	RCFL-A*6024	52,500 [15.4]	37,450 [11.0]	15,050 [4.4]	12.50	14.50	77	1,525 [720]
	RCFL-A*6024 (RGFD-12?RCM?)	53,500 [15.7]	39,250 [11.5]	14,250 [4.2]	12.50	14.50	77	1,650 [779]
	RCFL-A*6024 (RGGE-12?RCM?)	53,500 [15.7]	38,650 [11.3]	14,850 [4.4]	12.50	14.50	77	1,575 [743]
	RCFL-A*6024 (RGJF-12?RCM?)	53,500 [15.7]	38,650 [11.3]	14,850 [4.4]	12.50	14.50	77	1,575 [743]
	RCFL-A*6024 (RGLE-07?BRQ?)	53,500 [15.7]	38,900 [11.4]	14,600 [4.3]	12.50	14.50	77	1,600 [755]
	RCFL-A*6024 (RGLE-10?BRM?)	53,500 [15.7]	38,800 [11.4]	14,700 [4.3]	13.00	15.00	77	1,600 [755]
	RCFL-A*6024 (RGLE-12?ARM?)	53,500 [15.7]	38,200 [11.2]	15,300 [4.5]	13.00	15.10	77	1,525 [720]
	RCFL-A*6024 (RGLR-07?BRQ?)	53,500 [15.7]	39,050 [11.4]	14,450 [4.2]	12.50	14.50	77	1,625 [767]
	RCFL-A*6024 (RGLR-10?BRM?)	53,500 [15.7]	38,650 [11.3]	14,850 [4.4]	12.50	14.50	77	1,575 [743]
	RCFL-A*6024 (RGLR-12?ARM?)	53,500 [15.7]	38,250 [11.2]	15,250 [4.5]	13.00	15.10	77	1,525 [720]
	RCFL-A*6024 (RGLT-12?ARM?)	54,000 [15.8]	40,100 [11.7]	13,900 [4.1]	12.00	14.50	77	1,700 [802]
	RCFL-A*6024 (RGPE-07?BRQ?)	53,500 [15.7]	38,850 [11.4]	14,650 [4.3]	12.50	14.50	77	1,600 [755]
	RCFL-A*6024 (RGPE-10?BRM?)	53,000 [15.5]	37,750 [11.1]	15,250 [4.5]	13.00	15.00	77	1,550 [731]
	RCFL-A*6024 (RGPE-12?ARM?)	53,500 [15.7]	38,200 [11.2]	15,300 [4.5]	13.00	15.10	77	1,525 [720]
	RCFL-A*6024 (RGPR-07?BRQ?)	53,500 [15.7]	39,050 [11.4]	14,450 [4.2]	12.50	14.50	77	1,625 [767]
	RCFL-A*6024 (RGPR-10?BRM?)	53,000 [15.5]	37,800 [11.1]	15,200 [4.5]	12.50	14.50	77	1,525 [720]
	RCFL-A*6024 (RGPR-12?ARM?)	53,500 [15.7]	38,650 [11.3]	14,850 [4.4]	13.00	15.00	77	1,575 [743]
	RCFL-A*6024 (RGPT-07?BRQ?)	53,500 [15.7]	38,200 [11.2]	15,300 [4.5]	12.50	15.10	77	1,550 [731]
	RCFL-A*6024 (RGPT-10?BRM?)	54,000 [15.8]	40,150 [11.8]	13,850 [4.1]	12.00	14.50	77	1,700 [802]
	RCFL-A*6024 (RGPT-12?ARM?)	54,000 [15.8]	40,100 [11.7]	13,900 [4.1]	12.00	14.50	77	1,700 [802]
	ROLA-115E05 (RCFL-A*6024)	53,000 [15.5]	37,800 [11.1]	15,200 [4.5]	12.00	14.50	77	1,500 [708]
	RCFL-H*6024 (RGFD-12?RCM?)	53,500 [15.7]	39,250 [11.5]	14,250 [4.2]	12.50	14.50	77	1,650 [779]
	RCFL-H*6024 (RGGE-12?RCM?)	53,500 [15.7]	38,650 [11.3]	14,850 [4.4]	12.50	14.50	77	1,575 [743]
	RCFL-H*6024 (RGJF-12?RCM?)	53,500 [15.7]	38,650 [11.3]	14,850 [4.4]	12.50	14.50	77	1,575 [743]
	RCFL-H*6024 (RGLE-07?BRQ?)	53,500 [15.7]	38,900 [11.4]	14,600 [4.3]	12.50	14.50	77	1,600 [755]
	RCFL-H*6024 (RGLE-10?BRM?)	53,500 [15.7]	38,800 [11.4]	14,700 [4.3]	13.00	15.00	77	1,600 [755]
	RCFL-H*6024 (RGLE-12?ARM?)	53,500 [15.7]	38,200 [11.2]	15,300 [4.5]	13.00	15.10	77	1,525 [720]
	RCFL-H*6024 (RGLR-07?BRQ?)	53,500 [15.7]	39,050 [11.4]	14,450 [4.2]	12.50	14.50	77	1,625 [767]
	RCFL-H*6024 (RGLR-10?BRM?)	53,500 [15.7]	38,650 [11.3]	14,850 [4.4]	12.50	14.50	77	1,575 [743]
	RCFL-H*6024 (RGLR-12?ARM?)	53,500 [15.7]	38,250 [11.2]	15,250 [4.5]	13.00	15.10	77	1,525 [720]
	RCFL-H*6024 (RGLT-12?ARM?)	54,000 [15.8]	40,100 [11.7]	13,900 [4.1]	12.00	14.50	77	1,700 [802]
	RCFL-H*6024 (RGPE-07?BRQ?)	53,500 [15.7]	38,850 [11.4]	14,650 [4.3]	12.50	14.50	77	1,600 [755]
	RCFL-H*6024 (RGPE-10?BRM?)	53,000 [15.5]	37,750 [11.1]	15,250 [4.5]	13.00	15.00	77	1,550 [731]
	RCFL-H*6024 (RGPE-12?ARM?)	53,500 [15.7]	38,200 [11.2]	15,300 [4.5]	13.00	15.10	77	1,525 [720]
	RCFL-H*6024 (RGPR-07?BRQ?)	53,500 [15.7]	39,050 [11.4]	14,450 [4.2]	12.50	14.50	77	1,625 [767]
	RCFL-H*6024 (RGPR-10?BRM?)	53,000 [15.5]	37,800 [11.1]	15,200 [4.5]	12.50	14.50	77	1,525 [720]
	RCFL-H*6024 (RGPR-12?ARM?)	53,500 [15.7]	38,650 [11.3]	14,850 [4.4]	13.00	15.00	77	1,575 [743]
	RCFL-H*6024 (RGPT-07?BRQ?)	53,500 [15.7]	38,200 [11.2]	15,300 [4.5]	12.50	15.10	77	1,550 [731]
	RCFL-H*6024 (RGPT-10?BRM?)	54,000 [15.8]	40,150 [11.8]	13,850 [4.1]	12.00	14.50	77	1,700 [802]
	RCFL-H*6024 (RGPT-12?ARM?)	54,000 [15.8]	40,100 [11.7]	13,900 [4.1]	12.00	14.50	77	1,700 [802]
	ROLA-115E05 (RCFL-H*6024)	53,000 [15.5]	37,800 [11.1]	15,200 [4.5]	12.00	14.50	77	1,500 [708]
RCFN-H*6024 (RGLT-12?ARM?)	54,000 [15.8]	40,100 [11.7]	13,900 [4.1]	12.00	14.50	77	1,700 [802]	
RCFN-H*6024 (RGPT-07?BRQ?)	53,500 [15.7]	38,200 [11.2]	15,300 [4.5]	12.50	15.10	77	1,550 [731]	
RCFN-H*6024 (RGPT-10?BRM?)	54,000 [15.8]	40,150 [11.8]	13,850 [4.1]	12.00	14.50	77	1,700 [802]	
RCFN-H*6024 (RGPT-12?ARM?)	54,000 [15.8]	40,100 [11.7]	13,900 [4.1]	12.00	14.50	77	1,700 [802]	
ROLA-115E05 (RCFN-H*6024)	53,000 [15.5]	37,800 [11.1]	15,200 [4.5]	12.00	14.50	77	1,500 [708]	

① Highest sales volume tested combination required by D.O.E. test procedures.

[] Designates Metric Conversions

Performance Data @ AHRI Standard Conditions—Cooling (con't.)

Model Numbers		80°F [26.5°C] DB/67°F [19.5°C] WB Indoor Air 95°F [35°C] DB Outdoor Air					Sound Rating dB	Indoor CFM [L/s]
Outdoor Unit 14AJM	Indoor Coil and/or Air Handler	Total Capacity BTU/H [kW]	Net Sensible BTU/H [kW]	Net Latent BTU/H [kW]	EER	SEER		
Rev. 7/1/10	RBHP-24 (RCHL-48A1)	49,500 [14.5]	33,950 [9.9]	15,550 [4.6]	11.50	14.00	77	1,600 [755]
	RBHP-25 (RCHL-60A1)	50,000 [14.6]	35,900 [10.5]	14,100 [4.1]	11.50	14.00	77	1,800 [849]
	RCQD-6024	49,000 [14.4]	34,100 [10.0]	14,900 [4.4]	11.00	13.50	77	1,600 [755]
	RCQD-6024 (RGFD-12?RCM?)	49,000 [14.4]	33,050 [9.7]	15,950 [4.7]	11.50	14.00	77	1,475 [696]
	RCQD-6024 (RGFE-09?ZCM?)	48,500 [14.2]	32,100 [9.4]	16,400 [4.8]	11.50	14.00	77	1,400 [661]
	RCQD-6024 (RGFE-10?ZCM?)	49,000 [14.4]	32,800 [9.6]	16,200 [4.7]	11.50	14.00	77	1,425 [672]
	RCQD-6024 (RGFE-12?RCM?)	49,000 [14.4]	32,900 [9.6]	16,100 [4.7]	11.50	14.00	77	1,450 [684]
	RCQD-6024 (RGJD-09?ZCM?)	49,000 [14.4]	32,750 [9.6]	16,250 [4.8]	11.50	14.00	77	1,425 [672]
	RCQD-6024 (RGJD-10?ZCM?)	49,000 [14.4]	32,750 [9.6]	16,250 [4.8]	11.50	14.00	77	1,425 [672]
	RCQD-6024 (RGJD-12?RCM?)	49,500 [14.5]	33,350 [9.8]	16,150 [4.7]	12.00	14.50	77	1,450 [684]
	RCQD-6024 (RGJF-09?ZCM?)	49,000 [14.4]	32,550 [9.5]	16,450 [4.8]	11.50	14.00	77	1,400 [661]
	RCQD-6024 (RGJF-10?ZCM?)	49,000 [14.4]	32,600 [9.6]	16,400 [4.8]	11.50	14.00	77	1,400 [661]
	RCQD-6024 (RGJF-12?RCM?)	50,000 [14.6]	34,900 [10.2]	15,100 [4.4]	11.50	14.00	77	1,575 [743]
	RCQD-6024 (RGPE-07?BRQ?)	49,000 [14.4]	32,500 [9.5]	16,500 [4.8]	12.00	14.50	77	1,400 [661]
	RCQD-6024 (RGPE-10?BRM?)	49,000 [14.4]	32,500 [9.5]	16,500 [4.8]	12.00	14.50	77	1,400 [661]
	RCQD-6024 (RGPE-12?ARM?)	49,500 [14.5]	33,150 [9.7]	16,350 [4.8]	12.00	14.50	77	1,425 [672]
	RCQD-6024 (RGPR-07?BRQ?)	49,000 [14.4]	32,500 [9.5]	16,500 [4.8]	12.00	14.50	77	1,400 [661]
	RCQD-6024 (RGPR-10?BRM?)	49,000 [14.4]	32,700 [9.6]	16,300 [4.8]	11.50	14.00	77	1,425 [672]
	RCQD-6024 (RGPR-12?ARM?)	49,000 [14.4]	32,500 [9.5]	16,500 [4.8]	12.00	14.50	77	1,400 [661]
	RCQD-6024 (RGPT-07?BRQ?)	49,500 [14.5]	34,850 [10.2]	14,650 [4.3]	12.00	14.50	77	1,550 [731]
	RCQD-6024 (RGPT-10?BRM?)	49,000 [14.4]	33,900 [9.9]	15,100 [4.4]	11.50	14.00	77	1,450 [684]
	RCQD-6024 (RGPT-12?ARM?)	48,500 [14.2]	33,000 [9.7]	15,500 [4.5]	12.00	14.50	77	1,400 [661]
	RCQD-6024 (RGRM-12?RAJ?)	49,000 [14.4]	32,750 [9.6]	16,250 [4.8]	11.50	14.00	77	1,425 [672]
	ROLA-070E04 (RCQD-6024)	48,500 [14.2]	32,950 [9.7]	15,550 [4.6]	11.50	14.00	77	1,375 [649]
	ROLA-115E05 (RCQD-6024)	49,000 [14.4]	34,450 [10.1]	14,550 [4.3]	11.50	14.00	77	1,500 [708]
RHKL-HM6024 (RCSL-H*6024)	54,000 [15.8]	39,150 [11.5]	14,850 [4.4]	13.00	16.00	77	1,600 [755]	
RHLL-HM6024 (RCSL-H*6024)	54,000 [15.8]	39,100 [11.5]	14,900 [4.4]	13.00	16.00	77	1,550 [731]	
56	RCFL-H*6024+RXMD-C04 ①	59,500 [17.4]	40,950 [12.0]	18,550 [5.4]	12.00	14.50	77	1,600 [755]
	RCFL-A*6024 (RGFD-12?RCM?)	60,000 [17.6]	41,800 [12.2]	18,200 [5.3]	12.00	14.50	77	1,650 [779]
	RCFL-A*6024 (RGLR-07?BRQ?)	59,500 [17.4]	40,900 [12.0]	18,600 [5.4]	12.00	14.50	77	1,625 [767]
	RCFL-A*6024 (RGLT-10?BRM?)	60,000 [17.6]	42,250 [12.4]	17,750 [5.2]	11.50	14.00	77	1,700 [802]
	RCFL-A*6024 (RGPR-07?BRQ?)	60,000 [17.6]	41,350 [12.1]	18,650 [5.5]	12.00	14.50	77	1,625 [767]
	RCFL-A*6024 (RGPT-10?BRM?)	60,000 [17.6]	42,250 [12.4]	17,750 [5.2]	12.00	14.50	77	1,700 [802]
	RCFL-A*6024+RXMD-C04	59,500 [17.4]	40,950 [12.0]	18,550 [5.4]	12.00	14.50	77	1,600 [755]
	RCFL-H*6024 (RGFD-12?RCM?)	60,000 [17.6]	41,800 [12.2]	18,200 [5.3]	12.00	14.50	77	1,650 [779]
	RCFL-H*6024 (RGLR-07?BRQ?)	59,500 [17.4]	40,900 [12.0]	18,600 [5.4]	12.00	14.50	77	1,625 [767]
	RCFL-H*6024 (RGLT-10?BRM?)	60,000 [17.6]	42,250 [12.4]	17,750 [5.2]	11.50	14.00	77	1,700 [802]
	RCFL-H*6024 (RGPR-07?BRQ?)	60,000 [17.6]	41,350 [12.1]	18,650 [5.5]	12.00	14.50	77	1,625 [767]
	RCFL-H*6024 (RGPT-10?BRM?)	60,000 [17.6]	42,250 [12.4]	17,750 [5.2]	12.00	14.50	77	1,700 [802]
	RCFN-H*6024 (RGLT-10?BRM?)	60,000 [17.6]	42,250 [12.4]	17,750 [5.2]	11.50	14.00	77	1,700 [802]
	RCFN-H*6024 (RGPT-10?BRM?)	60,000 [17.6]	42,250 [12.4]	17,750 [5.2]	12.00	14.50	77	1,700 [802]
	RBHP-25 (RCHL-60A1)	54,500 [16.0]	35,600 [10.4]	18,900 [5.5]	11.50	14.00	77	1,800 [849]
	RCQD-6024	56,500 [16.6]	37,100 [10.9]	19,400 [5.7]	11.00	13.50	77	1,610 [760]
	RCQD-6024 (RGJF-12?RCM?)	55,500 [16.3]	36,100 [10.6]	19,400 [5.7]	11.00	13.50	77	1,575 [743]
	RCQD-6024 (RGPE-12?ARM?)	56,000 [16.4]	36,800 [10.8]	19,200 [5.6]	11.50	14.00	77	1,625 [767]
	RCQD-6024 (RGPR-07?BRQ?)	56,000 [16.4]	36,800 [10.8]	19,200 [5.6]	11.00	13.50	77	1,625 [767]
	RCQD-6024 (RGPR-12?ARM?)	55,500 [16.3]	36,050 [10.6]	19,450 [5.7]	11.50	14.00	77	1,575 [743]
	RCQD-6024 (RGPT-12?ARM?)	55,500 [16.3]	39,000 [11.4]	16,500 [4.8]	11.00	13.00	77	1,725 [814]
	RHKL-HM6024 (RCSL-H*6024)	61,500 [18.0]	44,450 [13.0]	17,050 [5.0]	13.00	15.00	77	1,800 [849]
	RHLL-HM6024 (RCSL-H*6024)	61,500 [18.0]	44,600 [13.1]	16,900 [5.0]	13.00	15.00	77	1,825 [861]
	RHSL-HM6024 (RCSL-H*6024)	60,000 [17.6]	42,850 [12.6]	17,150 [5.0]	11.50	13.50	77	1,750 [826]
	60	RCFL-H*6024+RXMD-C04 ①	59,500 [17.4]	40,950 [12.0]	18,550 [5.4]	12.00	14.50	77
RCFL-A*6024 (RGFD-12?RCM?)		60,000 [17.6]	41,800 [12.2]	18,200 [5.3]	12.00	14.50	77	1,650 [779]
RCFL-A*6024 (RGLR-07?BRQ?)		59,500 [17.4]	40,900 [12.0]	18,600 [5.4]	12.00	14.50	77	1,625 [767]
RCFL-A*6024 (RGLT-10?BRM?)		60,000 [17.6]	42,250 [12.4]	17,750 [5.2]	11.50	14.00	77	1,700 [802]
RCFL-A*6024 (RGPR-07?BRQ?)		60,000 [17.6]	41,350 [12.1]	18,650 [5.5]	12.00	14.50	77	1,625 [767]
RCFL-A*6024 (RGPT-10?BRM?)		60,000 [17.6]	42,250 [12.4]	17,750 [5.2]	12.00	14.50	77	1,700 [802]
RCFL-A*6024+RXMD-C04		59,500 [17.4]	40,950 [12.0]	18,550 [5.4]	12.00	14.50	77	1,600 [755]
RCFL-H*6024 (RGFD-12?RCM?)		60,000 [17.6]	41,800 [12.2]	18,200 [5.3]	12.00	14.50	77	1,650 [779]
RCFL-H*6024 (RGLR-07?BRQ?)		59,500 [17.4]	40,900 [12.0]	18,600 [5.4]	12.00	14.50	77	1,625 [767]
RCFL-H*6024 (RGLT-10?BRM?)		60,000 [17.6]	42,250 [12.4]	17,750 [5.2]	11.50	14.00	77	1,700 [802]
RCFL-H*6024 (RGPR-07?BRQ?)		60,000 [17.6]	41,350 [12.1]	18,650 [5.5]	12.00	14.50	77	1,625 [767]
RCFL-H*6024 (RGPT-10?BRM?)		60,000 [17.6]	42,250 [12.4]	17,750 [5.2]	12.00	14.50	77	1,700 [802]
RCFN-H*6024 (RGLT-10?BRM?)		60,000 [17.6]	42,250 [12.4]	17,750 [5.2]	11.50	14.00	77	1,700 [802]
RCFN-H*6024 (RGPT-10?BRM?)		60,000 [17.6]	42,250 [12.4]	17,750 [5.2]	12.00	14.50	77	1,700 [802]
RBHP-25 (RCHL-60A1)		54,500 [16.0]	35,600 [10.4]	18,900 [5.5]	11.50	14.00	77	1,800 [849]
RCQD-6024		56,500 [16.6]	37,100 [10.9]	19,400 [5.7]	11.00	13.50	77	1,610 [760]
RCQD-6024 (RGJF-12?RCM?)		55,500 [16.3]	36,100 [10.6]	19,400 [5.7]	11.00	13.50	77	1,575 [743]
RCQD-6024 (RGPE-12?ARM?)		56,000 [16.4]	36,800 [10.8]	19,200 [5.6]	11.50	14.00	77	1,625 [767]
RCQD-6024 (RGPR-07?BRQ?)		56,000 [16.4]	36,800 [10.8]	19,200 [5.6]	11.00	13.50	77	1,625 [767]
RCQD-6024 (RGPR-12?ARM?)		55,500 [16.3]	36,050 [10.6]	19,450 [5.7]	11.50	14.00	77	1,575 [743]
RCQD-6024 (RGPT-12?ARM?)		55,500 [16.3]	39,000 [11.4]	16,500 [4.8]	11.00	13.00	77	1,725 [814]
RHKL-HM6024 (RCSL-H*6024)		61,500 [18.0]	44,450 [13.0]	17,050 [5.0]	13.00	15.00	77	1,800 [849]
RHLL-HM6024 (RCSL-H*6024)		61,500 [18.0]	44,600 [13.1]	16,900 [5.0]	13.00	15.00	77	1,825 [861]
RHSL-HM6024 (RCSL-H*6024)		60,000 [17.6]	42,850 [12.6]	17,150 [5.0]	11.50	13.50	77	1,750 [826]

① Highest sales volume tested combination required by D.O.E. test procedures.

[] Designates Metric Conversions

Electrical and Physical Data

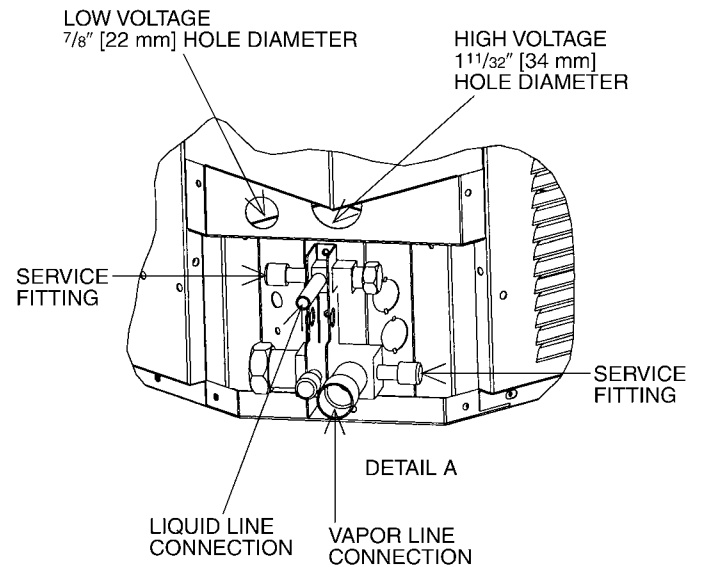
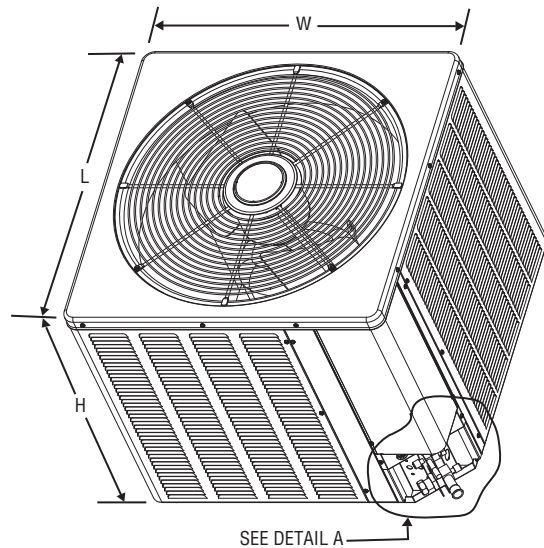
Model No. 14AJM	ELECTRICAL							PHYSICAL						
	Phase Frequency [Hz] Voltage [Volts]	Compressor		Fan Motor Full Load Amperes (FLA)	Minimum Circuit Ampacity Amperes	Fuse or HACR Circuit Breaker		Outdoor Coil			Refrigerant Per Circuit Oz. [g]	Weight		
		Rated Load Amperes (RLA)	Locked Rotor Amperes (LRA)			Minimum Amperes	Maximum Amperes	Face Area Sq. Ft. [m ²]	No. Rows	CFM [L/s]		Net Lbs. [kg]	Shipping Lbs. [kg]	
Rev. 3/11/2010														
18	1-60-208/230	9/9	48	0.8	12/12	15/15	20/20	16.39 [1.52]	1	2805 [1324]	112 [3175]	154 [69.9]	171 [77.6]	
24	1-60-208/230	13.5/13.5	58.3	0.8	18/18	25/25	30/30	16.39 [1.52]	1	2805 [1324]	105.6 [2994]	154 [69.9]	171 [77.6]	
30	1-60-208/230	12.8/12.8	64	1.4	18/18	25/25	30/30	16.39 [1.52]	1	2915 [1376]	112 [3175]	157 [71.2]	175 [79.4]	
36	1-60-208/230	16.7/16.7	79	1.9	23/23	30/30	35/35	21.85 [2.03]	1	3435 [1621]	130.4 [3697]	181 [82.1]	201 [91.2]	
42	1-60-208/230	17.9/17.9	112	2.8	26/26	30/30	40/40	21.85 [2.03]	1	3550 [1675]	145.12 [4114]	205 [93]	225 [102.1]	
48	1-60-208/230	21.8/21.8	117	2.8	31/31	40/40	50/50	21.85 [2.03]	2	4310 [2034]	216 [6124]	249 [112.9]	269 [122]	
49	1-60-208/230	19.9/19.9	109	1.9	27/27	35/35	45/45	21.85 [2.03]	2	3615 [1706]	213 [6039]	249 [112.9]	269 [122]	
56	1-60-208/230	21.4/21.4	135	1.9	29/29	35/35	50/50	21.85 [2.03]	2	3615 [1706]	241 [6832]	254 [115.2]	274 [124.3]	
60	1-60-208/230	26.4/26.4	134	2.8	36/36	45/45	60/60	21.85 [2.03]	2	4310 [2034]	240 [6804]	254 [115.2]	274 [124.3]	

NOTE: Factory Refrigerant Charge includes refrigerant for 15 feet of standard line set.

Unit Dimensions

Model No. 14AJM	Unit Dimensions		
	Width "W" Inches [mm]	Length "L" Inches [mm]	Height "H" Inches [mm]
18, 24, 30	31 ⁵ / ₈ [803]	31 ⁵ / ₈ [803]	27 ³ / ₈ [695]
36, 42, 48, 49, 56, 60	31 ⁵ / ₈ [803]	31 ⁵ / ₈ [803]	35 ³ / ₈ [899]

[] Designates Metric Conversions



Condensing Unit Refrigerant Line Size Information

Liquid Line Sizing (R-410A)														
System Capacity	Liquid Line Connection Size (Inch I.D.)	Line Size (Inch O.D.) [mm]	Liquid Line Size – Outdoor Unit Above Indoor Coil (Cooling Only—Does not apply to Heat Pumps)						Liquid Line Size – Outdoor Unit Below Indoor Coil					
			Total Equivalent Length—Feet [m]						Total Equivalent Length—Feet [m]					
			25 [7.62]	50 [15.24]	75 [22.86]	100 [30.48]	125 [38.10]	150 [45.72]	25 [7.62]	50 [15.24]	75 [22.86]	100 [30.48]	125 [38.10]	150 [45.72]
			Minimum Vertical Separation—Feet [m]						Maximum Vertical Separation—Feet [m]					
1 1/2 Ton	3/8" ≤ [9.53]	1/4 [6.35]	0	0	0	0	8 [2.44]	24 [7.32]	25 [7.62]	40 [12.19]	25 [7.62]	9 [2.74]	N/A	N/A
		5/16 [7.94]	0	0	0	0	0	0	25 [7.62]	50 [15.24]	62 [18.90]	58 [17.68]	53 [16.15]	49 [14.94]
		3/8* [9.53]	0	0	0	0	0	0	25 [7.62]	50 [15.24]	75 [22.86]	72 [21.95]	70 [21.34]	68 [20.73]
2 Ton	3/8" ≤ [9.53]	1/4 [6.35]	0	3 [0.91]	29 [8.84]	55 [16.76]	81 [24.69]	108 [32.92]	23 [7.01]	N/A	N/A	N/A	N/A	N/A
		5/16 [7.94]	0	0	0	0	0	0	25 [7.62]	36 [10.97]	29 [8.84]	23 [7.01]	16 [4.88]	9 [2.74]
		3/8* [9.53]	0	0	0	0	0	0	25 [7.62]	50 [15.24]	72 [21.95]	70 [21.34]	68 [20.73]	65 [19.81]
2 1/2 Ton	3/8" ≤ [9.53]	1/4 [6.35]	0	14 [4.27]	56 [17.07]	98 [29.87]	N/A	N/A	25 [7.62]	N/A	N/A	N/A	N/A	N/A
		5/16 [7.94]	0	0	0	0	0	0	25 [7.62]	49 [14.94]	38 [11.58]	27 [8.23]	17 [5.18]	6 [1.83]
		3/8* [9.53]	0	0	0	0	0	0	25 [7.62]	50 [15.24]	68 [20.73]	65 [19.81]	62 [18.90]	58 [17.68]
3 Ton	3/8" ≤ [9.53]	5/16 [7.94]	0	0	0	0	0	9 [2.74]	25 [7.62]	50 [15.24]	37 [11.28]	22 [6.71]	7 [2.13]	N/A
		3/8* [9.53]	0	0	0	0	0	0	25 [7.62]	50 [15.24]	68 [20.73]	63 [19.20]	58 [17.68]	53 [16.15]
3 1/2 Ton	3/8" ≤ [9.53]	5/16 [7.94]	0	0	0	16 [4.88]	35 [10.67]	54 [16.46]	25 [7.62]	23 [7.01]	4 [1.22]	N/A	N/A	N/A
		3/8* [9.53]	0	0	0	0	0	0	25 [7.62]	50 [15.24]	43 [13.11]	36 [10.97]	30 [9.14]	24 [7.32]
4 Ton	3/8" ≤ [9.53]	3/8* [9.53]	0	0	0	0	0	0	25 [7.62]	46 [14.02]	38 [11.58]	30 [9.14]	22 [6.71]	15 [4.57]
		1/2 [12.57]	0	0	0	0	0	0	25 [7.62]	50 [15.24]	56 [17.07]	55 [16.76]	53 [16.15]	52 [15.85]
5 Ton	3/8" ≤ [9.53]	3/8* [9.53]	0	0	0	0	0	0	25 [7.62]	50 [15.24]	56 [17.07]	44 [13.41]	32 [9.75]	20 [6.10]
		1/2 [12.57]	0	0	0	0	0	0	25 [7.62]	50 [15.24]	75 [22.86]	81 [24.69]	79 [24.08]	76 [23.16]

NOTES: *Standard line size
N/A = Application not recommended.

Suction Line Length/Size versus Capacity Multiplier (R-410A)									
Unit Size	1 1/2 Ton	2 Ton	2 1/2 Ton		3 Ton	3 1/2 Ton		4 Ton	5 Ton
Suction Line Connection Size	3/4" [19.05] I.D.				7/8" [22.23] I.D.				
Suction Line Run—Feet [m]	5/8" [15.88 mm] O.D. Optional 3/4" [19.05 mm] O.D. Standard*		5/8" [15.88 mm] O.D. Optional 3/4" [19.05 mm] O.D. Standard* 7/8" [22.23 mm] O.D. Optional		3/4" [19.05 mm] O.D. Optional 7/8" [22.23 mm] O.D. Standard*		7/8" [22.23 mm] O.D. Optional 1 1/8" [28.58 mm] O.D. Standard*		
25' [7.62]	Optional Standard Optional	1.00 1.00 —	1.00 1.00 —	1.00 1.00 1.00	1.00 1.00 —	1.00 1.00 —	1.00 1.00 —	1.00 1.00 —	1.00 1.00 —
50' [15.24]	Optional Standard Optional	.98 .99 —	.98 .99 —	.96 .98 .99	.98 .99 —	.99 .99 —	.99 .99 —	.99 .99 —	.99 .99 —
100' [30.48]	Optional Standard Optional	.95 .96 —	.95 .96 —	.94 .96 .97	.96 .97 —	.96 .98 —	.96 .98 —	.96 .98 —	.97 .98 —
150' [45.72]	Optional Standard Optional	.92 .93 —	.92 .94 —	.91 .93 .95	.94 .95 —	.94 .96 —	.95 .96 —	.95 .96 —	.94 .97 —

NOTES: *Standard line size
Using suction line larger than shown in chart will result in poor oil return and is not recommended.

[] Designates Metric Conversions

Notes

BEFORE PURCHASING THIS APPLIANCE, READ IMPORTANT ENERGY COST AND EFFICIENCY INFORMATION AVAILABLE FROM YOUR RETAILER.

GENERAL TERMS OF LIMITED WARRANTY

Rheem will furnish a replacement for any part of this product which fails in normal use and service within the applicable period stated, in accordance with the terms of the limited warranty.

*For Complete Details of the Limited Warranty, Including Applicable Terms and Conditions, See Your Local Installer or visit www.Rheem.com.

Conditional Parts* (Registration Required)	Ten (10) Years
Conditional Compressor* (Registration Required)	Ten (10) Years
Any Other Part.....	Five (5) Years

Before proceeding with installation, refer to installation instructions packaged with each model, as well as complying with all Federal, State, Provincial, and Local codes, regulations, and practices.

**Rheem Heating,
Cooling and
Water Heating**

P.O. Box 17010, Fort Smith, AR 72917



"In keeping with its policy of continuous progress and product improvement, Rheem reserves the right to make changes without notice."